

Manuals+

[Q & A](#) | [Deep Search](#) | [Upload](#)

[manuals.plus](#) /

› [ATOYX](#) /

› [ATOYX Mini Drone AT66C User Manual](#)

ATOYX AT66C

ATOYX Mini Drone AT66C User Manual

Model: AT66C

1. INTRODUCTION

This manual provides detailed instructions for the safe operation, setup, and maintenance of your ATOYX AT66C Mini Drone. Please read this manual thoroughly before operating the drone to ensure proper function and to prevent damage or injury. This drone is designed for beginners and children, featuring easy-to-use controls and stable flight characteristics.

2. SAFETY PRECAUTIONS

- **Age Recommendation:** This drone is suitable for users aged 6 and above. Adult supervision is recommended for younger users.
- **Flight Environment:** Operate the drone in open, clear areas, away from people, animals, and obstacles. Avoid flying near water, power lines, or busy roads.
- **Battery Safety:** Use only the provided charging cable and batteries. Do not overcharge or short-circuit batteries. Remove batteries from the drone and remote when not in use.
- **Propeller Safety:** Keep fingers, hair, and loose clothing away from rotating propellers. The drone includes propeller guards for added safety.
- **Water Exposure:** Do not expose the drone or remote control to water or moisture.
- **Impact Avoidance:** Avoid collisions with objects or people. Repeated impacts can damage the drone.

3. PACKAGE CONTENTS

Verify that all items are present in your package:

- ATOYX Mini Drone AT66C
- Remote Control
- Propellers (spare set included)
- USB Charging Cable
- User Manual
- Lithium Ion Batteries (3 included)

4. PRODUCT OVERVIEW

Familiarize yourself with the components of your ATOYX Mini Drone and its remote control.



Image: The ATOYX Mini Drone AT66C in green, alongside its black remote control, showcasing the compact design and basic components.

Remote Control Layout

Your browser does not support the video tag.

Video: An introduction to the ATOYX 66C remote control, detailing the function of each button and joystick for intuitive operation.

- **Left Joystick (Throttle Stick):** Controls altitude (up/down) and rotation (left/right).
- **Right Joystick (Direction Stick):** Controls forward/backward and left/right movement.
- **Headless Mode Button:** Activates headless mode, simplifying flight direction.
- **Return/LED Button:** Short press to control drone lights, long press for one-key return.
- **Fine-tuning Buttons:** Adjust drone stability during flight.

- **Power On/Off Button:** Long press to turn the remote control on or off.
- **Speed/Stunt Button:** Adjusts flight speed (3 levels) and activates 3D flip stunts.

5. SETUP

5.1 Battery Installation

Install batteries into both the remote control and the drone.

Your browser does not support the video tag.

Video: Demonstrates the correct procedure for installing batteries in both the drone and its remote control.

1. **Remote Control:** Open the battery compartment on the back of the remote control and insert 3 AAA batteries (not included, typically) according to the polarity markings. Close the compartment.
2. **Drone:** Connect the drone battery to the drone's power port. Ensure a secure connection.

5.2 Pairing the Drone and Remote

Follow these steps to pair your drone with the remote control:

1. Place the drone on a flat, level surface.
2. Power on the drone. The indicator lights will flash.
3. Long press the Power On/Off button on the remote control to turn it on. The remote's indicator light will flash, indicating pending pairing mode.
4. Push the left joystick (throttle stick) all the way up, then pull it all the way down. The drone's indicator lights will stop flashing and remain solid, indicating successful pairing.

5.3 Calibration

Calibrate the drone before each flight for optimal stability:

1. After successful pairing, push both joysticks (throttle stick and direction stick) to the lower right corner simultaneously.
2. The drone's indicator lights will flash quickly and then become solid, confirming successful calibration.

6. OPERATING THE DRONE

6.1 Basic Flight Controls

- **Take-off:** After calibration, gently push the left joystick (throttle stick) up to take off.
- **Landing:** Gently pull the left joystick (throttle stick) down to land.
- **Altitude Hold:** The drone features automatic altitude hold, maintaining its height when the throttle stick is released.
- **Forward/Backward Flight:** Push the right joystick forward or backward.
- **Left/Right Side Flight:** Push the right joystick left or right.
- **Rotation:** Push the left joystick left or right to rotate the drone.

6.2 Special Features

3 SPEED ADJUSTMENT

For Beginners and Advanced Pilots



HIGH



MIDDLE



LOW



Image: An illustration demonstrating the concept of Headless Mode, where the drone's orientation does not affect control direction.

- **Headless Mode:** Press the Headless Mode button on the remote. In this mode, the drone's front direction is irrelevant; it will always move relative to the pilot's position. Press again to exit.



Image: Visual representation of the three-speed adjustment levels (Low, Middle, High) available for the drone.

- **3 Speed Levels:** Press the Speed/Stunt button to cycle through low, medium, and high-speed modes. This allows for different flying experiences and skill levels.

Altitude Hold

Drone will lock the flight altitude



Image: The drone performing a 3D flip, illustrating its acrobatic capabilities.

- **360° Flips (Stunt Mode):** Long press the Speed/Stunt button until you hear a 'di' sound. Then, push the right joystick in any direction to perform a 360° flip.
- **One-Key Return:** Long press the Return/LED button to activate one-key return. The drone will fly back towards the remote control. Press any other direction button to cancel.
- **LED Lights:** Short press the Return/LED button to turn the drone's LED lights on or off.

7. MAINTENANCE

7.1 Charging the Battery

The drone comes with 3 batteries, providing approximately 15-20 minutes of flight time in total.



Mini Drone

Mini and portable size

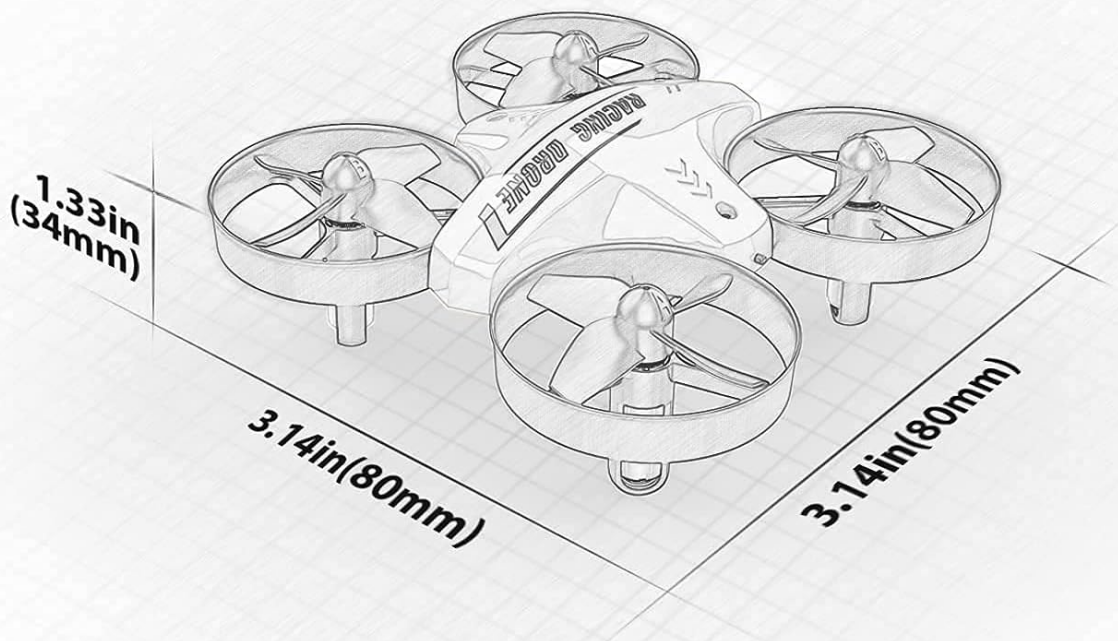


Image: An illustration showing three drone batteries and indicating a total flight time of 21 minutes.

1. When the drone's indicator light starts flashing, it signifies a low battery. Land the drone immediately.
2. Remove the battery from the drone.
3. Connect the USB charging cable to a USB adapter (e.g., phone charger, computer USB port).
4. Connect the drone battery to the charging cable. The indicator light on the USB charger will turn on while charging.
5. Once fully charged, the indicator light on the USB charger will turn off. Disconnect the battery.

7.2 Propeller Replacement

If a propeller is damaged, replace it with a spare from the package. Ensure the correct propeller (A or B) is installed on the corresponding motor.

8. TROUBLESHOOTING

- **Drone not responding:** Ensure both drone and remote are powered on, batteries are charged, and they are correctly paired and calibrated.
- **Drone unstable during flight:** Perform calibration on a flat surface. Use the fine-tuning buttons on the remote to adjust stability.

- **Drone drifts:** Recalibrate the drone. Check for any bent or damaged propellers and replace if necessary.
- **Short flight time:** Ensure batteries are fully charged. Battery performance can decrease over time; consider replacing old batteries.
- **Propellers not spinning:** Check for obstructions. Ensure propellers are securely attached and not damaged.

9. SPECIFICATIONS

Feature	Detail
Brand	ATOYX
Model Name	Mini Drone (AT66C)
Color	Green
Connectivity Technology	Infrared (IR)
Skill Level	Beginner
Item Weight	184 Grams (6.5 ounces)
Battery Capacity	0.22 Amp Hours (Lithium Ion)
Product Dimensions	3.14 x 3.14 x 1.34 inches
Control Type	Remote Control
Material	Plastic
Included Components	Propeller, Remote Control, Batteries

10. WARRANTY AND SUPPORT

For warranty information or technical support, please refer to the contact details provided with your purchase or visit the official ATOYX website. Keep your purchase receipt as proof of purchase for any warranty claims.

