

## Mount-It! MI-432

# Mount-It! RV TV Mount MI-432 Instruction Manual

Model: MI-432

## INTRODUCTION

---

This manual provides detailed instructions for the safe and proper installation, operation, and maintenance of your Mount-It! RV TV Mount, model MI-432. This mount is designed for 13-43 inch televisions weighing up to 33 lbs, offering full motion capabilities with dual wall plates for flexible indoor and outdoor use in RVs and campers.

## SAFETY INFORMATION

---

- Read all instructions before installation and use. If you do not understand these instructions or have doubts about the safety of the installation, contact a qualified installer.
- Verify that the mounting surface can safely support the combined weight of the equipment and all attached hardware.
- Use only the provided mounting hardware. Do not use the mount for any purpose not expressly specified by the manufacturer.
- Avoid installing the mount in areas prone to excessive vibration, moisture, or direct sunlight.
- Ensure all screws are tightened securely, but do not overtighten.
- Keep children and pets away during installation.

## PACKAGE CONTENTS

---

Verify that all components are present and undamaged before proceeding with installation.

- TV Mount Assembly
- 2x Wall Plates
- Mounting Hardware Kit (screws, anchors, washers)
- Built-in Bubble Level

- Cable Hook

# 1 MOUNT - 2 WALL PLATES

**INSTALL IN 2 LOCATIONS**



Slide In & Out



Image: The Mount-It! RV TV Mount components, including the main mount and two separate wall plates, illustrating the quick-release functionality for moving a TV between locations.

## SPECIFICATIONS

<b>Mounting Type</b>	Swivel RV TV Mount
<b>Movement Type</b>	Articulating, Swivel, Tilt
<b>Material</b>	Aluminum
<b>Color</b>	Black
<b>Compatible Devices</b>	Television
<b>Minimum Screen Size</b>	13 Inches
<b>Maximum Screen Size</b>	43 Inches
<b>Weight Capacity</b>	33 lbs

VESA Compatibility	75x75mm, 100x100mm, 200x100mm, 200x200mm
Maximum Tilt Angle	30 Degrees
Swivel Range	60 Degrees
Profile	2.5 Inches

# FITS SCREENS UP TO 43"



## VESA COMPATIBLE:

**75x75**

**100x100**

**200x100**

**200x200**



Image: Visual representation of the VESA mounting patterns supported by the MI-432 mount, including 75x75mm, 100x100mm, 200x100mm, and 200x200mm.



Image: Detailed dimensions of the mount, highlighting its 2.5-inch slim profile and a maximum weight capacity of 33 lbs.

## SETUP AND INSTALLATION

### Step 1: Mount the Wall Plate

1. Select a suitable location on your RV wall for the TV. Ensure the wall can support the weight of the TV and mount.
2. Hold the wall plate against the desired mounting spot. Use the built-in bubble level to ensure it is perfectly horizontal.
3. Mark the pilot holes through the wall plate onto the wall.
4. Drill pilot holes at the marked locations. Insert the provided anchors if necessary for your wall type.
5. Align the wall plate with the drilled holes, place washers over the holes, and securely screw the wall plate into place.

Video: Mount-It! Camper/RV TV Mount MI-432 Installation Guide. This video demonstrates the process of installing the wall plate and attaching the TV mount.

## Step 2: Attach Mount to TV

1. Identify the VESA mounting pattern on the back of your television. The MI-432 supports 75x75mm, 100x100mm, 200x100mm, and 200x200mm patterns.
2. Attach the TV mount assembly to the back of your television using the appropriate screws and washers from the hardware kit. Ensure the mount is centered and securely fastened.

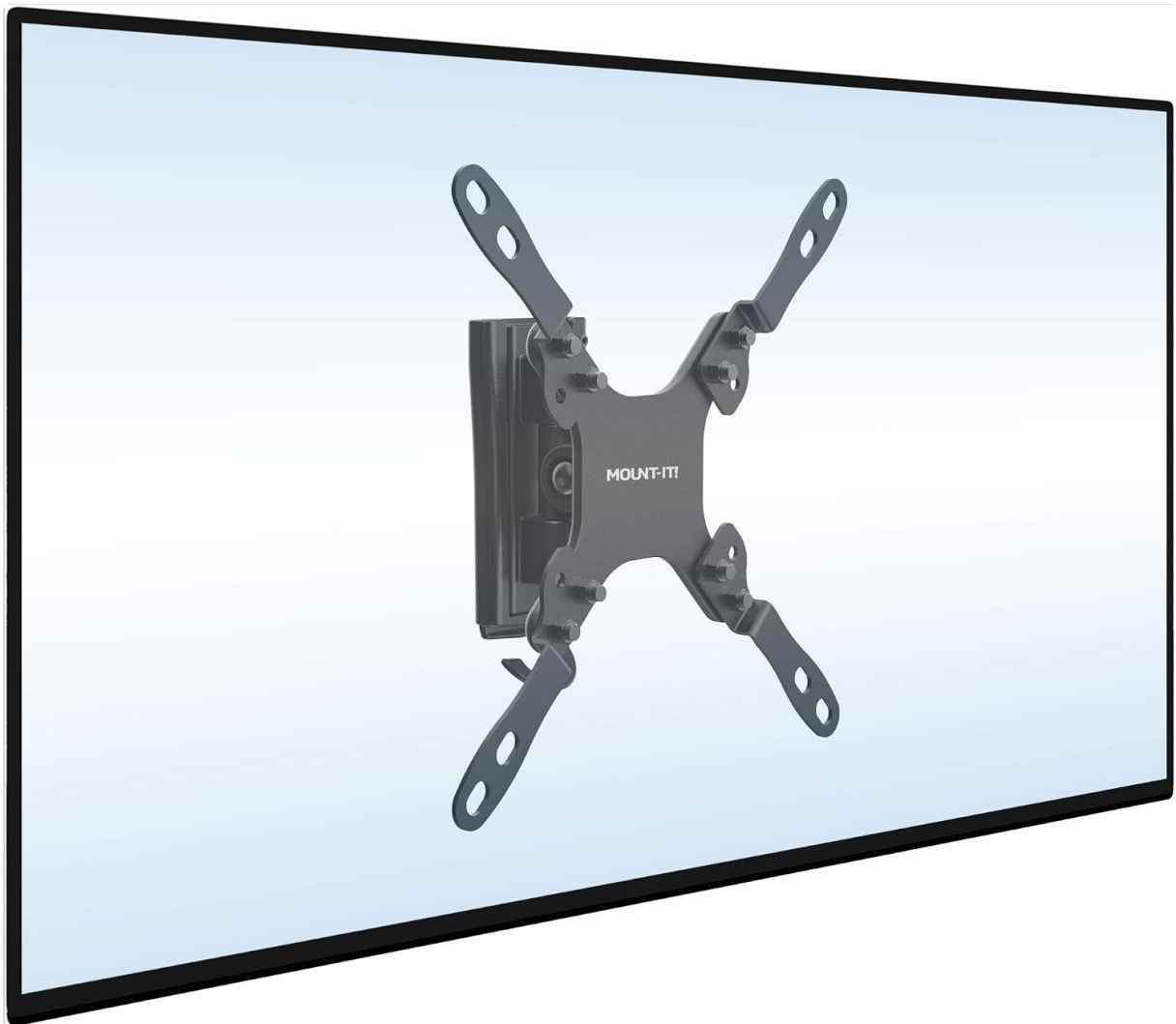


Image: A side view of the TV mount securely attached to the rear of a television, ready for connection to the wall plate.

## Step 3: Attach TV to Wall Plate

1. Carefully align the TV mount with the installed wall plate.
2. Slide the TV mount downwards onto the wall plate until it clicks into place.
3. Secure the TV by tightening the travel set screws on the mount using the provided Allen key. This prevents accidental dislodgement during travel.
4. Utilize the integrated cable hook on the wall plate to manage and organize TV cables, keeping them neat and out of the way.



Image: Close-up of the mount's features, including the dual wall plates, integrated bubble level for alignment, the slide-in bracket for easy installation/removal, and the cable hook for organization.



Image: A television securely mounted inside an RV, demonstrating the practical application of the Mount-It! RV TV Mount for indoor viewing.

## OPERATING THE MOUNT

---

### Quick Release Function

To move your TV between the two installed wall plates, simply loosen the travel set screws, slide the TV mount upwards off the wall plate, and then re-attach it to the other wall plate. Ensure the travel set screws are tightened after re-attachment.

### Tilt Adjustment

The mount allows for a tilt range of up to 30 degrees. Gently push or pull the top or bottom of the TV to achieve your desired viewing angle. The tension can be adjusted if the TV does not hold its position.

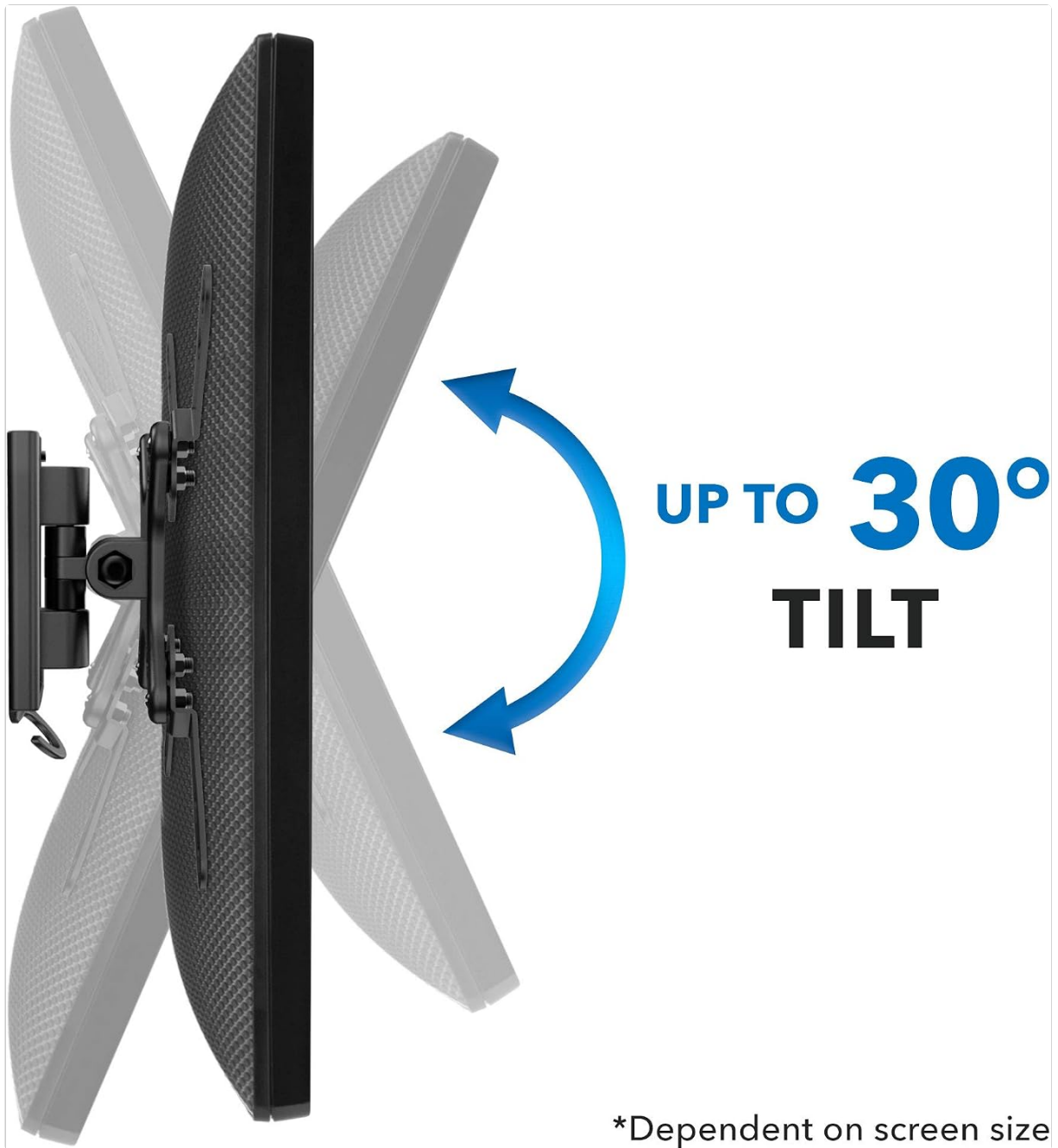
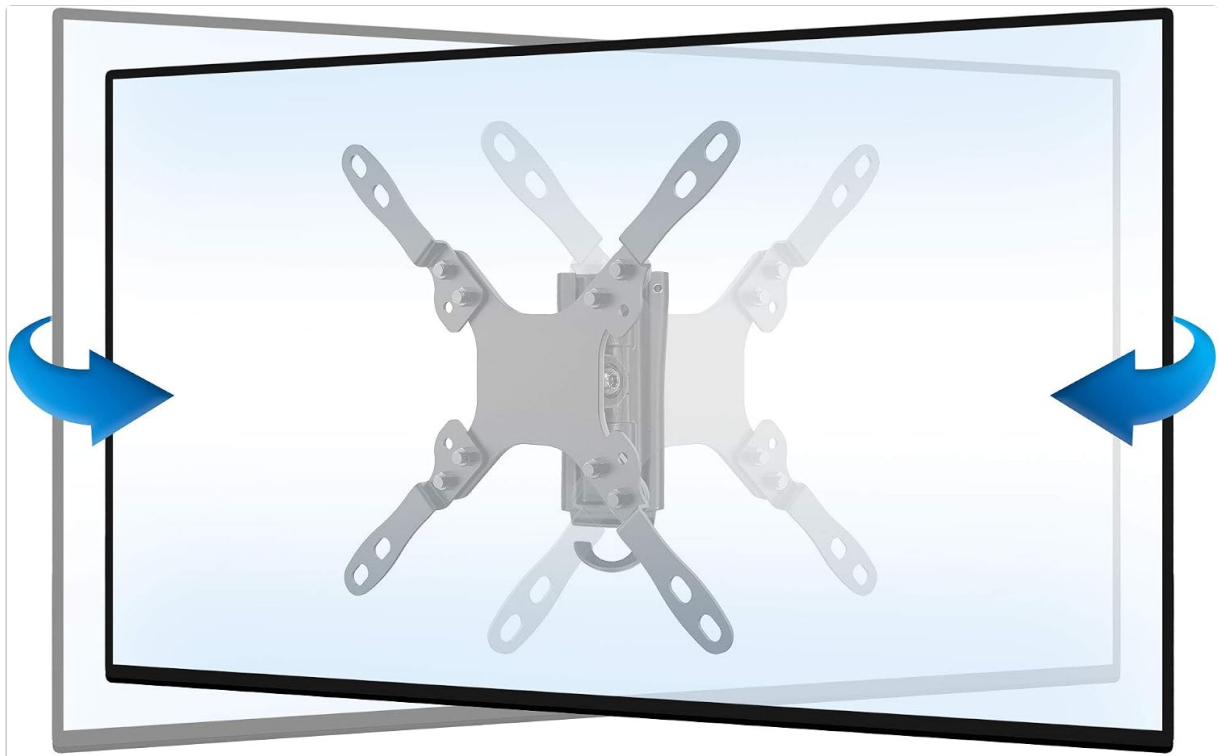


Image: Illustration demonstrating the vertical tilt adjustment of up to 30 degrees, allowing for optimal viewing angles.

### **Swivel Adjustment**

The mount provides a swivel range of up to 60 degrees. Gently rotate the TV left or right to adjust the horizontal viewing angle. The swivel range may be limited by the size of your television.



**UP TO 60°**  
**SWIVEL**

\*Dependent on screen size

Image: Illustration demonstrating the horizontal swivel adjustment of up to 60 degrees, providing flexibility for various viewing positions.

Video: Mount-It! RV Camper TV Mount MI-432 Features. This video highlights the key features of the mount, including its easy installation, quick-release mechanism, cable management, and adjustable tilt and swivel functions.

## MAINTENANCE

---

- Regularly inspect the mount and all fasteners for signs of wear, damage, or loosening. Tighten any loose screws.
- Clean the mount with a soft, damp cloth. Avoid abrasive cleaners or solvents.
- For outdoor use, periodically check for rust or corrosion, especially in humid environments. The rustproof aluminum construction is designed to resist these, but inspection is recommended.

## TROUBLESHOOTING

---

### TV does not slide onto wall plate easily:

- Ensure the wall plate is installed level.
- Check for any obstructions or debris in the sliding mechanism.
- Verify that the travel set screws are fully loosened.

**TV does not hold its tilt/swivel position:**

- The pivot joints may need to be tightened. Refer to the installation video or contact support for guidance on adjusting tension.
- Ensure the TV weight does not exceed the 33 lbs capacity.

**Mount feels unstable:**

- Recheck all mounting screws on both the wall plate and the TV mount for tightness.
- Confirm that the wall surface is structurally sound and appropriate for mounting.

**WARRANTY AND SUPPORT**

---

The Mount-It! RV TV Mount MI-432 is backed by Mount-It!'s lifetime warranty. For product registration, warranty information, support, or any questions, please visit [mount-it.com](https://www.mount-it.com) or contact their US-based technical support team.