

## Manuals+

[Q & A](#) | [Deep Search](#) | [Upload](#)

manuals.plus /

- › [Traxxas](#) /
- › [Traxxas TRX-4 Scale and Trail Crawler Instruction Manual](#)

**Traxxas 82056-4-BLUE**

# Traxxas TRX-4 Scale and Trail Crawler Instruction Manual

Model: 82056-4-BLUE | Brand: Traxxas

## 1. INTRODUCTION

---

This manual provides essential information for the setup, operation, and maintenance of your Traxxas TRX-4 Scale and Trail Crawler. The TRX-4 is engineered for extreme off-road capability, featuring advanced technologies to conquer challenging terrains. Please read this manual thoroughly before operating your vehicle to ensure safe and optimal performance.



Figure 1.1: The Traxxas TRX-4 Scale and Trail Crawler with Land Rover Defender body.

## 2. WHAT'S IN THE BOX

---

Upon unboxing your Traxxas TRX-4, verify that all components are present:

- Traxxas TRX-4 Scale and Trail Crawler (Land Rover Defender body)
- Lithium-Ion Battery
- TQi 2.4GHz 4-Channel Remote Control
- Instruction Manual (this document)
- Basic Tool Set (may vary by package)

## 3. INITIAL SETUP

---

### 3.1 Battery Installation and Charging

Ensure the included Lithium-Ion battery is fully charged before first use. Refer to the separate charger instructions for proper charging procedures. Once charged, carefully install the battery into the designated battery compartment on the vehicle chassis, securing it with the provided battery strap or clips.

### 3.2 Transmitter Preparation

Install four AA batteries (not included) into the TQi 2.4GHz 4-Channel remote control. Power on the transmitter first, then the vehicle. The transmitter and receiver are factory-linked. If re-linking is necessary, consult the detailed instructions in the full owner's manual available on the Traxxas website.



Figure 3.1: TQi 2.4GHz 4-Channel Remote Control for the TRX-4.

## 4. OPERATING YOUR TRX-4

---

### 4.1 Driving Modes: High-Range and Low-Range

The TRX-4 features a two-speed transmission, allowing you to switch between high-range for faster trail driving and low-range for maximum torque and control during technical crawling. Use the dedicated switch on your TQi transmitter to engage the desired gear. Low-range provides precise control for navigating obstacles, while high-range offers increased speed for open terrain.

## 4.2 Steering and Maneuverability

The TRX-4 is designed with an impressive 45-degree steering angle, enabling tight turns and superior maneuverability in confined spaces. This feature is crucial for navigating complex rock crawling courses and tight trails.



Figure 4.1: Illustration of the 45-degree steering angle for enhanced maneuverability.

## 4.3 Locking Differentials

For ultimate traction on uneven surfaces, the TRX-4 is equipped with remote-locking front and rear differentials. When locked, both wheels on an axle spin at the same rate, providing maximum power to the wheel with traction. This is essential for climbing steep inclines and overcoming challenging obstacles. The differentials can be unlocked for improved turning radius on less demanding terrain.

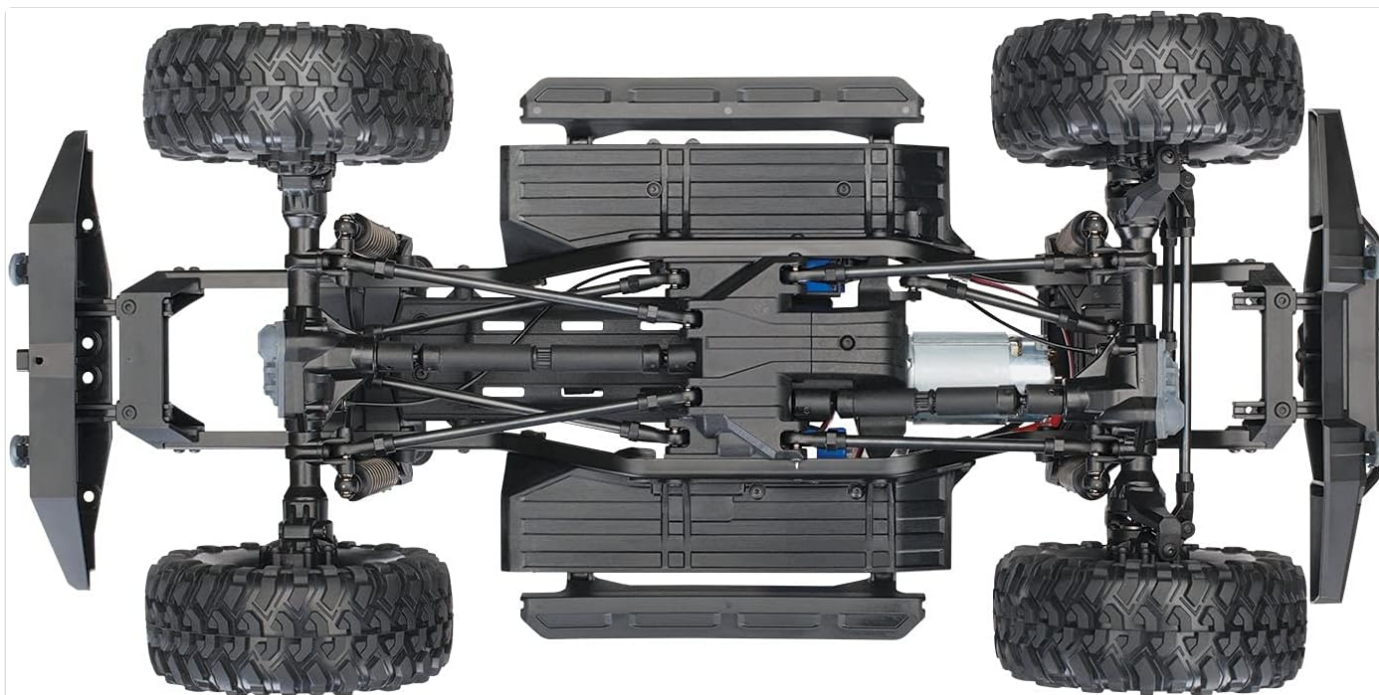


Figure 4.2: Top-down view of the TRX-4 chassis, highlighting the robust drivetrain and differential system.

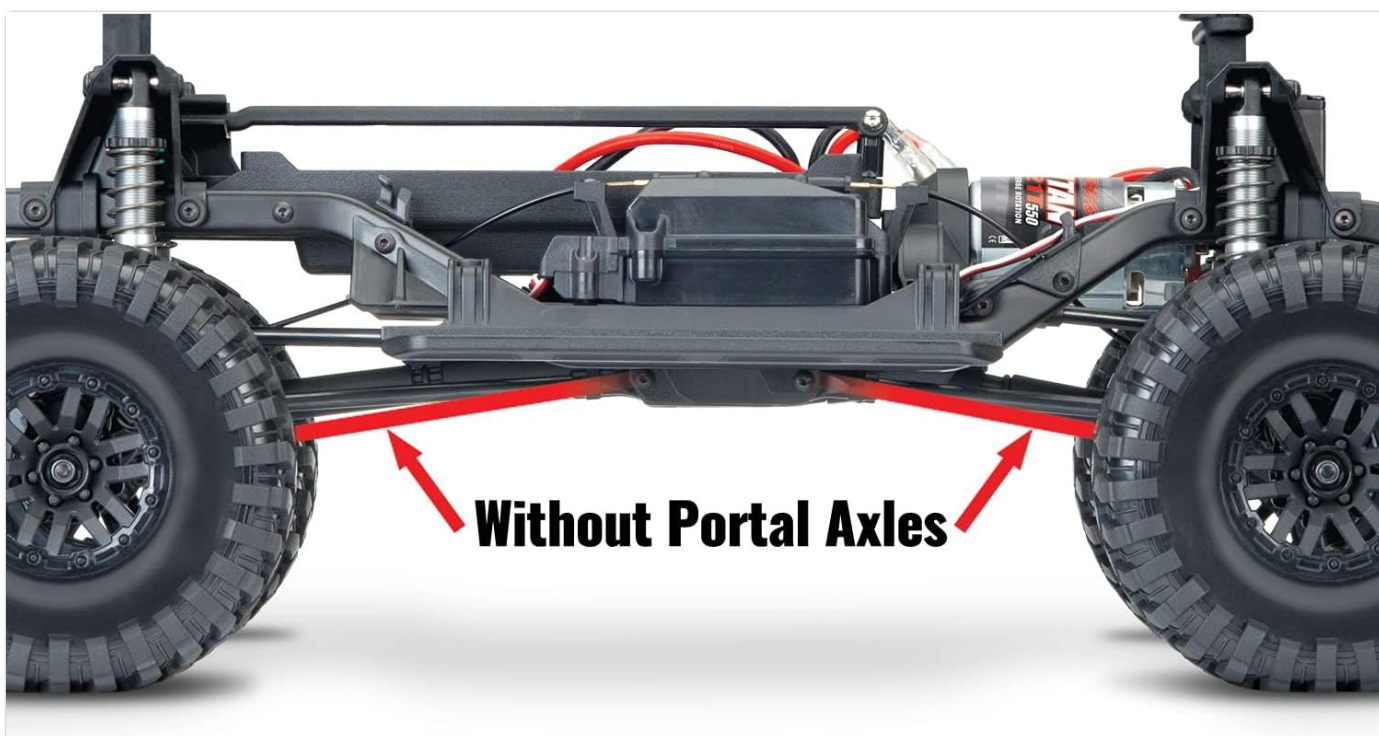


Figure 4.3: Side view illustrating the chassis design, which allows for excellent ground clearance and articulation.

## 5. MAINTENANCE

---

Regular maintenance ensures the longevity and performance of your TRX-4.

### 5.1 Cleaning

After each use, especially in dirty or wet conditions, clean your vehicle. The TRX-4 features waterproof electronics, allowing for rinsing with low-pressure water. Avoid high-pressure sprays directly on electronics. Use a soft brush to remove caked-on dirt. Dry thoroughly before storage.

### 5.2 Battery Care

Always store Lithium-Ion batteries in a cool, dry place. Do not store fully charged or fully discharged for extended periods.

Follow manufacturer guidelines for charging and storage to prevent damage and ensure safety.

### 5.3 Component Inspection

Periodically inspect all screws, nuts, and bolts for tightness. Check suspension components, driveshafts, and steering linkages for wear or damage. Lubricate moving parts as recommended by Traxxas. Ensure tires are free of debris and properly mounted.

## 6. TROUBLESHOOTING

---

Problem	Possible Cause	Solution
Vehicle not responding	Low battery (vehicle or transmitter), transmitter/receiver not linked, power switch off.	Charge/replace batteries, re-link transmitter/receiver, ensure power is on.
Poor steering response	Damaged steering servo, loose steering linkages, low battery.	Inspect/replace servo, tighten linkages, charge battery.
Motor not running	ESC thermal shutdown, motor connection issues, damaged motor.	Allow ESC to cool, check all connections, inspect motor for damage.

For more detailed troubleshooting, refer to the complete owner's manual or contact Traxxas customer support.

## 7. SPECIFICATIONS

---

**Brand:** Traxxas

**Model:** 82056-4-BLUE

**Product Dimensions:** 25.56 x 10.25 x 12.13 inches

**Item Weight:** 7.43 pounds

**Motor:** Titan 21T 550 (Brushed)

**Electronic Speed Control (ESC):** XL-5 HV 3S (Waterproof)

**Differentials:** Remote Locking Front and Rear

**Transmission:** Two-Speed (High/Low Range)

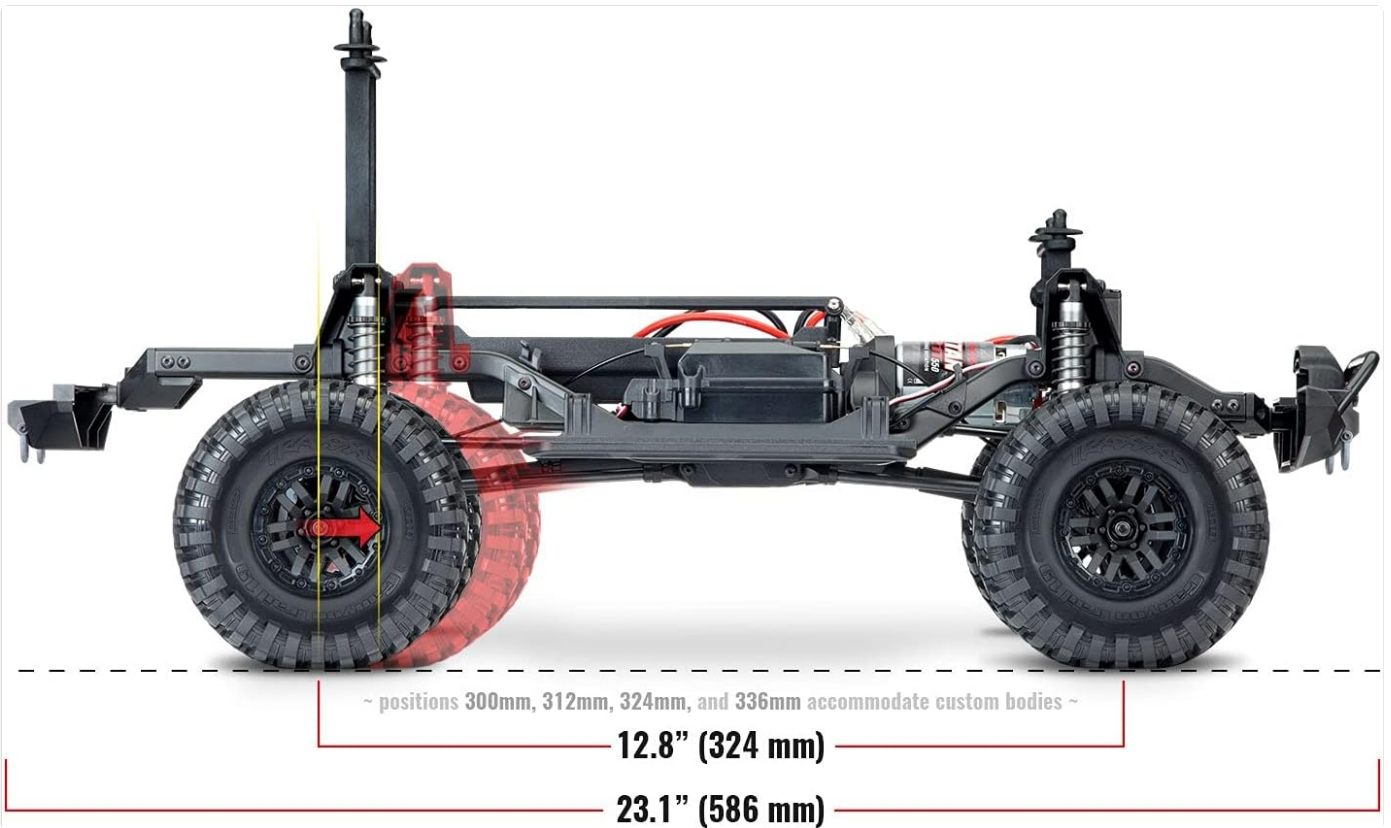


Figure 7.1: Side profile of the TRX-4 illustrating key dimensions.



Figure 7.2: The XL-5 HV 3S Electronic Speed Control, designed for robust performance.



Figure 7.3: The powerful Titan 21T 550 motor, providing reliable torque.



Figure 7.4: Detailed view of a GTS shock absorber, engineered for smooth suspension travel.

## 8. WARRANTY AND SUPPORT

---

For detailed warranty information, product registration, and technical support, please visit the official Traxxas website. You can also find FAQs, parts diagrams, and additional resources to assist you with your TRX-4.

[Visit Traxxas Support Website](#)

