

[Manuals.plus](#) /

> [Aipsun](#) /

> Aipsun 15.8-inch Black Modern LED Vanity Light Instruction Manual (Model A065)

## Aipsun A065

# Aipsun 15.8-inch Black Modern LED Vanity Light Instruction Manual

Model: A065 | Brand: Aipsun

[Information](#)   [Installation](#)   [Operation](#)   [Product Overview](#)   [Safety](#)   [Maintenance](#)   [Troubleshooting](#)   [Specifications](#)   [Warranty & Support](#)

## PRODUCT OVERVIEW

The Aipsun 15.8-inch Black Modern LED Vanity Light is designed for bathroom wall lighting fixtures, offering both up and down light output. It features a minimalist design with soft light diffusion, suitable for various interior decorations. This energy-efficient fixture utilizes SMD2835 LED technology, providing stable and efficient illumination with a long lifespan.

### Key Features:

- **Modern and Minimalist Design:** Provides up and down light output with soft diffusion.
- **Energy-saving LED Technology:** Built-in 70 pcs SMD2835 LEDs (14W, 1820 Lumens, CRI 85) save up to 80% electricity with a lifespan of up to 50,000 hours.
- **Easy Installation:** Hardwired design, suitable for US junction box standards. No switch or cord on the fixture.
- **Safety Features:** Equipped with an IC card constant current driver, short circuit protection, intelligent control circuit, overload protection, and stable current.
- **Dimensions:** Length 15.75 inches, width 5.5 inches, extends 1.37 inches from the wall.

## Horizontal Installation



## Vertical Installation



Image: The Aipsun 15.8-inch Black Modern LED Vanity Light installed horizontally above a bathroom mirror, showcasing its up and down illumination.

### Product Overview Video:

Your browser does not support the video tag.

Video: This video provides a closer look at the Aipsun Black Modern Vanity Light, demonstrating its design and how it appears when installed in a bathroom setting.

## SAFETY INFORMATION

Please read and understand all instructions before beginning installation. Failure to do so may result in electric shock, fire, or other injuries that could be fatal or cause property damage.

- Always turn off the power at the main circuit breaker before installing or servicing the fixture.
- Consult a qualified electrician if you are unsure about the installation process.
- Ensure all electrical connections are made in accordance with local codes, ordinances, and the National Electric Code

(NEC).

- Do not attempt to alter the fixture in any way.
- This fixture is designed for indoor use only.
- The LED light source is non-removable. Do not attempt to replace the LEDs.

## INSTALLATION INSTRUCTIONS

This fixture is designed for hardwired installation and is suitable for standard US junction boxes. Ensure power is OFF before proceeding.

### Tools Required (Not Included):

- Screwdriver (Phillips and Flathead)
- Wire Strippers
- Electrical Tape
- Pliers
- Safety Glasses

### Step-by-Step Installation:

1. **Prepare the Mounting Surface:** Ensure the power is turned off at the circuit breaker. Remove any existing fixture and its mounting hardware from the junction box.
2. **Attach the Mounting Bracket:** Secure the mounting bracket (part 2 in diagram) to the junction box (part 1) using the provided screws. Ensure the bracket is firmly attached and level.
3. **Make Electrical Connections:**
  - Connect the ground wire from the fixture to the ground wire from the junction box using a wire nut.
  - Connect the white (neutral) wire from the fixture to the white (neutral) wire from the junction box using a wire nut.
  - Connect the black (live) wire from the fixture to the black (live) wire from the junction box using a wire nut.
  - Ensure all connections are secure and insulated with electrical tape if necessary.
4. **Mount the Fixture:** Carefully align the fixture (part 5) with the mounting bracket. Secure the fixture to the bracket using the small screws (part 4) provided. These screws are typically located on the top or bottom edge of the fixture for a seamless look.
5. **Restore Power:** Once the fixture is securely mounted and all connections are checked, restore power at the main circuit breaker.

# So Easy to Install

Suitable for USA Standard Electric Box

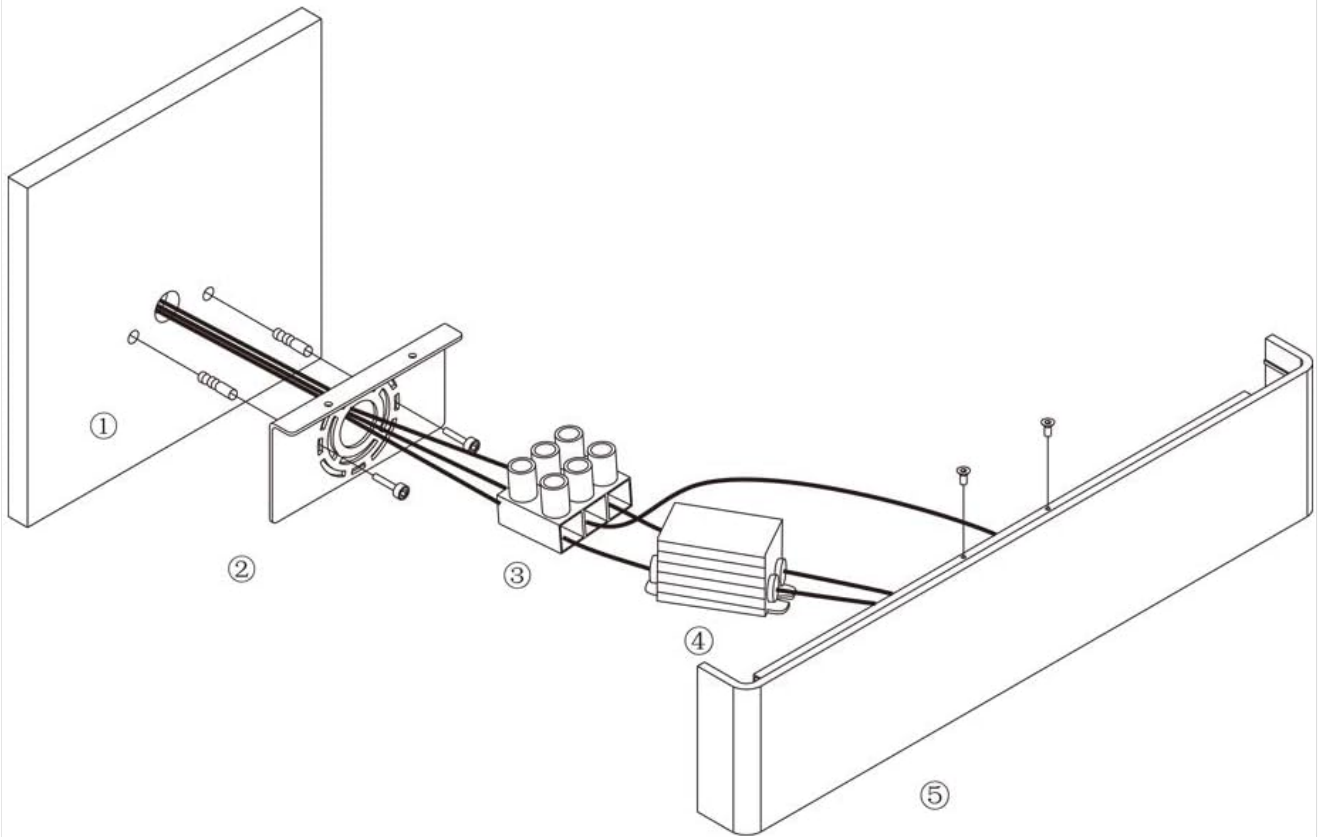


Image: Detailed installation diagram illustrating the connection of the fixture to a standard US junction box.

## Installation Orientation:

The Aipsun LED Vanity Light can be installed either horizontally or vertically to suit your aesthetic and lighting needs.



Image: Visual representation of the light fixture installed horizontally and vertically, demonstrating the up and down light effect in both orientations.

## Installation Video:

Your browser does not support the video tag.

Video: This video demonstrates the installation process of the Aipsun LED Vanity Light, showing how to mount it and connect the wiring. It highlights the ease of installation for a modern bathroom setup.

## OPERATING INSTRUCTIONS

The Aipsun LED Vanity Light is designed for simple operation.

- **Power On/Off:** Control the light fixture using a standard wall switch connected to the electrical circuit.
- **Non-Dimmable:** This fixture is designed for instant on/off functionality and is not dimmable.
- **Light Color:** The fixture emits a cool white light (5000 Kelvin).

## MAINTENANCE

To ensure the longevity and optimal performance of your Aipsun LED Vanity Light, follow these simple maintenance guidelines:

- **Cleaning:** Turn off the power before cleaning. Use a soft, dry cloth to wipe the exterior of the fixture. Do not use abrasive cleaners, solvents, or polishes as they may damage the finish.
- **LED Longevity:** The integrated LED light source has a lifespan of up to 50,000 hours and does not require replacement.
- **Inspection:** Periodically check the fixture for any signs of damage or loose connections. If any issues are found, turn off the power and consult a qualified electrician.

## TROUBLESHOOTING

If you experience issues with your Aipsun LED Vanity Light, refer to the following common problems and solutions:

Problem	Possible Cause	Solution
Light does not turn on.	No power to the fixture. Loose wire connections. Faulty wall switch.	Check circuit breaker and wall switch. Turn off power, check and secure all wire connections. Test or replace the wall switch.
Light flickers.	Loose wire connections. Incompatible dimmer switch (fixture is non-dimmable).	Turn off power, check and secure all wire connections. Ensure no dimmer switch is being used with this non-dimmable fixture.
Light is too dim.	Incorrect expectation of brightness. Power supply issue.	Verify the fixture's lumen output (1820 Lumens) meets your needs. Consult a qualified electrician to check the power supply.

If problems persist after attempting these solutions, please contact customer support.

## PRODUCT SPECIFICATIONS

Feature	Detail
Brand	Aipsun
Model Number	A065
ASIN	B0897F4MJ3
UPC	717049195276
Dimensions (L x W x H)	15.75"L x 5.5"W x 1.37"H
Color	Black
Material	Acrylic, Aluminum

Feature	Detail
Style	Modern
Room Type	Bathroom
Indoor/Outdoor Usage	Indoor
Power Source	Hardwired
Light Source	LED (SMD2835)
Number of LEDs	70
Wattage	14 Watts
Voltage	110 Volts
Brightness	1820 Lumens
Color Temperature	5000 Kelvin (Cool White)
CRI	85
Lighting Method	Up/Down Light
Control Method	Wall Switch (Not Dimmable)
Lifespan	Up to 50,000 hours

## WARRANTY & SUPPORT

Aipsun products are manufactured with quality and durability in mind. For specific warranty details, please refer to the product packaging or contact Aipsun customer service directly.

**Return Policy:** This product is eligible for a 30-day return period from the date of purchase.

**Extended Protection Plans:** Optional extended protection plans (e.g., 3-Year, 4-Year, or Complete Protect) may be available for purchase separately. These plans are not provided by the manufacturer and offer additional coverage beyond the standard warranty.

For technical assistance or customer support, please visit the Aipsun Store or contact their support channels.

Aipsun Store: <https://www.amazon.com/stores/Aipsun/page/0B9EB8EF-ED48-49D3-ADF0-FAEA82B19754>