



[Manuals.plus](#) /

› [SANKINS](#) /

› SANKINS Self-Closing Gate Hinges Instruction Manual

## SANKINS B0897CH8RH

# SANKINS Self-Closing Gate Hinges Instruction Manual

Model: B0897CH8RH | Brand: SANKINS

## INTRODUCTION

---

Thank you for choosing SANKINS Self-Closing Gate Hinges. These heavy-duty hinges are designed for durability and convenience, providing automatic gate closure for wooden, vinyl, and PVC fences. This manual provides detailed instructions for proper installation, adjustment, and maintenance to ensure optimal performance and longevity of your gate hardware.

## PRODUCT OVERVIEW

---



Figure 1: Two SANKINS self-closing gate hinges, along with the included vinyl installation screws and an adjuster tool.

# Adjustable Width

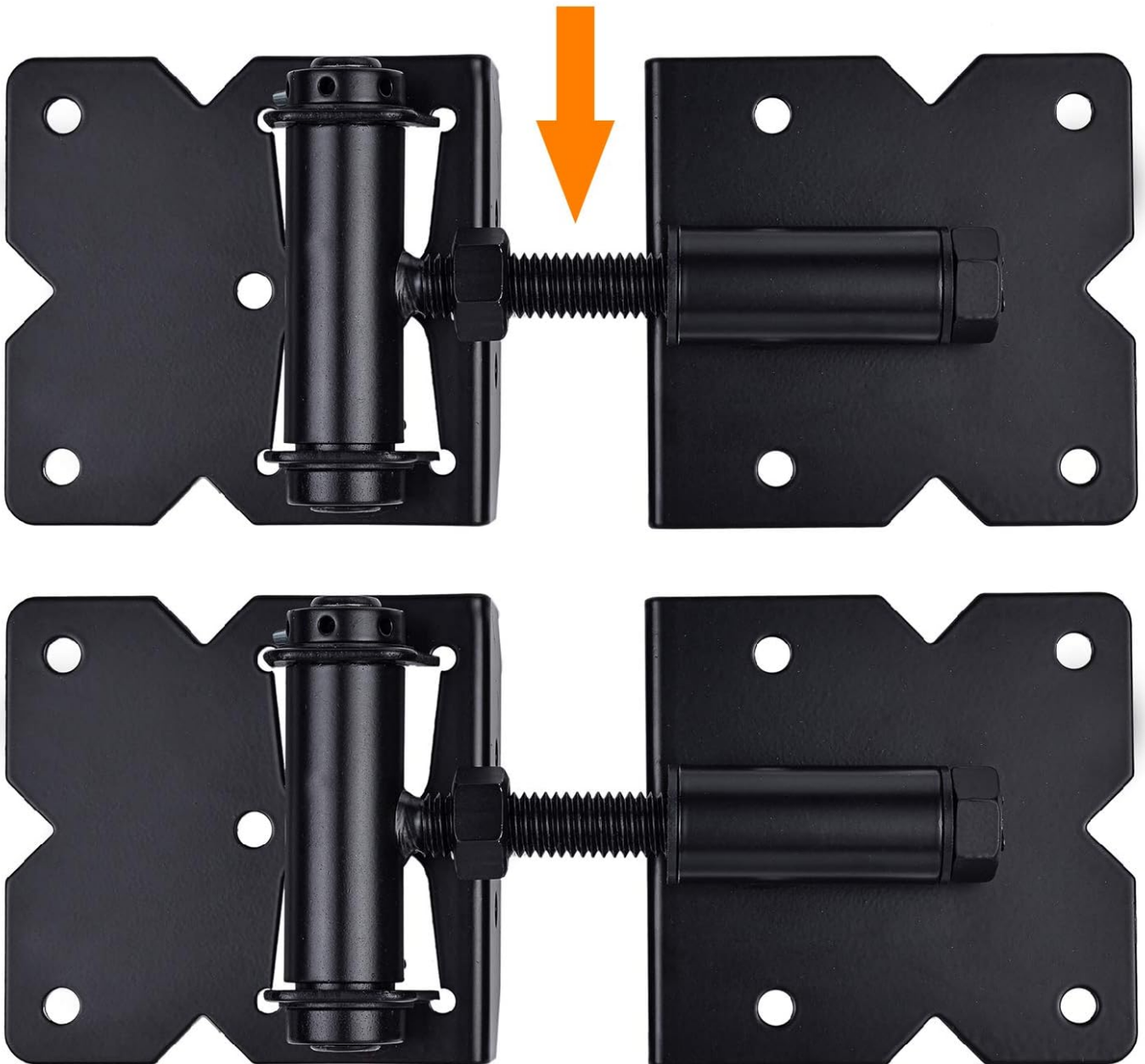


Figure 2: Close-up of a SANKINS gate hinge highlighting the adjustable width mechanism.

# Self Closing Mechanism



Figure 3: Detailed view of the self-closing spring mechanism on the hinge.

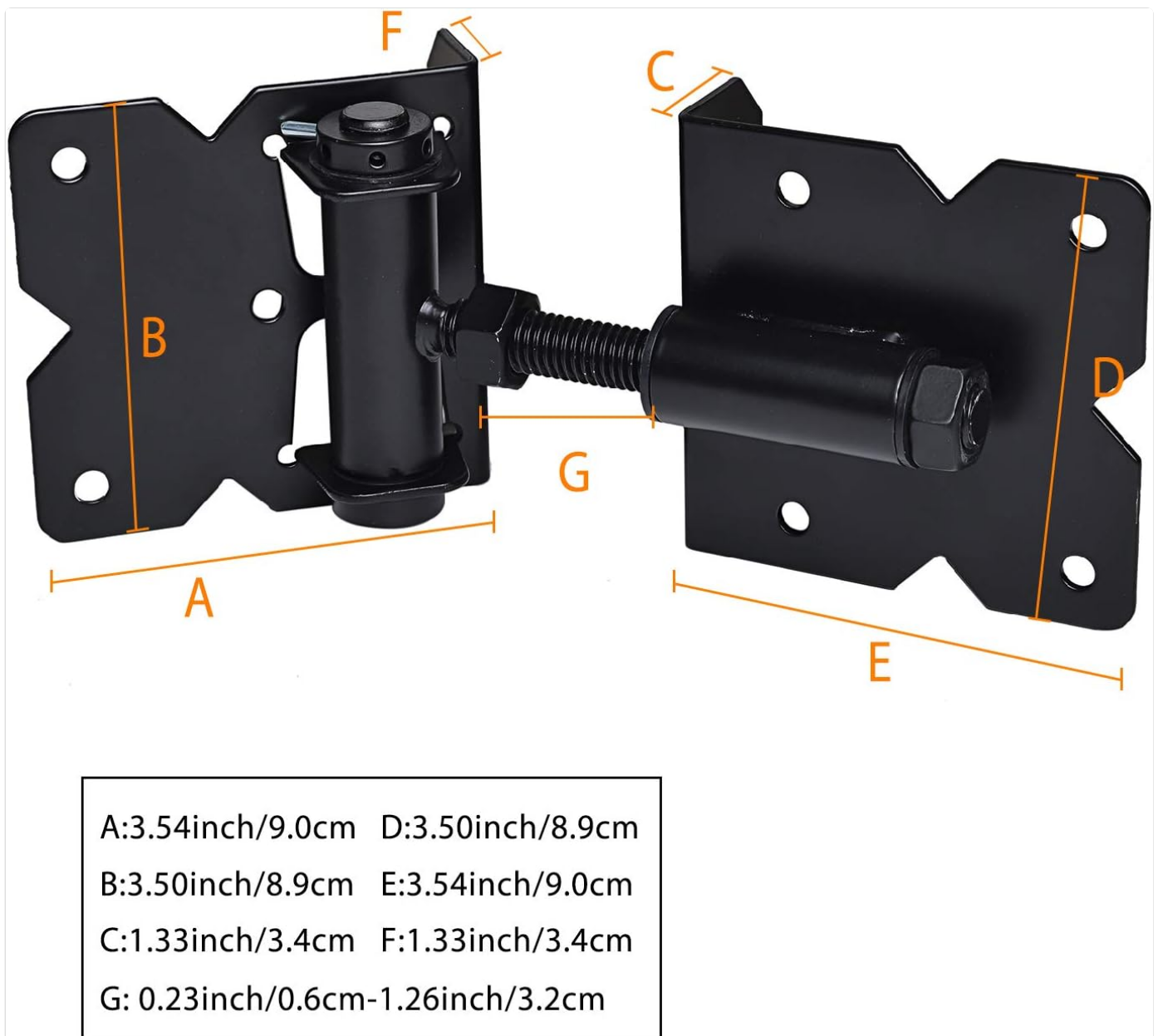


Figure 4: Diagram illustrating the key dimensions of the SANKINS gate hinges, including adjustable gap range.

### Package Contents:

- 2 Pair x Self Closing Gate Hinges
- 22 x Vinyl Installation Screws (1 inch / 2.5cm self-tapping metal screws)
- 1 x Adjuster Tool

*Note: Wood screws are not included and must be purchased separately if installing on a wooden fence.*

### SETUP & INSTALLATION

The SANKINS Self-Closing Gate Hinges are designed for straightforward installation. Follow these steps for proper setup:

1. **Prepare the Gate and Post:** Ensure the gate and post surfaces are clean and free of debris. Position the gate in place and mark the desired attachment points for the hinges on both the gate and the post.
2. **Adjust the Hinge Gap:** The hinges feature an adjustable gap from 0.23" to 1.25" between the gate post and gate frame. Loosen the screw on the hinge to slide the two parts of the hinge in or out to achieve the desired distance. Once the correct gap is set, tighten the screw to secure the hinge in place.
3. **Attach Hinges to Post:** Using appropriate screws (included vinyl screws for vinyl/PVC, or separate wood screws for wood), attach one side of each hinge to the gate post. Ensure the hinges are aligned vertically and securely

fastened.

4. **Attach Hinges to Gate:** Align the gate with the attached hinges on the post. Attach the other side of each hinge to the gate. Ensure the hinges are level and the gate swings freely.
5. **Directional Opening:** These hinges are designed to open in one direction only. Ensure you attach them in a way that allows the gate to open in your desired direction.

## Installation Video Guide:

Your browser does not support the video tag.

**Video 1:** A detailed guide on installing SANKINS Self-Closing Heavy Duty Gate Hinges, demonstrating the process and key considerations.

## OPERATING & ADJUSTMENT

---

After installation, you may need to adjust the spring tension to control the gate's closing speed and force.

1. **Locate Adjustment Holes:** On the hinge, you will find a series of small holes around the top of the hinge pin.
2. **Insert Adjuster Tool:** Insert the included adjuster tool (pin) into one of these holes.
3. **Adjust Tension:** Twist the adjuster tool to increase or decrease the spring tension. Moving the pin to a different hole will hold the new tension setting.
4. **Test Closure:** Open the gate and allow it to close automatically. Adjust the tension as needed until the gate closes smoothly and securely at your desired speed.

## MAINTENANCE

---

To ensure the longevity and optimal performance of your SANKINS gate hinges, regular maintenance is recommended:

- **Cleaning:** Periodically clean the hinges to remove dirt, dust, and debris that may accumulate. Use a damp cloth and mild soap if necessary.
- **Lubrication:** Apply a silicone-based lubricant to the hinge pins and moving parts annually, or more frequently in harsh weather conditions, to ensure smooth operation.
- **Inspection:** Regularly inspect the hinges for any signs of wear, damage, or rust. The high-strength galvanized steel with powder coating is designed for rust resistance, but extreme conditions may require attention.
- **Tighten Fasteners:** Check all screws and bolts periodically and tighten them if they have loosened over time to maintain secure attachment.

## TROUBLESHOOTING

---

If you encounter any issues with your SANKINS Self-Closing Gate Hinges, refer to the following common problems and solutions:

Problem	Possible Cause	Solution
Gate does not close fully or closes too slowly.	Insufficient spring tension. Obstruction in gate path.	Increase spring tension using the adjuster tool. Clear any obstructions from the gate's closing path.
Gate slams shut.	Excessive spring tension.	Decrease spring tension using the adjuster tool.
Gate is sagging or misaligned.	Loose mounting screws. Incorrect hinge gap.	Tighten all mounting screws on both the gate and post. Re-adjust the hinge gap as described in the Setup section.

Problem	Possible Cause	Solution
Hinges are squeaking.	Lack of lubrication.	Apply a silicone-based lubricant to the hinge pins and moving parts.

## SPECIFICATIONS

---

- **Material:** Steel
- **Product Dimensions:** 3.5"L x 3.54"W
- **Finish Type:** Powder Coated
- **Mounting Type:** Door Mount
- **Hole Count:** 7
- **Unit Count:** 2 Count (per set)
- **Item Weight:** 3.27 pounds
- **Color:** Black
- **Style:** Self-Closing
- **Adjustable Gap:** 0.23" - 1.25" between gate post and gate frame

## SUPPORT

---

SANKINS is committed to providing high-quality products and excellent customer service. If you have any questions about the product, installation, or require further assistance, please do not hesitate to contact us. We offer 24-hour online service to address your inquiries.

Enjoy better DIY home improvement by choosing SANKINS!