

vidaXL 801089

vidaXL White Corner Desk User Manual

Model: 801089

1. INTRODUCTION

Thank you for choosing the vidaXL White Corner Desk. This manual provides essential information for the safe assembly, operation, and maintenance of your new desk. Designed for practicality and durability, this corner desk offers ample storage and a comfortable workspace, ideal for various settings from home offices to dorm rooms. Please read this manual thoroughly before beginning assembly and keep it for future reference.



Image: The vidaXL White Corner Desk integrated into a modern home office environment, showcasing its L-shape design and storage capabilities.

2. SAFETY INFORMATION

- **Read All Instructions:** Ensure you understand all assembly steps and safety warnings before proceeding.
- **Two-Person Assembly Recommended:** Due to the size and weight of the components, assembly is easier and safer with two people.
- **Keep Children and Pets Away:** During assembly, keep small children and pets away from the work area to prevent injury from small parts or tools.
- **Use on a Flat Surface:** Assemble the desk on a clean, flat, and soft surface (e.g., carpet) to prevent scratching the components.
- **Do Not Overtighten Screws:** Overtightening can damage the engineered wood material. Tighten fasteners firmly but gently.
- **Check Stability:** After assembly, ensure the desk is stable and all connections are secure before use.
- **Weight Capacity:** Do not overload the desk or shelves. Distribute weight evenly.

3. PACKAGE CONTENTS

Before starting assembly, verify that all components and hardware are present and undamaged. If any parts are missing or damaged, please contact customer support immediately.

Expected Components:

- Engineered wood panels for desktop, side panels, back panels, and shelves.
- Drawer components (fronts, sides, backs, bottoms).
- Drawer slides and hardware.
- Assembly hardware (screws, dowels, cam locks, etc.).
- Instruction manual (this document).

Note: While parts are generally not individually labeled, refer to the diagrams in the assembly instructions to identify each component by its shape and dimensions.

4. SETUP (ASSEMBLY INSTRUCTIONS)

Assembly of the vidaXL White Corner Desk requires careful attention to detail. Please follow the included graphical instructions step-by-step. It is highly recommended to have a second person assist with the assembly process.

Tools Required (Not Included):

- Phillips head screwdriver
- Hammer (for dowels)
- Measuring tape (optional, for verification)

General Assembly Steps:

1. **Unpack and Identify Parts:** Lay out all components on a soft, clean surface. Refer to the assembly diagrams to identify each piece. Pay close attention to the orientation of panels.
2. **Assemble Base Units:** Begin by assembling the two main storage units that form the base of the L-shape. This typically involves attaching side panels to bottom and top panels using dowels and cam locks.
3. **Install Drawer Slides:** Attach the drawer slides to the interior of the storage units as indicated in the diagrams. Ensure they are level and aligned.
4. **Assemble Drawers:** Construct the drawers by attaching the sides, back, and bottom to the drawer front. Install the corresponding drawer slides onto the assembled drawers.
5. **Attach Shelves:** Insert fixed or adjustable shelves into their designated slots within the storage units.
6. **Connect Desktop Panels:** Carefully align and attach the desktop panels to the assembled base units. This step often requires two people to ensure proper alignment and prevent damage.
7. **Insert Drawers:** Once the main structure is complete, slide the assembled drawers into their respective compartments.
8. **Final Checks:** Verify that all screws and fasteners are tightened, and the desk is stable and level. Adjust as necessary.



Image: A clear front view of the fully assembled vidaXL White Corner Desk, highlighting its clean lines and integrated storage.

5. OPERATING THE DESK

The vidaXL White Corner Desk is designed for functional use in various settings. Its features include:

- **Work Surface:** The spacious L-shaped desktop provides ample room for a computer, monitor, and other work essentials.
- **Drawers:** The desk features 4 smooth-gliding drawers (2 on each side) for organized storage of office supplies, documents, and personal items. Pull the handles gently to open and push to close.
- **Shelves with Doors:** Two shelves with doors offer concealed storage, keeping your workspace tidy and clutter-free.
- **Open Shelves:** Two open shelves provide easy access storage for books, binders, or decorative items.



Image: The desk shown with various items on its surface and within its storage compartments, demonstrating its practical use.



Image: A side view of the desk, highlighting the open shelving unit and its capacity for storing books and other items.

6. MAINTENANCE

To ensure the longevity and appearance of your vidaXL White Corner Desk, follow these maintenance guidelines:

- **Cleaning:** Wipe the surface with a clean, damp cloth. Avoid using harsh chemicals, abrasive cleaners, or polishes that may damage the finish.
- **Spills:** Immediately wipe up any spills to prevent moisture damage to the engineered wood.
- **Heat and Moisture:** Avoid placing hot items directly on the surface. Use coasters or protective pads. Keep the desk away from excessive moisture or direct sunlight, which can cause warping or discoloration.
- **Regular Checks:** Periodically check all fasteners and tighten them if necessary to maintain stability.

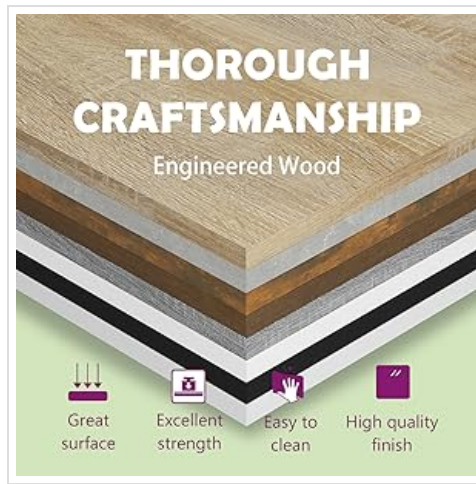


Image: A graphic highlighting the quality features of the engineered wood material used in the desk, including its surface, strength, ease of cleaning, and finish.

7. TROUBLESHOOTING

If you encounter issues during assembly or use, refer to the following common problems and solutions:

Problem	Possible Cause	Solution
Difficulty identifying parts.	Parts are not individually labeled.	Refer closely to the assembly diagrams, matching parts by shape, size, and pre-drilled holes. Lay out all parts before starting.
Desk is wobbly after assembly.	Fasteners are not fully tightened or unevenly tightened.	Check all screws, cam locks, and dowel connections. Tighten them firmly but do not overtighten. Ensure the desk is on a level surface.
Drawers do not slide smoothly.	Drawer slides are misaligned or not properly installed.	Remove the drawer and re-check the installation of the drawer slides on both the drawer and the desk frame. Ensure they are level and parallel.
Missing or damaged parts.	Packaging error or transit damage.	Do not proceed with assembly. Contact vidaXL customer support immediately with your product model number and details of the missing/damaged part.

8. SPECIFICATIONS

Feature	Detail
Brand	vidaXL
Model Number	801089

Feature	Detail
Color	White
Material	Engineered Wood
Product Dimensions (L x W x H)	145 x 100 x 76 cm (57.1" x 39.4" x 29.9")
Item Weight	52.3 Kilograms
Storage Features	4 drawers, 2 shelves with doors, 2 open shelves
Design	Corner Desk, Computer Desk

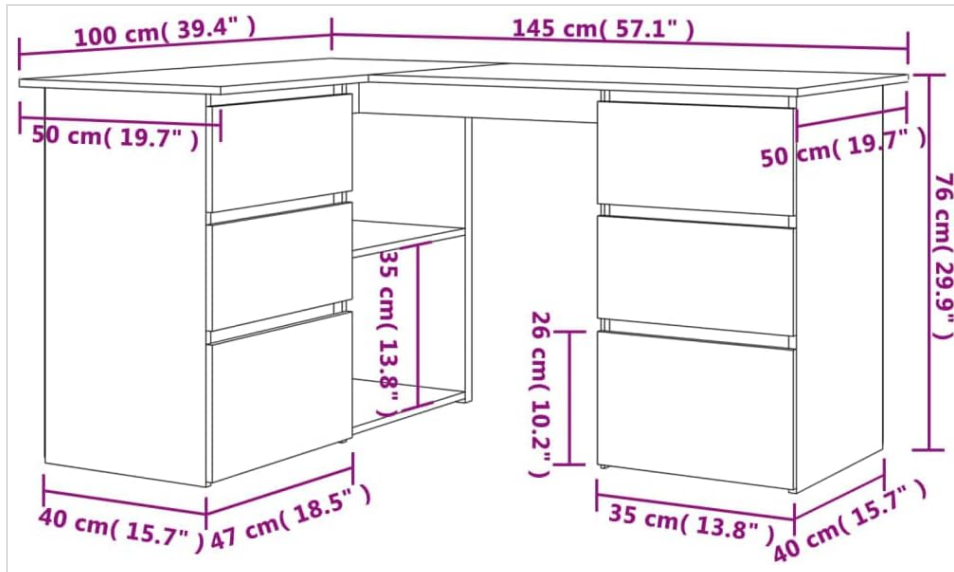


Image: A detailed diagram illustrating the precise dimensions of the vidaXL White Corner Desk in both centimeters and inches.

9. WARRANTY AND SUPPORT

vidaXL products are manufactured with quality and durability in mind. For information regarding warranty coverage, please refer to the warranty policy provided at the time of purchase or visit the official vidaXL website.

If you have any questions, require assistance with assembly, or need to report missing/damaged parts, please contact vidaXL customer support:

- **Website:** www.vidaxl.com (Look for the 'Contact Us' or 'Support' section)
- **Online Help Center:** Many common questions can be answered through their online help resources.

Please have your product model number (801089) and purchase details ready when contacting support.

