

Dancover PA153010

Dancover Bioclimatic Pergola Pavilion San Pablo (Model PA153010) User Manual

1. INTRODUCTION

The Dancover Bioclimatic Pergola Pavilion San Pablo is a high-quality outdoor structure designed to provide adjustable shade and shelter. It features a movable louvered roof that can be easily opened and closed using a crank handle, allowing you to control sunlight and ventilation. Constructed from strong, maintenance-free 100% aluminum, this pavilion offers durability and a modern aesthetic for your outdoor space.

2. SAFETY INFORMATION

- Read all instructions carefully before assembly and use.
- Ensure all components are present and undamaged before beginning assembly.
- Assembly requires at least two adults. Use appropriate safety gear, including gloves and eye protection.
- Install the pergola on a level, stable surface. Securely anchor the pergola to the ground to prevent tipping or movement, especially in windy conditions.
- Do not hang heavy objects from the pergola frame or louvers.
- Keep children and pets away from the assembly area.
- In extreme weather conditions (e.g., heavy snow, strong winds), it is recommended to keep the louvers open to prevent damage from snow accumulation or wind resistance.

3. PACKAGE CONTENTS

Verify that all parts are included in your package. If any parts are missing or damaged, contact Dancover customer support immediately.

- Aluminum Posts (4x)
- Aluminum Beams (Main and Cross)

- Louvered Roof Slats
- Crank Handle Mechanism
- Fasteners and Connectors
- Assembly Tools (basic tools may be included, but additional tools like a drill, level, and measuring tape are recommended)

4. SETUP AND ASSEMBLY

Before assembly, ensure you have a clear, level area. Refer to the technical drawing for precise dimensions and component identification. Follow the step-by-step instructions provided in the separate assembly guide for detailed procedures.

1. **Site Preparation:** Choose a level, stable location for your pergola. Clear any debris or obstacles.
2. **Assemble Posts and Beams:** Connect the vertical posts to the horizontal beams to form the main frame. Ensure all connections are secure.
3. **Install Louvered Roof:** Carefully place and secure the louvered roof sections onto the main frame.
4. **Attach Crank Mechanism:** Install the crank handle mechanism according to the instructions, ensuring it operates smoothly.
5. **Anchor the Pergola:** Securely anchor the pergola to the ground using appropriate hardware for your surface type (e.g., concrete anchors, ground stakes).



Figure 1: Technical drawing of the Dancover Bioclimatic Pergola Pavilion San Pablo, indicating key dimensions (3940mm x 3940mm footprint, 2306mm height), essential for planning and assembly.

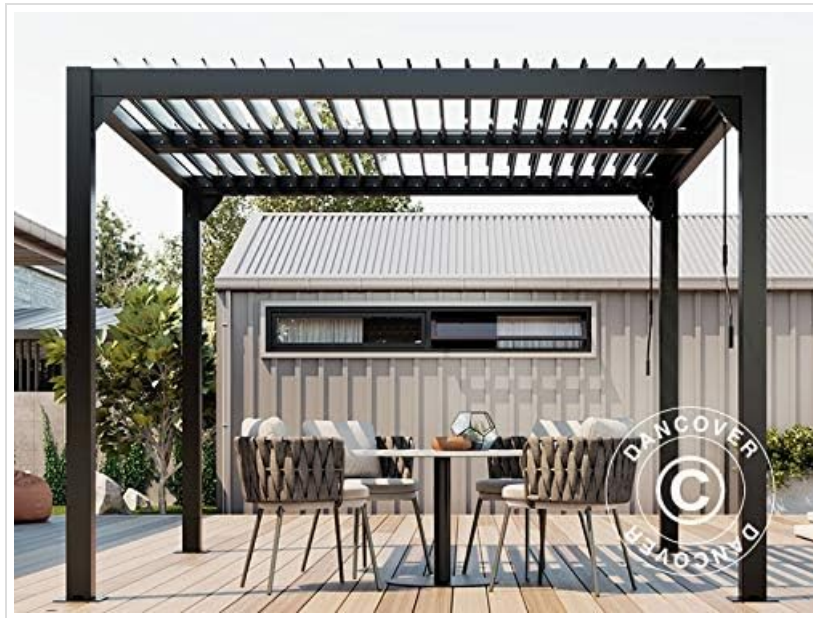


Figure 2: The Dancover Bioclimatic Pergola Pavilion San Pablo providing shade over an outdoor dining area, illustrating its structural design and function.

5. OPERATING INSTRUCTIONS

The bioclimatic louvered roof allows for adjustable shade and ventilation, adapting to various weather conditions.

- **Opening Louvers:** To open the louvers and allow sunlight or ventilation, insert the provided crank handle into the designated slot on the pergola frame. Rotate the handle clockwise until the louvers reach your desired open position.
- **Closing Louvers:** To close the louvers for full shade or rain protection, rotate the crank handle counter-clockwise until the louvers are fully closed.
- **Rain Drainage:** When the louvers are fully closed, the integrated drainage system directs rainwater through channels within the louvers and down through the pergola's support posts, exiting at the base.

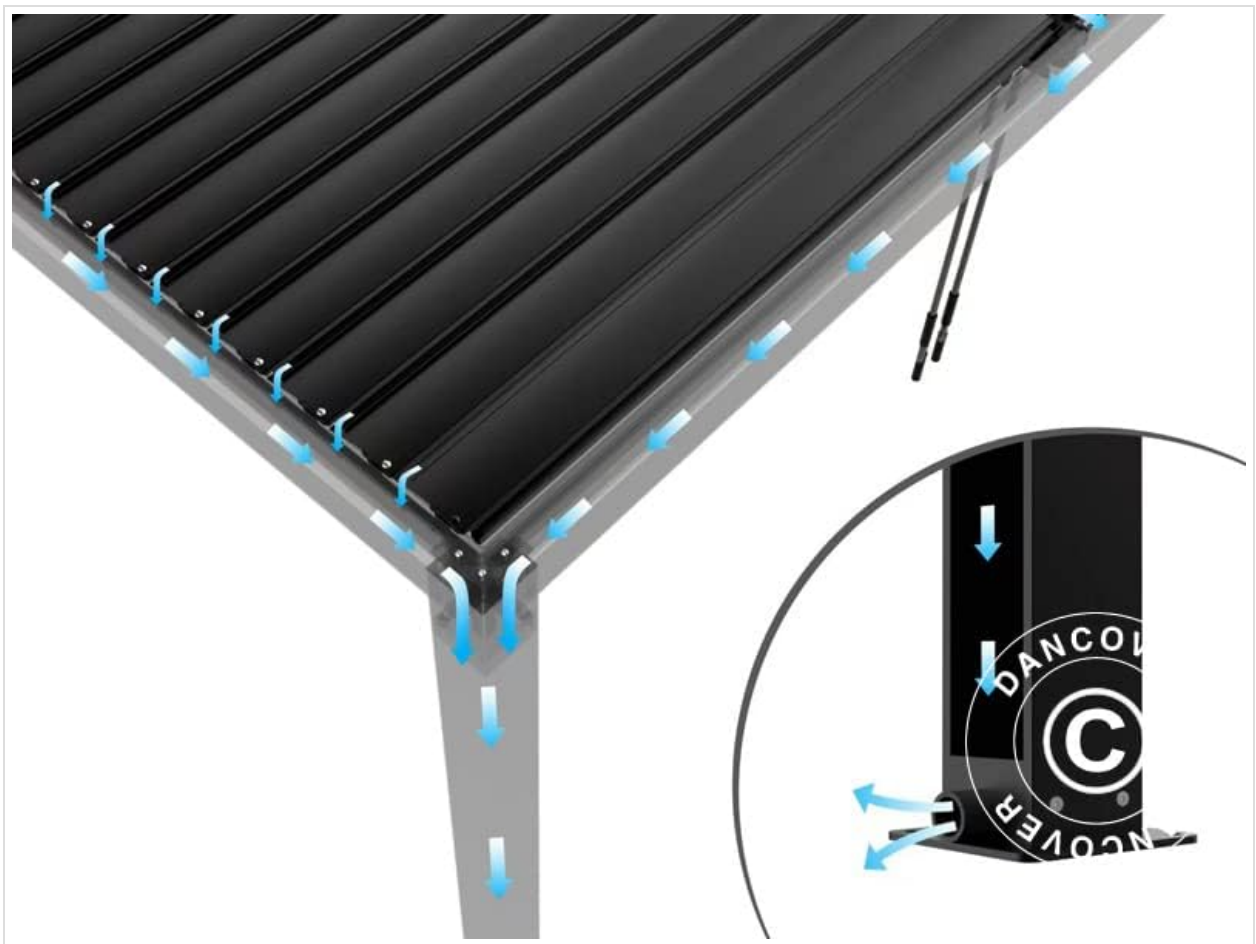


Figure 3: A close-up view of the manual crank handle system used to open and close the louvered roof of the pergola, demonstrating the operational interface.

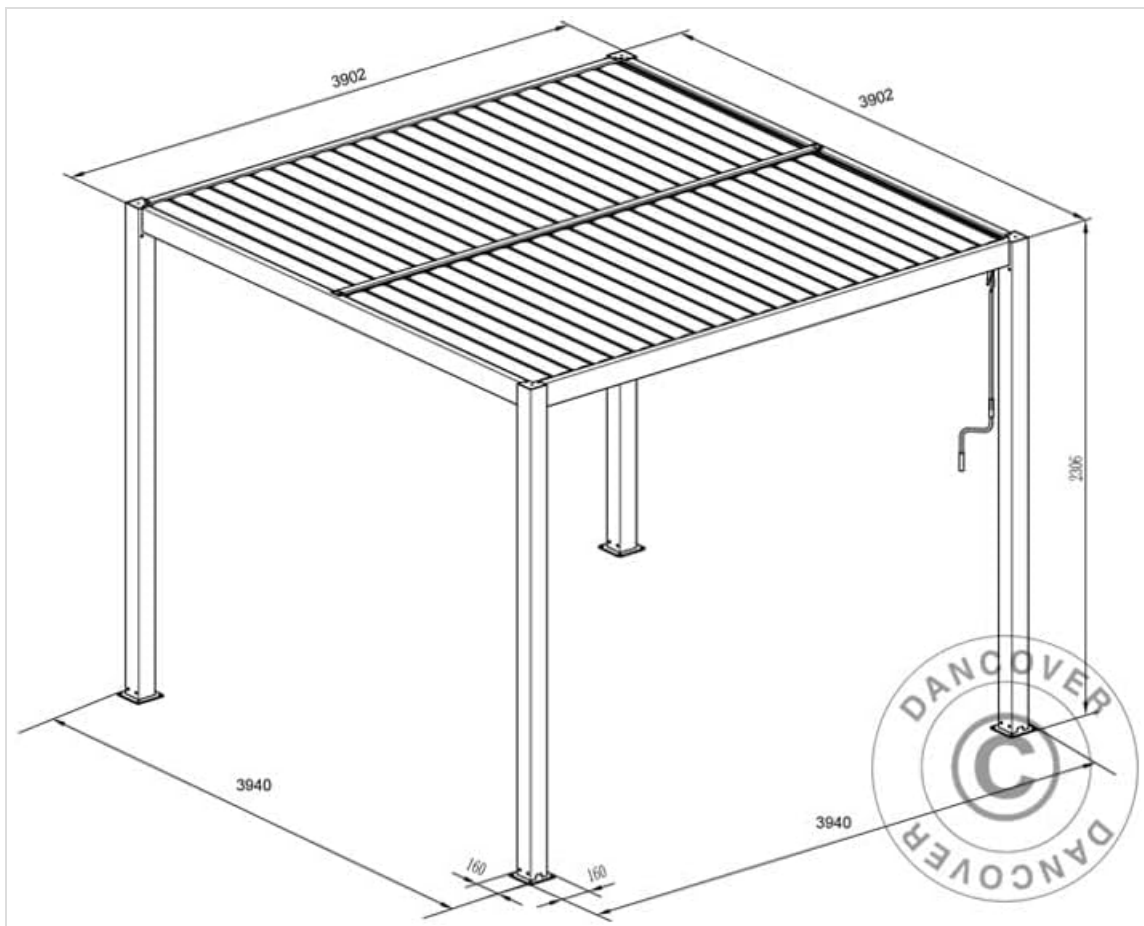


Figure 4: An illustrative diagram detailing how rainwater is collected by the closed louvers and channeled down through the

pergola's support posts, ensuring efficient drainage.



Figure 5: A detailed view of the louvered roof system, showing the individual slats and their pivot points, which allow for adjustment of light and shade.

6. MAINTENANCE

Regular maintenance will ensure the longevity and optimal performance of your Dancover pergola.

- **Cleaning:** Clean the aluminum frame and louvers periodically with mild soap and water. Use a soft cloth or sponge. Avoid abrasive cleaners, brushes, or high-pressure washers, which can damage the finish. Rinse thoroughly with clean water.
- **Inspection:** Regularly inspect all fasteners, bolts, and connections. Tighten any loose hardware to maintain structural integrity.
- **Drainage System:** Ensure the internal drainage channels within the posts and louvers are clear of leaves, dirt, and other debris. Blockages can lead to water accumulation and potential damage.
- **Louver Mechanism:** Annually, apply a silicone-based lubricant to the moving parts of the louver mechanism and the crank system to ensure smooth operation.
- **Winter Care:** In areas with heavy snowfall, it is advisable to keep the louvers open to prevent snow accumulation, which can put excessive stress on the structure.

7. TROUBLESHOOTING

- **Louvers not opening/closing smoothly:**
Cause: Obstruction in the louver mechanism, dry moving parts, or crank handle not properly engaged.
Solution: Check for any visible obstructions and remove them. Apply silicone-based lubricant to the moving parts. Ensure the crank handle is fully inserted and engaged.
- **Water pooling on roof when closed:**
Cause: Louvers not fully closed or drainage channels blocked.
Solution: Ensure the louvers are completely closed using the crank handle. Inspect and clear any debris from the internal drainage channels within the louvers and posts.
- **Pergola instability or wobbling:**
Cause: Loose anchor points or uneven installation surface.
Solution: Verify that all anchor points are securely fastened to the ground. Ensure the pergola is installed on a level surface. Re-tighten all assembly bolts.

- **Squeaking noises during operation:**

Cause: Lack of lubrication in the moving parts.

Solution: Apply silicone-based lubricant to the louver pivots and crank mechanism.

8. SPECIFICATIONS

Brand	Dancover
Model Number	PA153010
GTIN	05710828902688
Material	100% Aluminum
Color	Black
Approximate Dimensions (L x W x H)	3940 mm x 3940 mm x 2306 mm (approx. 4m x 4m x 2.3m)
Item Weight	229.7 Kilogram
Assembly Required	Yes

Note: The product dimensions provided in some listings (e.g., 2.3 x 3.94 x 2.3 cm) typically refer to packaging or a specific component, not the assembled pergola. Refer to the technical drawing for accurate assembled dimensions.

9. WARRANTY AND SUPPORT

For specific warranty information, please refer to the documentation provided at the time of purchase or contact your retailer. Dancover products typically come with a manufacturer's warranty covering defects in materials and workmanship.

If you require technical assistance, have questions about assembly, or need to order replacement parts, please contact Dancover customer support directly. Contact details can usually be found on the Dancover official website or on your purchase invoice.

Dancover Official Website: www.dancover.com (Please check for your regional website)