



[Manuals.plus](#) /

> [SogesHome](#) /

> SogesHome 47-inch Computer Desk with Shelf (Model Tplus-MO-120-HCA) User Manual

SogesHome Tplus-MO-120-HCA

SogesHome 47-inch Computer Desk with Shelf User Manual

Model: Tplus-MO-120-HCA

1. INTRODUCTION

Thank you for choosing the SogesHome 47-inch Computer Desk with Shelf. This versatile desk is designed to provide a functional and stable workspace for various environments, including home offices, study areas, and general workstations. Its robust construction and integrated shelving offer practical storage solutions while maintaining a compact footprint. This manual provides essential information for assembly, usage, maintenance, and troubleshooting to ensure a satisfactory experience with your new desk.



Image 1.1: The SogesHome 47-inch Computer Desk with Shelf, showcasing its design and functionality in a typical home office setup.

2. SAFETY INFORMATION

- Read all instructions carefully before assembly and use.
- Keep all small parts and packaging materials away from children.
- Ensure all screws and fasteners are securely tightened before use. Periodically check and re-tighten as necessary.
- Do not overload the desk or shelves. Refer to specifications for weight limits.
- Avoid standing or climbing on the desk.
- Place the desk on a level surface to prevent instability.
- Use caution when moving the assembled desk to prevent injury or damage.

3. PACKAGE CONTENTS

Before beginning assembly, verify that all components and hardware are present and undamaged. Refer to the included

assembly diagram for a complete list of parts. If any parts are missing or damaged, please contact customer service.

4. SETUP AND ASSEMBLY

Assembly of the SogesHome Computer Desk is required. All necessary tools and detailed instructions are included in the package. Follow the steps carefully to ensure proper and stable construction.

1. Unpack all components and lay them out on a clean, soft surface to prevent scratches.
2. Identify all parts using the provided assembly diagram.
3. Assemble the metal frame components according to the instructions, ensuring all connections are secure but not overtightened initially.
4. Attach the desk panel to the assembled frame.
5. Install the two side shelves. Note that the shelf unit can be assembled on either the left or right side of the desk to suit your preference and space requirements.
6. Once all parts are in place, gradually tighten all screws and fasteners until secure. Avoid excessive force to prevent damage to the components.
7. Ensure the desk is stable and level before placing items on it.



The left or right side can be assembled



Image 4.1: The desk's modular design allows the shelf unit to be assembled on either the left or right side, providing flexibility for your workspace layout.

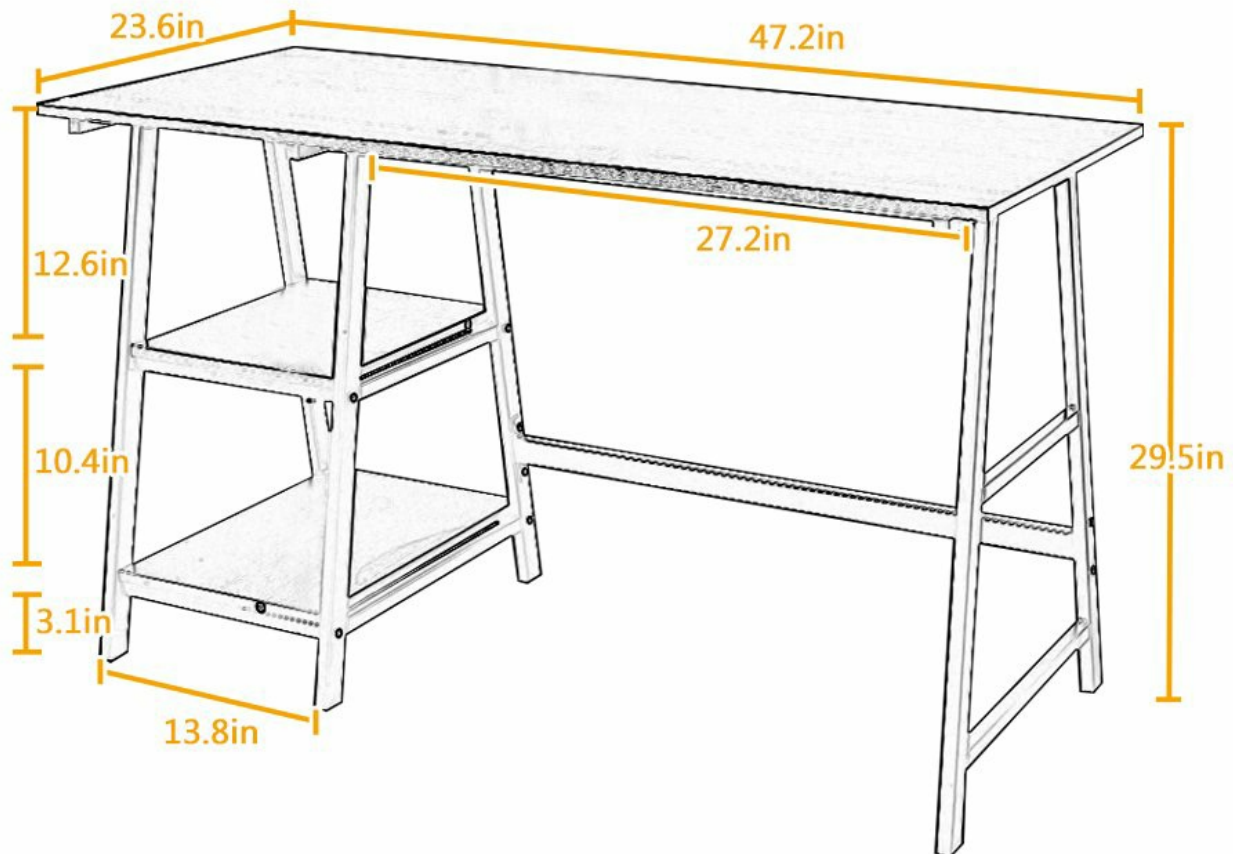


Image 4.2: Dimensional diagram of the SogesHome Computer Desk, showing overall length, width, height, and shelf dimensions.

5. OPERATING AND USAGE

The SogesHome Computer Desk is designed for versatility and functionality in various settings.

- **Workstation:** The spacious 47.2 x 23.6 inch desktop provides ample room for a computer, monitor, keyboard, mouse, and other office essentials.
- **Integrated Shelves:** The two side shelves are ideal for organizing books, documents, computer devices, or decorative items, helping to keep your main desktop clear and tidy.
- **Multi-functional Use:** This desk is suitable for a wide range of applications beyond a typical computer desk. It can serve as a writing desk, gaming desk, home office desk, student desk, training table, dining table, meeting table, or exhibition table.



Image 5.1: Detail of the integrated shelves, providing convenient storage for books and other items.



Image 5.2: The high-gloss maple white desktop surface, designed for durability and easy cleaning.

6. MAINTENANCE

To ensure the longevity and appearance of your SogesHome Computer Desk, follow these simple maintenance guidelines:

- **Cleaning:** The desk panel is made of particle wood with a high glossy finish. For dust or water stains, simply wipe clean with a soft, damp cloth. Avoid abrasive cleaners or harsh chemicals that could damage the finish.
- **Frame Care:** The heavy-duty powder-coated metal frame can be wiped clean with a damp cloth.
- **Regular Checks:** Periodically inspect all screws and fasteners to ensure they remain tight. Re-tighten if necessary to maintain stability.
- **Avoid Direct Sunlight:** Prolonged exposure to direct sunlight may cause fading or discoloration of the desk surface.
- **Protect Surface:** Use coasters for drinks and placemats for hot items to prevent marks or damage to the desktop.

7. TROUBLESHOOTING

If you encounter any issues with your SogesHome Computer Desk, refer to the following common solutions:

- **Desk is Unstable/Wobbly:**
 - Ensure the desk is placed on a completely level surface.
 - Check all assembly screws and bolts. Tighten any loose fasteners. Avoid overtightening, which can deform metal components.
 - Verify that all parts are correctly aligned according to the assembly instructions.
- **Missing or Damaged Parts:**
 - Carefully review the package contents against the assembly diagram.
 - If parts are missing or damaged upon arrival, contact SogesHome customer service immediately for assistance.
- **Scratches or Marks on Components:**
 - Minor scratches on metal frames can sometimes occur during shipping. If significant, contact customer service.
 - For surface marks on the desktop, try gentle cleaning with a soft cloth and mild cleaner.

8. SPECIFICATIONS

Brand	SogesHome
Model Number	Tplus-MO-120-HCA
Overall Dimensions (L x W x H)	47.2 x 23.6 x 29.5 inches (119.9 x 59.9 x 74.9 cm)
Desktop Material	Engineered Wood (Particle Wood) with High Glossy Finish
Frame Material	Powder-Coated Metal
Color	Maple White
Number of Shelves	2
Item Weight	18 Kilograms
Assembly Required	Yes
Room Type	Office

9. WARRANTY AND SUPPORT

SogesHome is committed to providing quality products and customer satisfaction.

- **Damage Policy:** If your desk arrives damaged or scratched, please contact our customer service team immediately. We guarantee to provide a replacement or offer a suitable discount.
- **Customer Service:** For any problems, questions, or concerns regarding your SogesHome Computer Desk, please do not hesitate to contact us as soon as possible. Our team is ready to assist you.
- **Contact Information:** Please refer to your purchase documentation or the SogesHome official website for the most current customer service contact details.

