



[Manuals.plus](#) /

› [SeaKnight](#) /

› SeaKnight Falcon Baitcasting Fishing Reel User Manual

SeaKnight FALCAN2

SeaKnight Falcon Baitcasting Fishing Reel User Manual

Model: FALCAN2

INTRODUCTION

The SeaKnight Falcon Baitcasting Fishing Reel (FALCAN2) is engineered for precision and performance in freshwater fishing. Featuring a robust design with 10+1 shielded bearings, a powerful carbon fiber drag system, and an advanced magnetic brake, this reel offers smooth operation and control for various fishing conditions. This manual provides essential information for the proper setup, operation, maintenance, and troubleshooting of your new fishing reel.



Image: The SeaKnight Falcon Baitcasting Fishing Reel, showcasing its sleek design and ergonomic handle.

PRODUCT FEATURES

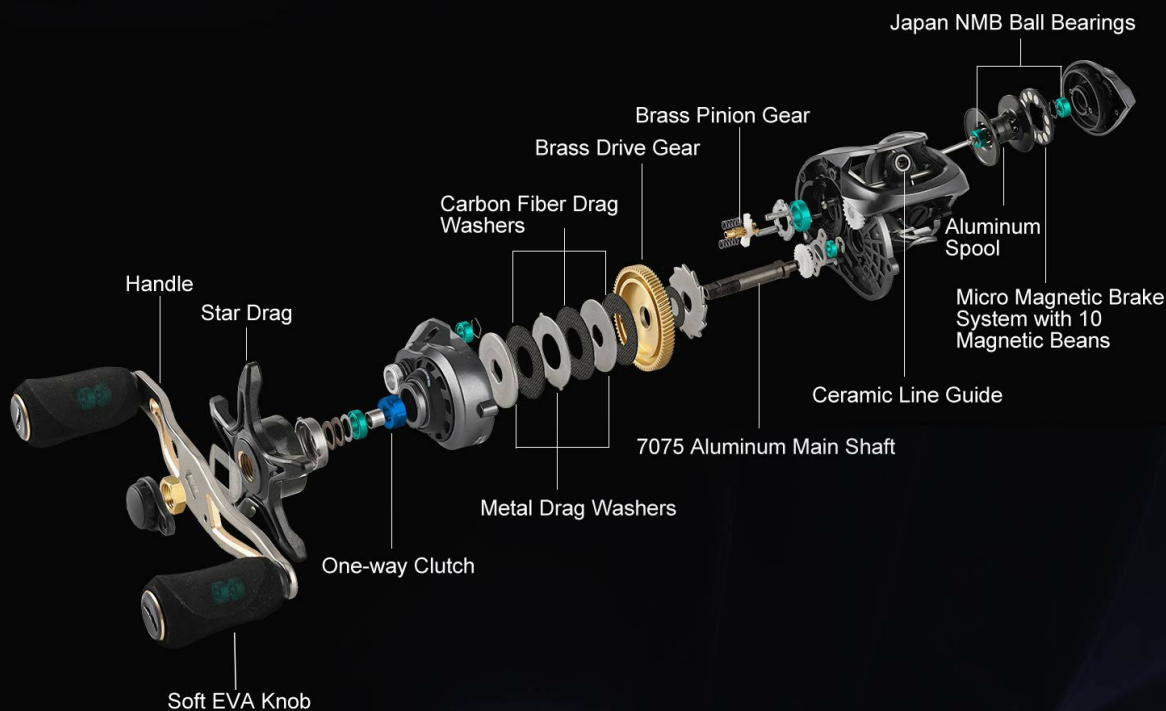
- **Bearing System:** 10 Stainless Ball Bearings + 1 Stainless Roller Ball Bearing for smooth operation, including 2 Japan NMB bearings.
- **Brake System:** 30-pin New Generation Micro Magnetic Brake System with 10 magnetic beans for superior casting control and reduced backlash.
- **Lightweight Design:** New frame design and aluminum spool with short shaft, hollow-carved design, resulting in a total weight of only 6.7 ounces (190g).
- **Drag System:** Dual-Bearings System and 4 Disks Carbon Fiber Drag System providing powerful drag performance up to 17.6 LBs (8KG).
- **Gear Ratios:** Available in 7.2:1 (FALCAN2 HG) and 8.1:1 (FALCAN2 XG) for versatile fishing techniques.
- **Line Guide:** Durable Heat Resistant Ceramic Line Guide with a triangle shape for lower friction and excellent heat dissipation.

STRUCTURE DETAILS

17.6LB
DRAG POWER

10 BALL BEARINGS + 1
ANTI-REVERSE BALL BEARING

SMOOTH
OPERATION



MODEL	GEAR RATIO	WEIGHT (g/oz)	BALL BEARINGS	MAX DRAG (lbs)	LINE CAPACITY (mm-m)
Falcan2 HG	7.2:1	190g/6.7oz	10+1BB	17.6lbs	0.33-100 0.38-90
Falcan2 XG	8.1:1	190g/6.7oz	10+1BB	15.4lbs	0.33-100 0.38-90

Image: Exploded view of the SeaKnight Falcon reel, detailing components such as ball bearings, carbon fiber drag washers, brass gears, aluminum spool, and the micro magnetic brake system.

SETUP

1. Unboxing and Inspection

Carefully remove the reel from its packaging. Inspect the reel for any visible damage or loose parts. Ensure all components, including the handle and spool, are securely attached and operate smoothly.

2. Spooling the Fishing Line

1. Attach the reel to a fishing rod.
2. Thread the fishing line through the rod guides and tie it to the reel spool using an arbor knot or similar secure knot.
3. Ensure the line is spooled evenly and tightly onto the spool. Avoid overfilling the spool, as this can lead to tangles and backlashes.

3. Adjusting the Magnetic Brake System

The Falcon reel features a 30-pin micro magnetic brake system for casting control. This system helps prevent backlashes, especially for beginners or when casting lighter baits.

- Locate the magnetic brake adjustment dial on the side of the reel.
- The dial typically ranges from MIN (less braking, longer cast, higher backlash risk) to MAX (more braking, shorter cast, lower backlash risk).
- **0-2 PIN:** Recommended for super long casting with heavy baits.
- **2-4 PIN:** Suitable for general purpose casting.
- **4-5 PIN:** Ideal for beginners or when casting light baits to minimize backlashes.

30 PIN MAGNETIC BRAKE SYSTEM, 90M LONGER CASTING



**30PIN PRECISE
ADJUSTMENT**

0-2PIN: FOR SUPER LONG LASTING - HEAVY BAIT

2-4PIN: GENERAL PURPOSE

4-5PIN: FOR BEGINNER - LIGHT BAIT

Image: Diagram illustrating the 30-pin magnetic brake system adjustment dial, showing settings from MIN to MAX and recommended pin ranges for different casting scenarios.

MICRO MAGNETIC BRAKE SYSTEM

Optimize the magnetic affect on the ported aluminum spool, offers ultimate casting control;
Placed evenly on both sides, making the reel smoother and longer casting.



10
Magnetic
Beans

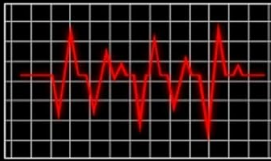


Image: Close-up view of the micro magnetic brake system, highlighting the 10 magnetic beans that optimize the magnetic effect on the spool for casting control.

4. Adjusting the Spool Tension (Cast Control)

The spool tension knob, located near the handle, controls the speed at which the spool rotates. Proper adjustment is crucial for preventing backlashes.

1. Attach your lure to the fishing line.
2. Tighten the spool tension knob until the lure holds its position when the reel is disengaged.
3. Gradually loosen the knob until the lure slowly falls to the ground. The spool should stop rotating when the lure hits the ground.
4. Fine-tune this setting based on lure weight and wind conditions.

5. Drag Adjustment

The star drag system, located behind the handle, controls the amount of resistance the line experiences when a fish pulls on it. Adjust the drag to match the strength of your line and the size of the fish you expect to catch.

- Turn the star drag clockwise to increase drag tension.
- Turn the star drag counter-clockwise to decrease drag tension.
- A common guideline is to set the drag to approximately 25-30% of your line's breaking strength.

OPERATION

1. Casting

1. Hold the rod and reel comfortably.
2. Press the thumb bar to disengage the spool. Keep your thumb on the spool to prevent the line from coming off prematurely.
3. Make a smooth casting motion. As the rod moves forward, lift your thumb off the spool to release the line.
4. Just before the lure hits the water, gently apply your thumb to the spool to slow it down and prevent a backlash.
5. Engage the reel by turning the handle or pressing the thumb bar again.

2. Retrieving

Turn the handle to retrieve your lure. The gear ratio (7.2:1 or 8.1:1) determines how quickly the line is retrieved per turn of the handle. Maintain a steady retrieve speed appropriate for your lure and target fish.

3. Fighting a Fish

When a fish strikes, allow the drag system to work. Do not overtighten the drag, as this can break your line or pull the hook. Pump the rod and reel in line as the fish tires, maintaining constant pressure.

MAINTENANCE

Regular maintenance ensures the longevity and optimal performance of your SeaKnight Falcon reel.

1. Cleaning

1. After each use, especially in saltwater environments, rinse the reel with fresh water. Do not submerge the reel.
2. Wipe down the exterior with a soft, damp cloth to remove dirt, salt, and debris.
3. Use a cotton swab to clean hard-to-reach areas around the line guide and handle.

2. Lubrication

Apply a small amount of high-quality reel oil to moving parts such as the handle knobs, spool shaft, and line guide. Apply reel grease to gears as needed. Some users recommend applying extra reel grease upon initial unboxing for enhanced longevity.

3. Storage

Store your reel in a dry, cool place away from direct sunlight and extreme temperatures. Consider using a reel cover or case to protect it from dust and physical damage.

TROUBLESHOOTING

1. Backlashing

- **Cause:** Spool rotating faster than the line is leaving the reel, often due to improper brake or tension settings, or incorrect casting technique.
- **Solution:** Increase the magnetic brake setting (move towards MAX). Tighten the spool tension knob. Practice smooth casting motions and thumb control. Ensure the spool is not overfilled with line.

2. Stiff or Rough Operation

- **Cause:** Lack of lubrication, dirt/debris inside the reel, or worn components.
- **Solution:** Clean the reel thoroughly and apply fresh lubricant to all moving parts. If the issue persists, professional servicing may be required.

3. Drag Slipping or Inconsistent

- **Cause:** Drag washers are dry, dirty, or worn.
- **Solution:** Inspect the carbon fiber drag washers. Clean them if dirty. If they appear worn, they may need replacement. Ensure the drag is properly tightened for your fishing conditions.

SPECIFICATIONS

Feature	Specification
Model Name	FALCAN2
Brand	SeaKnight
Fishing Reels Type	Baitcast Reel
Gear Ratio (FALCAN2 HG)	7.2:1
Gear Ratio (FALCAN2 XG)	8.1:1
Ball Bearings	10+1BB (2 Japan NMB included)
Max Drag (7.2:1)	8KG / 17.6lbs
Max Drag (8.1:1)	7KG / 15.4lbs
Reel Weight	190g / 6.70oz
Braid Capacity (0.33mm)	100M
Braid Capacity (0.38mm)	90M
Spool Material	Aluminum Spool with Short Shaft
Brake System	30Pin Micro Magnetic Brake System (10 Magnetic Beans)
Gear Material	Brass Gear
Drag System	4 Disks Carbon Fiber Drag System
Line Guide	Durable Heat Resistant Ceramic Line Guide
Main Shaft	7075 Aluminum Main Shaft
Handle Material	Stainless
Knob Material	Soft EVA Knob



Image: Dimensions of the SeaKnight Falcon reel, showing its compact and palm-perfect design with a height of 1.57 inches and length of 3.05 inches.

DUAL-BEARINGS SYSTEM UP TO 18 LBS



PINION GEAR

2 SHIELDED BEARINGS

Image: Illustration of the Dual-Bearings System, highlighting the pinion gear and two shielded bearings that contribute to smooth operation and strong drag performance.

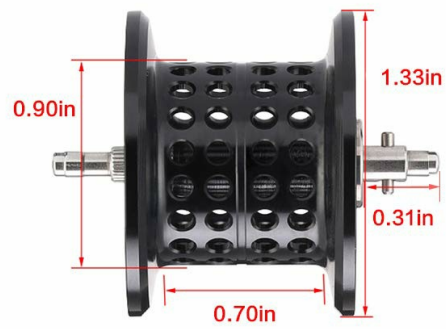


Triangle Shape & Ceramic Line Guide
*Lower Friction, Higher Smoothness,
Excellent Heat Dissipation, Good for Long-distance Casting*

Image: Close-up of the triangle-shaped ceramic line guide, designed for lower friction, higher smoothness, and excellent heat dissipation during long-distance casting.



Original



Shallow Spool

*(Not for free)



Image: Comparison of the original spool and an optional shallow spool, showing their dimensions and weights. Note: Shallow spool is not included as standard.

WARRANTY AND SUPPORT

Specific warranty information for the SeaKnight Falcon Baitcasting Fishing Reel is not provided in this manual. For details regarding warranty coverage, claims, or technical support, please refer to the product packaging or contact SeaKnight customer service directly through their official website or the retailer from whom the product was purchased.