

[Manuals.plus](#) /

> [HOOBRO](#) /

> HOOBRO 3-Tier Over-Toilet Bathroom Shelf EBF41TS01 Instruction Manual

## HOOBRO EBF41TS01

# HOOBRO 3-Tier Over-Toilet Bathroom Shelf

Model: EBF41TS01 | Brand: HOOBRO

## INTRODUCTION

Thank you for choosing the HOOBRO 3-Tier Over-Toilet Bathroom Shelf, Model EBF41TS01. This industrial-style shelf is designed to maximize storage space in your bathroom, providing three rustic brown shelves for organizing essentials. Constructed with durable E1-grade engineered wood and sturdy black metal frames, this unit offers both functionality and a modern aesthetic. Please read this manual carefully before assembly and use to ensure proper installation and safe operation.

## SAFETY INFORMATION

- **Anti-Tipping Device:** For safety, it is mandatory to fix the product to the wall using the provided anti-tipping device. This prevents accidental tipping, especially in households with children or pets.
- **Weight Capacity:** Do not exceed the maximum static load capacity of 20 kg (44 lbs) for the entire unit. Distribute weight evenly across the shelves.
- **Stable Placement:** Ensure the shelf is placed on a flat, stable surface. Uneven surfaces can compromise stability.
- **Assembly:** Follow all assembly instructions precisely. Do not skip steps or use unauthorized parts.
- **Maintenance:** Regularly check all screws and connections to ensure they remain tight. Retighten if necessary.

## PACKAGE CONTENTS

Before beginning assembly, please verify that all components listed below are present and undamaged:

- 1 x HOOBRO 3-Tier Over-Toilet Bathroom Shelf (EBF41TS01)
- 1 x Assembly Kit (includes all necessary hardware)
- 1 x Anti-Tipping Device
- 1 x Assembly Instructions Manual (English, French, German, Spanish, Italian)

## SETUP AND ASSEMBLY INSTRUCTIONS

The HOOBRO EBF41TS01 shelf is designed for easy assembly. Please follow the step-by-step instructions provided in the included assembly manual. A general overview of the assembly process is provided below:

1. **Unpack Components:** Carefully remove all parts from the packaging and lay them out on a clean, soft surface to prevent scratches.
2. **Identify Parts:** Refer to the parts list in your assembly manual to identify each component (e.g., metal frames, wooden shelves, screws, bolts).
3. **Assemble Frame:** Connect the metal frame components according to the diagrams in the manual, ensuring all screws are finger-tightened initially.
4. **Attach Shelves:** Secure the three rustic brown shelves to the assembled metal frame. Ensure they are level and properly aligned.
5. **Tighten All Connections:** Once all parts are in place, fully tighten all screws and bolts using the provided tools. Do not overtighten.
6. **Install Anti-Tipping Device:** Attach the anti-tipping device to the top rear of the shelf and secure it to a solid wall stud or appropriate wall anchor. This step is crucial for safety.
7. **Final Placement:** Position the assembled shelf over your toilet, ensuring it is stable and does not wobble.



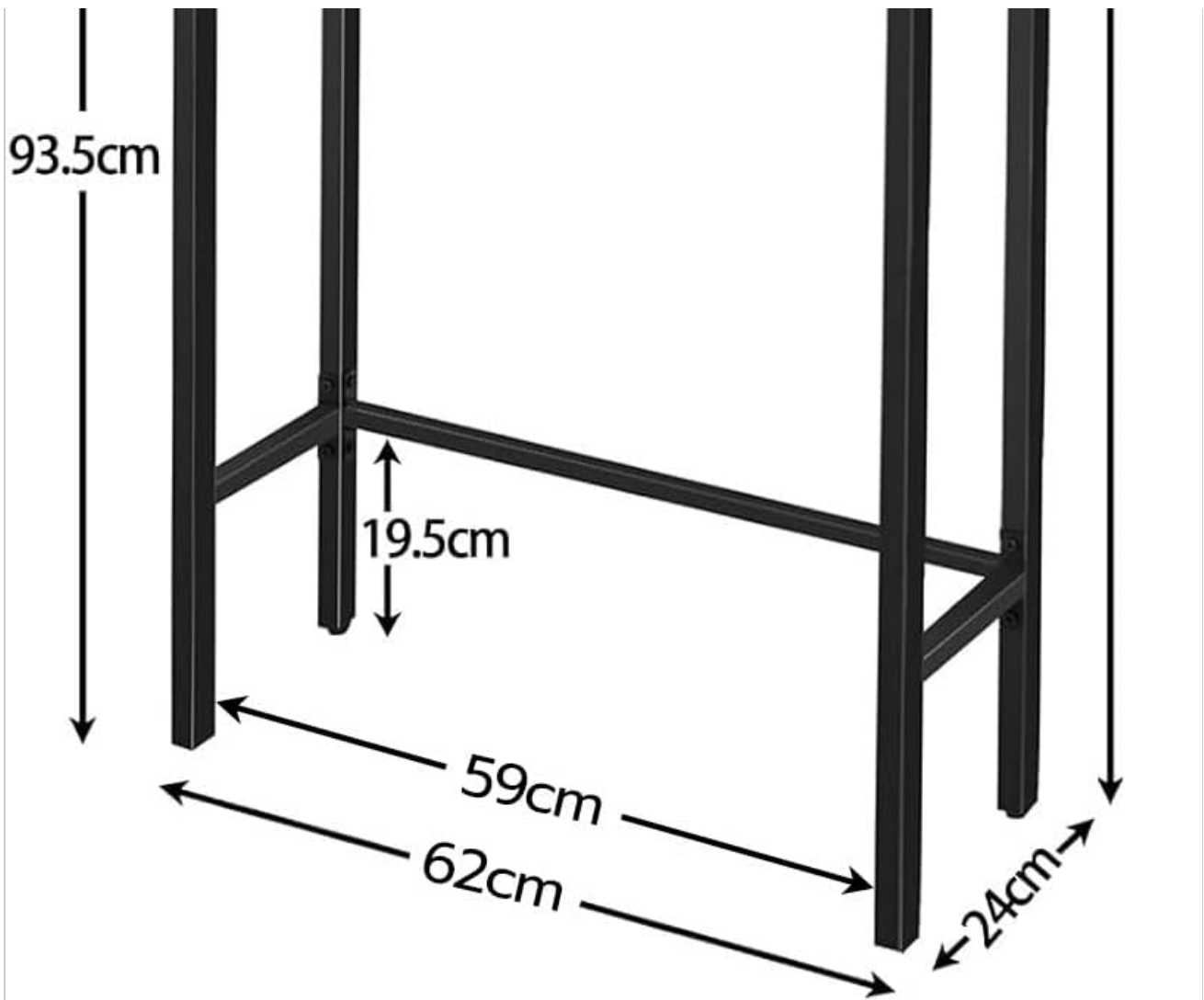


Figure 1: Product Dimensions Diagram. This image illustrates the overall height (163cm), width (62cm), depth (24cm), and spacing between shelves.

## OPERATING INSTRUCTIONS

The HOOBRO EBF41TS01 shelf is designed for straightforward use as a storage and organization unit in your bathroom or other suitable areas.

- **Placement:** Position the shelf over a standard toilet. Ensure there is adequate clearance for the toilet tank and lid.
- **Loading:** Place items such as towels, toiletries, decorative objects, and other bathroom essentials on the three shelves.
- **Weight Distribution:** Distribute the weight of items evenly across the shelves to maintain stability. Avoid placing heavy items exclusively on one side or on the very top shelf without counterbalancing.
- **Adjustable Features:** While the shelves are fixed, the overall design allows for versatile storage of various item sizes.





Figure 2: The HOOBRO shelf positioned over a toilet, showcasing its storage capacity for various bathroom items.



Figure 3: A detailed view of the shelves, demonstrating how various items can be organized.

## MAINTENANCE

---

Proper care and maintenance will extend the life and appearance of your HOOBRO shelf.

- **Cleaning:** Wipe the surfaces with a dry, soft cloth. For stubborn marks, a slightly damp cloth can be used, followed immediately by a dry cloth. Avoid abrasive cleaners or harsh chemicals, as these can damage the finish.
- **Moisture:** While suitable for bathrooms, avoid prolonged exposure to excessive moisture. Wipe up any spills immediately.
- **Fasteners:** Periodically check all screws and bolts to ensure they are tight. Retighten as needed to maintain structural integrity.

## TROUBLESHOOTING

---

If you encounter any issues with your HOOBRO shelf, refer to the following common troubleshooting tips:

- **Shelf Wobbles:**

- Ensure all screws and bolts are fully tightened.
- Verify the shelf is placed on a level surface. Adjust if necessary.
- Confirm the anti-tipping device is securely installed to the wall.

- **Difficulty Assembling:**

- Review the assembly instructions carefully, paying close attention to diagrams and part orientation.
- Ensure you are using the correct hardware for each step.
- Do not force parts together. If a part does not fit, recheck the instructions.

- **Missing Parts:**

- Double-check the packaging to ensure no small parts were overlooked.
- Contact HOOBRO customer support for assistance with missing components.

## SPECIFICATIONS

---

<b>Model Number</b>	EBF41TS01
<b>Product Dimensions (L x W x H)</b>	63 x 24 x 163 cm (24.8 x 9.4 x 64.2 inches)
<b>Weight</b>	7.8 kg (17.2 lbs)
<b>Material</b>	E1-grade Engineered Wood, Iron
<b>Number of Shelves</b>	3
<b>Maximum Weight Capacity</b>	20 kg (44 lbs)
<b>Mounting Type</b>	Floor Mount (with wall anti-tipping device)
<b>Color</b>	Rustic Brown
<b>Care Instructions</b>	Wipe with Dry Cloth

## WARRANTY INFORMATION

---

HOOBRO products are manufactured to high-quality standards. For specific warranty details regarding your EBF41TS01 shelf, please refer to the documentation included with your purchase or visit the official HOOBRO website. Typically, warranties cover manufacturing defects under normal use conditions.

## CUSTOMER SUPPORT

---

If you have any questions, require assistance with assembly, or need to report missing/damaged parts, please contact HOOBRO customer service. Our team is dedicated to providing professional support to ensure your satisfaction. For contact information, please refer to the packaging or the official HOOBRO website.



