

KAFF KOV 70 BA6

KAFF KOV 70 BA6 Built-in Oven User Manual

Model: KOV 70 BA6 | Brand: KAFF

1. INTRODUCTION

This manual provides essential information for the safe and efficient use of your KAFF KOV 70 BA6 Built-in Oven. Please read these instructions carefully before installation and operation, and retain them for future reference. Proper installation, operation, and maintenance are crucial for optimal performance and longevity of the appliance.

2. SAFETY INFORMATION

Always adhere to basic safety precautions when using electrical appliances to reduce the risk of fire, electric shock, and injury.

- Ensure the oven is properly installed by a qualified technician before use.
- Do not touch hot surfaces. Use oven mitts or pot holders.
- Supervise children closely when the oven is in use.
- Never use water to extinguish grease fires; instead, turn off the appliance and cover the pan with a lid or baking soda.
- Do not store flammable materials in or near the oven.
- Disconnect the power supply before cleaning or maintenance.

3. PRODUCT FEATURES

The KAFF KOV 70 BA6 is a multi-functional built-in oven designed for versatile cooking. Key features

include:

- **Capacity:** 70 Litres, suitable for various cooking needs.
- **Control:** Mechanical timer and rotary control dials for precise operation.
- **Design:** Full black tempered glass finish with a 3-layer glass door for enhanced insulation and safety.
- **Heating:** Multi-functional with defrost, internal cooling fan, and oven light.
- **Material:** Tempered Glass and Stainless Steel construction.



Image 3.1: Front view of the KAFF KOV 70 BA6 Built-in Oven, showcasing its sleek black tempered glass finish.



Image 3.2: Detailed view highlighting the rotary control dials, convection fan, long black matte finish handle, and 3-layer glass door.

4. SETUP & INSTALLATION

The KAFF KOV 70 BA6 is a built-in appliance and requires professional installation. Ensure the installation area meets the specified dimensions and electrical requirements.

4.1. Installation Dimensions

Refer to the following diagrams for precise cabinet and appliance dimensions to ensure proper fit and ventilation.



Image 4.1: External dimensions of the oven, showing a width of 564 mm and a height of 585 mm.

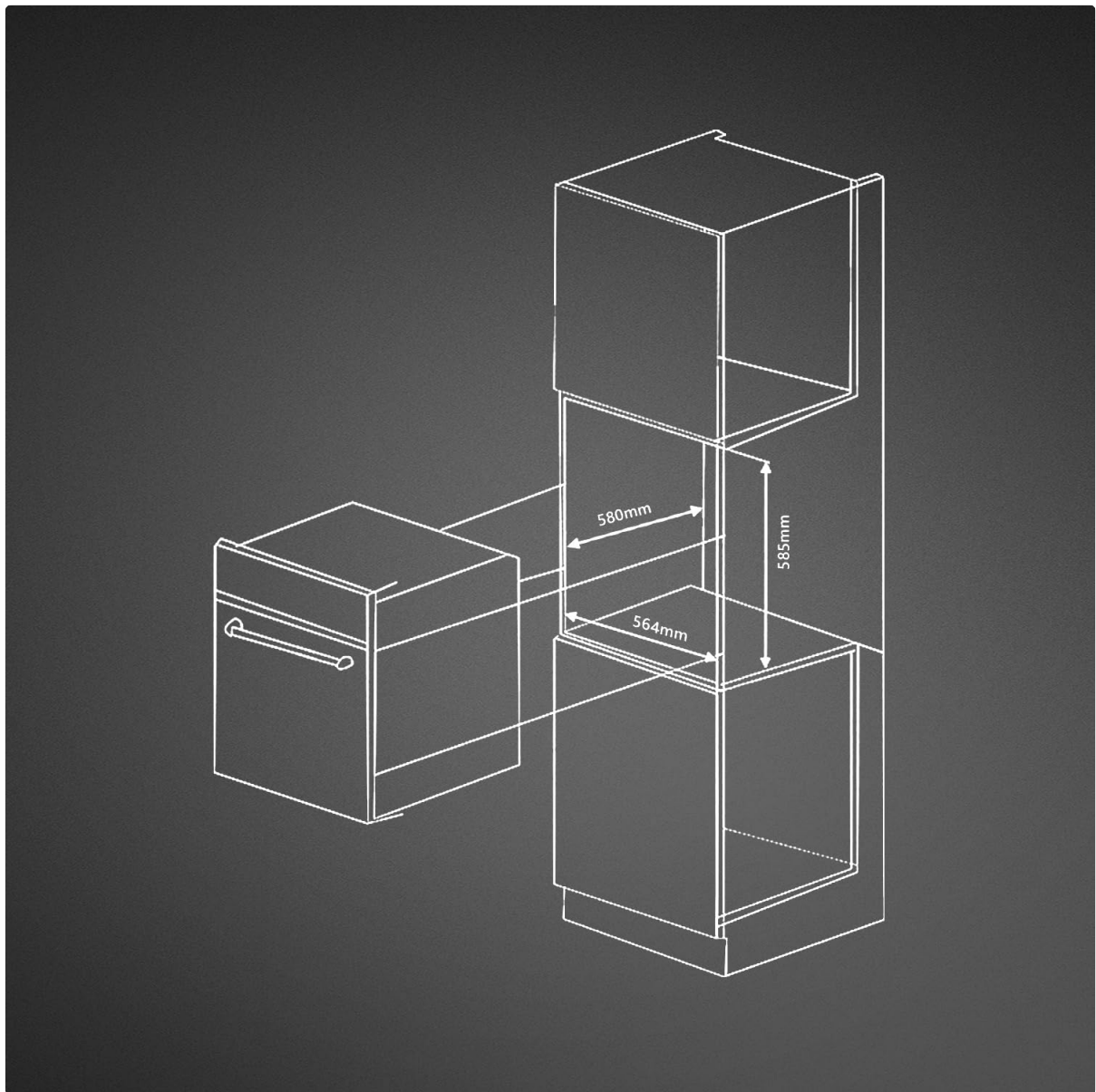


Image 4.2: Recommended cabinet inner dimensions for installation: 564mm (W) x 580mm (D) x 585mm (H).

4.2. Electrical Connection

The oven requires a 220-240V electrical supply with a total connected load of 3.3 KW. The mains cable length is 100 cm. Ensure the electrical connection is performed by a certified electrician.

5. OPERATING INSTRUCTIONS

Your KAFF KOV 70 BA6 oven features intuitive rotary control dials for selecting cooking functions, temperature, and setting the mechanical timer.

5.1. Control Panel Overview

The control panel consists of three main rotary dials:

1. **Function Selector:** Used to choose the desired cooking mode (e.g., Convection, Grill, Defrost).
2. **Temperature Selector:** Used to set the oven temperature, typically ranging from 50°C to 275°C.

3. **Mechanical Timer:** Used to set the cooking duration. The oven will switch off automatically once the set time has elapsed.

5.2. Initial Use

Before first use, clean the oven interior with a damp cloth. Heat the empty oven at maximum temperature for approximately 30 minutes to burn off any manufacturing residues. Ensure adequate ventilation during this process.

6. COOKING FUNCTIONS

The oven offers multiple cooking functions to suit various recipes:

- **Convection (Fan-forced):** Ideal for even cooking and baking on multiple levels. The internal cooling fan ensures consistent heat distribution.
- **Traditional Oven Top/Bottom Heating:** Suitable for conventional baking and roasting.
- **Grill:** For grilling meats, toasting, and browning dishes.
- **Defrost:** Gently thaws frozen food using the internal fan without heat.

Your browser does not support the video tag.

Video 6.1: An overview of the KAFF KOV 70 BA6 oven, highlighting its 70L cavity, multi-functionality with rotary control dial, and full black tempered glass finish.

7. MAINTENANCE & CLEANING

Regular cleaning and maintenance will help keep your oven in optimal condition.

7.1. General Cleaning

- Always allow the oven to cool completely before cleaning.
- Use mild detergents and a soft cloth for cleaning interior and exterior surfaces.
- Avoid abrasive cleaners, scourers, or sharp objects that could damage surfaces.
- The 3-layer glass door can be disassembled for thorough cleaning if necessary (refer to specific instructions for door removal).

7.2. Accessories

The oven includes one grill wire shelf and one oven drip tray. Clean these accessories after each use with warm soapy water.

8. TROUBLESHOOTING

If you encounter issues with your oven, consult the following common problems and solutions before

contacting customer support.

Problem	Possible Cause	Solution
Oven does not heat	No power supply; incorrect settings.	Check circuit breaker/fuse. Ensure function and temperature dials are correctly set.
Oven light not working	Bulb faulty.	Replace the oven light bulb (ensure oven is cool and disconnected from power).
Uneven cooking	Incorrect rack position; overloaded oven.	Use recommended rack positions. Avoid overcrowding the oven. Ensure convection fan is operating if selected.

9. TECHNICAL SPECIFICATIONS

Specification	Detail
Brand	KAFF
Model	KOV 70 BA6
Capacity	70 litres
Installation Type	Built-In
Energy Consumption	3.3 Kilowatts
Voltage	220-240 Volts
Fuel Type	Electric
Oven Cooking Mode	Convection
Defrost System	Auto Defrost
Material	Stainless Steel, Tempered Glass
Item Weight	30 kg
Item Dimensions (LxWxH)	58 x 57 x 56 Centimeters
Included Components	One Grill Wire Shelf, One Oven Drip Tray

10. WARRANTY INFORMATION

The KAFF KOV 70 BA6 Built-in Oven comes with a **1-year manufacturer's warranty**. Please retain your purchase receipt as proof of purchase for warranty claims. The warranty covers manufacturing defects under normal use conditions. For specific terms and conditions, refer to the warranty card provided with your appliance or contact KAFF customer support.

11. CUSTOMER SUPPORT

For any queries, technical assistance, or service requests, please contact KAFF customer support:

- **Manufacturer:** KAFF Appliances (I) Pvt. Ltd.
- **Contact Number:** 18001802221

When contacting support, please have your oven model number (KOV 70 BA6) and purchase details readily available.