



Manuals.plus /

› Lordear /

› Lordear 30 Inch Undermount Kitchen Sink Workstation (Model H-LUS3019A1) Instruction Manual

Lordear H-LUS3019A1

Lordear 30 Inch Undermount Kitchen Sink Workstation (Model H-LUS3019A1) Instruction Manual

Model: H-LUS3019A1 | Brand: Lordear

INTRODUCTION

This manual provides detailed instructions for the installation, operation, and maintenance of your Lordear 30 Inch Undermount Kitchen Sink Workstation. This single bowl sink is constructed from industrial-grade 16 gauge SUS304 stainless steel, featuring a commercial-grade brushed finish and a workstation design for enhanced functionality.

PACKAGE CONTENTS

Verify that all components are present before beginning installation:

- 30 inch Undermount Kitchen Sink
- Stainless Steel Bottom Rinse Grid
- Basket Strainer Drain Assembly
- Red Wood Cutting Board
- Roll-up Dish Rack
- Stainless Steel Colander
- Cutout Template
- Mounting Clips
- Installation Guide

SPECIFICATIONS

Brand	Lordear
Model Number	H-LUS3019A1
Material	16 Gauge SUS304 Stainless Steel
Color	Stainless Steel
External Dimensions (D x W x H)	19" x 30" x 10"
Interior Bowl Size (W x D)	28" x 15.82"
Bowl Depth	9.7 Inches
Cutout Size	28" x 17"
Recommended Base Cabinet Width	33 Inches
Installation Type	Undermount
Drain Type	Grid
Finish Type	Brushed

SETUP AND INSTALLATION

Proper installation is crucial for the functionality and longevity of your sink. Refer to the included installation guide for detailed steps and diagrams. Professional installation is recommended.

Installation Overview

- 1. Prepare Countertop:** Use the provided cutout template to mark and cut the opening in your countertop. Ensure the dimensions match the sink specifications.
- 2. Apply Sealant:** Apply a bead of silicone sealant around the rim of the sink opening on the underside of the countertop.
- 3. Position Sink:** Carefully lift and position the sink into the cutout from below the countertop. Ensure it is centered and aligned.
- 4. Secure with Clips:** Attach the mounting clips to the underside of the countertop and tighten them to secure the sink in place.
- 5. Install Drain Assembly:** Install the basket strainer drain assembly according to the manufacturer's instructions.
- 6. Install Faucet:** Drill any necessary holes for your faucet and install it according to its specific instructions.

Installation Video Guide

Your browser does not support the video tag.

Video: Lordear Undermount Kitchen Sink Installation Guideline. This video demonstrates the steps for installing the undermount kitchen sink, including preparing the countertop, securing the sink, and installing the drain.

Visual Aids for Installation



KITCHEN SINK DIMENSIONS

External Dimension: 30"Wx19"Dx10"H

Internal Dimensions: 28"Wx15.82"Dx9.75"H

Recommend Base Cabinet : 33 inch wide

Standard Drainage Hole: 3.5 inch

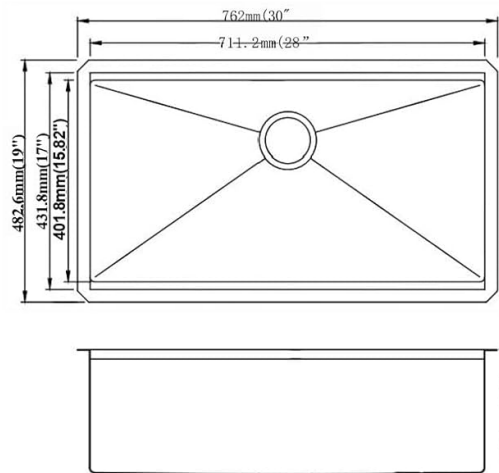


Image: Kitchen Sink Dimensions. This diagram illustrates the external, internal, and cutout dimensions of the sink, along with the recommended base cabinet size.

HIGH QUALITY T-304 STAINLESS STEEL CASTING

Frigidaire t-304 premium-grade stainless steel features more corrosion resistance and less thermal conductivity, and provides safe and stable, life-time use



ours

16G

1.5mm



18G

1.2mm



20G

0.9mm

Image: High Quality T-304 Stainless Steel Casting. This image highlights the 16-gauge thickness of the sink material, emphasizing its durability and resistance to corrosion.

OPERATING INSTRUCTIONS

Your Lordear workstation sink is designed for versatility and efficiency in the kitchen. The integrated ledges allow for seamless use of various accessories.

Workstation Features

- **Cutting Board:** The red wood cutting board slides along the integrated ledges, providing a convenient surface for food preparation directly over the sink.
- **Colander:** The stainless steel colander fits securely on the ledges, ideal for washing fruits, vegetables, or draining pasta.
- **Roll-up Dish Rack:** This flexible rack can be unrolled over the sink for drying dishes, or rolled up and stored away when not in use.
- **Bottom Rinse Grid:** Positioned at the bottom of the sink, this grid protects the sink surface from scratches and allows water to drain freely.
- **Deep Bowl:** The 9.7-inch deep bowl accommodates large pots and pans, minimizing splashes and providing ample space for washing.

Multifunctional Accessories

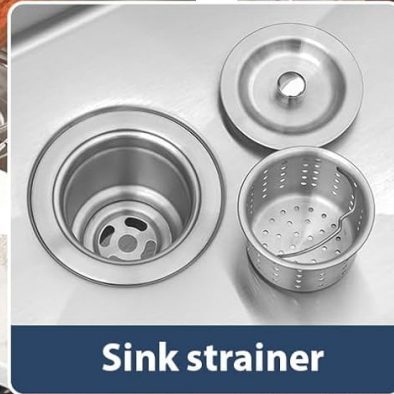
Solid wood cutting board



Stainless Steel Colander



Sink strainer



Roll up Rack



Bottom Rinse Grid



Image: Multifunctional Accessories in Use. This image displays the cutting board, colander, sink strainer, roll-up rack, and bottom rinse grid, demonstrating their functionality within the sink workstation.

Your browser does not support the video tag.

Video: Lordear Undermount Kitchen Sink Workstation. This video showcases the various accessories of the workstation sink, including the cutting board, colander, and roll-up rack, demonstrating how they integrate for efficient kitchen tasks.

Your browser does not support the video tag.

Video: Lordear Stainless Steel Kitchen Sink. This video highlights key features such as the X-shaped water guide line for efficient drainage and the easy-to-clean R10 round corners.

MAINTENANCE AND CARE

To maintain the appearance and performance of your stainless steel sink, follow these care guidelines:

- **Regular Cleaning:** Wipe the sink with a soft cloth and mild soap or a non-abrasive stainless steel cleaner after each use.
- **Avoid Abrasives:** Do not use abrasive cleaners, steel wool, or scouring pads, as these can scratch the brushed finish.

- **Prevent Water Spots:** To prevent water spots, rinse the sink thoroughly and dry it with a soft cloth after use, especially in hard water areas.
- **Drainage:** The X-shaped groove design facilitates quick drainage. Ensure the drain assembly is kept clear of debris.
- **Noise Reduction:** The sink features thicker and softer rubber pads and a full coating for noise reduction during use.
- **Accessory Care:** Clean the cutting board, colander, and roll-up rack regularly. The wooden cutting board should be hand-washed and air-dried.

Design Features for Easy Maintenance

Product Details

Stainless Steel Kitchen Sink



R10

◀◀◀

R10 Round Corner

Easy-to-Clean





X-Shaped Groove

for Better Drainage

▶▶▶





◀◀◀

Brushed Stainless Steel

Brushed Surface
enhance scratch resistance



Image: Product Details. This image highlights the R10 round corners for easy cleaning, the X-shaped groove for better drainage, and the brushed stainless steel surface designed to enhance scratch resistance.



Image: Fully Coating-Noise Reduction. This image illustrates the full coating and sound-dampening pads that effectively reduce kitchen noise and prevent dripping.

TROUBLESHOOTING

If you encounter any issues with your Lordear kitchen sink, please review the installation steps and maintenance guidelines. For persistent problems, contact customer support.

- **Slow Drainage:** Check the drain assembly for any blockages. Ensure the X-shaped groove is clear of food particles.
- **Water Spots/Stains:** These are often due to mineral deposits from hard water. Regular drying after use and occasional cleaning with a stainless steel cleaner can prevent them.
- **Scratches:** While the brushed finish is scratch-resistant, heavy use can cause minor scratches. Use the bottom rinse grid to protect the sink surface.

WARRANTY AND SUPPORT

Lordear is committed to providing top-quality products. For any inquiries or assistance regarding your kitchen sink, our dedicated after-sale department is available to provide prompt and satisfactory solutions. Please refer to your purchase documentation for specific warranty details.

