

[Manuals.plus](#) /

> [EVEAGE](#) /

> EVEAGE 2-in-1 Undercarriage Pressure Washer Attachment User Manual

EVEAGE QXJPJ-O

EVEAGE 2-in-1 Undercarriage Pressure Washer Attachment

Brand: EVEAGE

Model: QXJPJ-O

INTRODUCTION

The EVEAGE 2-in-1 Undercarriage Pressure Washer Attachment is a versatile tool designed for efficient cleaning of vehicle undercarriages and various ground surfaces. This attachment functions as both an undercarriage cleaner and a pressure washer water broom, allowing for quick and thorough cleaning. It features a pivoting coupler for easy mode switching and is compatible with pressure washers ranging from 1500 PSI to 4000 PSI.

IMPORTANT SAFETY INSTRUCTIONS

- Always ensure the undercarriage attachment is **properly connected** before use.
- Operate the attachment only within its specified pressure range of **1500 PSI to 4000 PSI**. Using it outside this range may cause damage to the unit or your pressure washer.
- Always wear appropriate **protective gear**, including eye protection and gloves, when operating a pressure washer and its attachments.
- Never point the high-pressure spray at **people, pets, or sensitive vehicle components**. The high pressure can cause serious injury or damage.
- Keep children and bystanders away from the cleaning area during operation.
- Disconnect the attachment from the pressure washer and relieve pressure before performing any maintenance or making adjustments.

INCLUDED COMPONENTS

The EVEAGE 2-in-1 Undercarriage Pressure Washer Attachment package includes the following items:

- 16-inch Undercarriage Cleaner / Water Broom Unit
- One 45-degree Curved Extension Wand

- Two Straight Extension Wands
- One Microfiber Wash Mitt



Figure 1: All components included in the EVEAGE 2-in-1 Undercarriage Pressure Washer Attachment package. This includes the main cleaning unit, three extension wands (one curved, two straight), and an orange microfiber wash mitt.

SETUP AND ASSEMBLY

Follow these steps to assemble and connect your EVEAGE pressure washer attachment:

1. **Connect Extension Wands:** Choose the appropriate extension wands for your cleaning task. The 45-degree curved wand is ideal for reaching under vehicles, while the straight wands provide additional length for various applications. Connect the wands together using the quick-connect fittings. Ensure they are securely clicked into place.
2. **Attach to Pressure Washer Gun:** Connect the assembled extension wand to your pressure washer gun. The attachment features a 1/4-inch male plug for easy connection. Pull back the collar on your pressure washer gun's quick-connect fitting, insert the plug, and release the collar to secure.
3. **Connect Cleaning Unit:** Attach the 16-inch undercarriage cleaner/water broom unit to the end of the extension wand

assembly. Again, use the quick-connect fitting, ensuring a firm connection.

4. **Verify Connections:** Before starting the pressure washer, gently tug on all connections to ensure they are secure and will not detach under pressure.



Figure 2: Visual guide for connecting the 45-degree curved wand, straight extension wand, and the undercarriage cleaner unit to a pressure washer gun using quick-connect fittings.

OPERATING INSTRUCTIONS

The EVEAGE 2-in-1 attachment offers two primary cleaning modes:

Switching Between Modes:

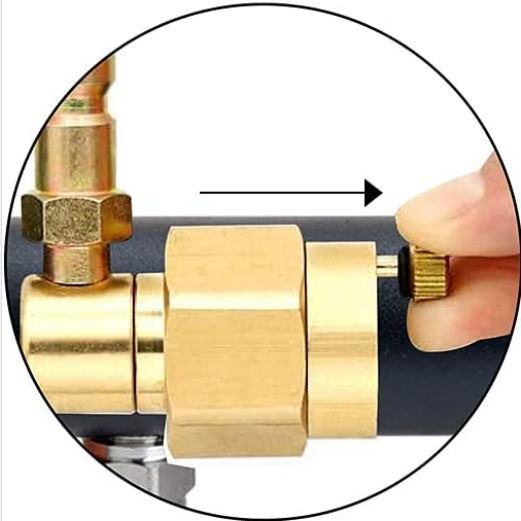
The attachment features a pivoting coupler that allows you to easily switch between the undercarriage cleaner and water broom modes. Simply adjust the coupler to direct the nozzles either upwards (for undercarriage cleaning) or downwards (for water broom functionality).

HOW TO SWITCH MODE



Nozzle Up

Undercarriage Cleaner



Adjust pivoting coupler to change cleaning mode

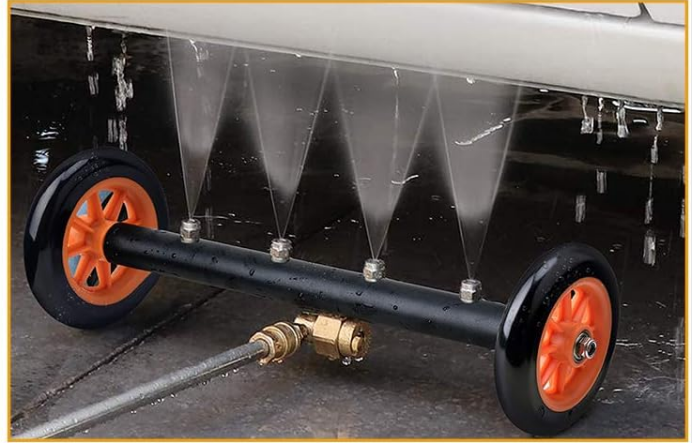


Nozzle Down

Water Broom

Figure 3: Illustration demonstrating the pivoting coupler mechanism. When the nozzles face up, it functions as an undercarriage cleaner. When they face down, it acts as a water broom.

UPGRADED DUAL-FUNCTION



2 IN 1 Washer

1500-4000PSI

4 Spray Nozzle

1/4" Quick Connect



Stainless Steel+Brass

Figure 4: This image highlights the dual functionality of the EVEAGE attachment, showing it in use for both undercarriage cleaning (nozzles spraying upwards) and surface cleaning (nozzles spraying downwards). Key specifications like "2 IN 1 Washer", "4 Spray Nozzle", "1500-4000PSI", and "1/4" Quick Connect" are also displayed.

Using the Undercarriage Cleaner:

- Ensure the nozzles are facing upwards.
- Slide the attachment under the vehicle, ensuring the wheels are on the ground for smooth movement.
- Activate your pressure washer and slowly move the attachment back and forth to clean the underside of the vehicle.
- Maintain a steady pace to ensure even cleaning.

Using the Water Broom:

- Ensure the nozzles are facing downwards.
- Position the attachment on the surface you wish to clean (e.g., driveway, patio, garage floor).
- Activate your pressure washer and push the attachment forward, allowing the high-pressure streams to sweep away dirt and debris.
- Overlap your passes slightly to avoid leaving streaks.

Recommended PSI: For optimal performance, it is recommended to use the attachment with a pressure washer

operating at 2500 PSI or higher, within the 1500 PSI to 4000 PSI range.



Figure 5: A collage illustrating diverse applications of the EVEAGE pressure washer attachment, including cleaning under a muddy vehicle, washing a garage floor, and demonstrating the upward and downward spray patterns for undercarriage and surface cleaning.



Figure 6: A visual of the EVEAGE undercarriage pressure washer attachment being used to clean the underside of a car, highlighting its practical application in a car wash setting.

Using the Microfiber Wash Mitt:

The included microfiber wash mitt is designed for gentle and effective cleaning of your vehicle's body. Use it with appropriate car wash soap and water to clean painted surfaces, windows, and other exterior parts.

ABSORBENT MICROFIBER WASH MITT

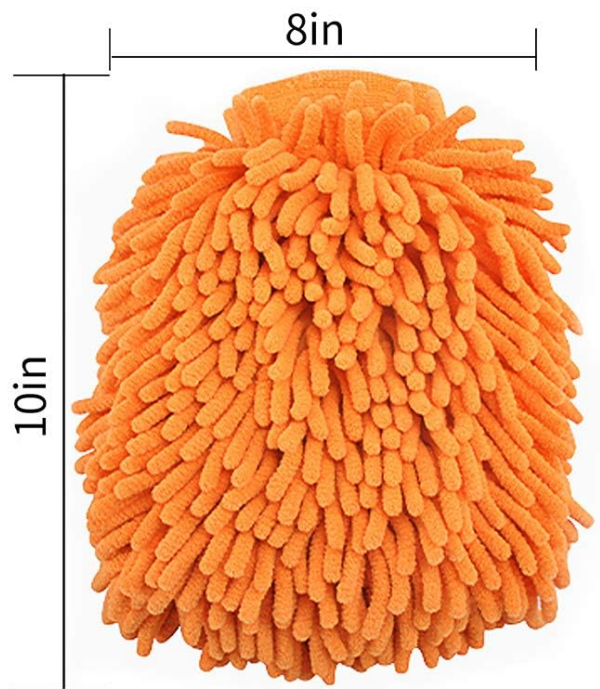


Figure 7: This image displays the absorbent microfiber wash mitt, showing its dimensions (8 inches by 10 inches) and demonstrating its use for cleaning car surfaces, highlighting its soft texture and effectiveness.

MAINTENANCE

- **Cleaning:** After each use, rinse the attachment thoroughly with clean water to remove any dirt, debris, or chemical residues.
- **Nozzle Inspection:** Periodically inspect the four stainless steel nozzles for clogs or damage. If a nozzle is clogged, use a small wire or nozzle cleaning tool to clear the obstruction.
- **Storage:** Store the attachment in a clean, dry place, away from direct sunlight and extreme temperatures. Disconnect all wands and the main unit for compact storage.
- **Lubrication:** Occasionally apply a small amount of silicone grease to the quick-connect fittings to ensure smooth operation and prevent seizing.

TROUBLESHOOTING

Problem	Possible Cause	Solution
Low water pressure from nozzles	Clogged nozzles; Insufficient pressure from main pressure washer; Kinked hose.	Clean nozzles with a nozzle cleaning tool; Ensure pressure washer is operating correctly and within recommended PSI range (1500-4000 PSI); Check hose for kinks or obstructions.
Water leaks from connections	Loose quick-connect fittings; Worn O-rings; Damaged fittings.	Ensure all quick-connect fittings are fully engaged and locked; Inspect O-rings for wear and replace if necessary; Replace any damaged fittings. Consider using plumber's tape on threaded connections if persistent.
Attachment detaches during use	Quick-connect not fully engaged; Excessive force or sudden movements; Worn quick-connect mechanism.	Ensure quick-connect is firmly clicked into place; Avoid abrupt movements; Inspect quick-connect for wear and replace if it no longer holds securely. Some users find wrapping a strip of duct tape around the connection helps secure it under high pressure.
Wheels not rolling smoothly	Debris caught in wheels; Damaged wheel bearings.	Clear any debris from around the wheels; If wheels are damaged, contact customer support for replacement parts.

PRODUCT SPECIFICATIONS

Feature	Detail
Brand	EVEAGE
Model Number	QXJPJ-O
Product Type	2-in-1 Undercarriage Pressure Washer Attachment / Water Broom
Maximum Pressure	4000 PSI
Recommended Operating Pressure	2500 PSI or higher (within 1500-4000 PSI range)
Connection Type	1/4-inch Quick Connect Male Plug
Nozzles	4 Stainless Steel Nozzles
Color	Orange
Item Weight	0.183 ounces (5.2 grams)
Product Dimensions (Main Unit)	Approximately 16 inches (Length) x 5 inches (Height)
Extension Wand Lengths	Straight Wands: Approx. 15.9 inches each; Curved Wand: Approx. 16 inches
UPC	749640400763
Country of Origin	China

SIZE

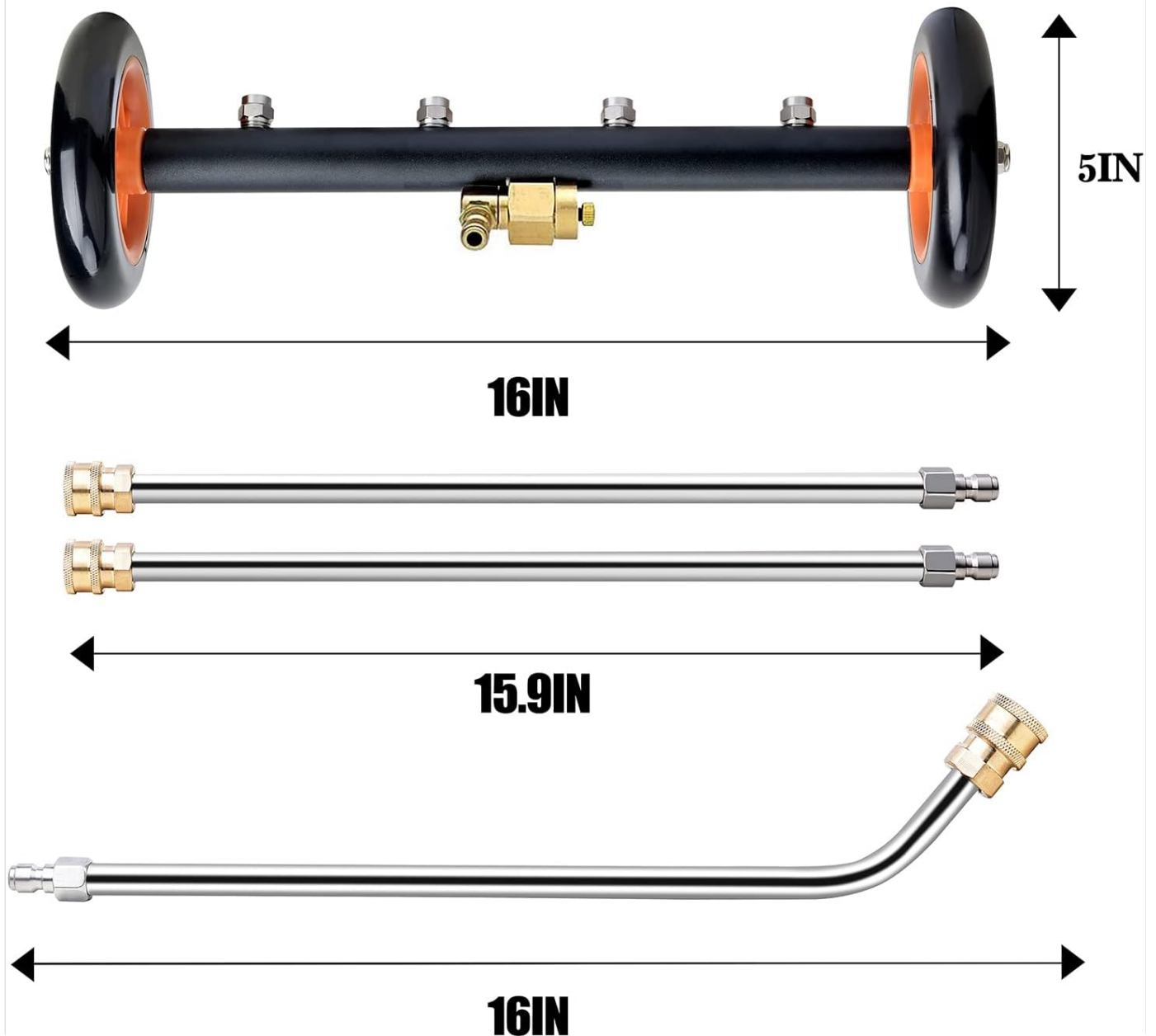


Figure 8: This image provides a clear visual representation of the dimensions for the main 16-inch cleaning unit and the accompanying extension wands, including their approximate lengths.

WARRANTY INFORMATION

Specific warranty details for the EVEAGE 2-in-1 Undercarriage Pressure Washer Attachment are typically provided with the product packaging or can be found on the manufacturer's official website. Please refer to these sources for the most accurate and up-to-date warranty terms and conditions.

CUSTOMER SUPPORT

For any questions, technical assistance, or support regarding your EVEAGE product, please contact EVEAGE customer service. You may also visit the official EVEAGE store on Amazon for frequently asked questions and additional product information.

EVEAGE Store on Amazon: [Visit EVEAGE Store](#)



© 2024 EVEAGE. All rights reserved.