

Manuals+

[Q & A](#) | [Deep Search](#) | [Upload](#)

[manuals.plus](#) /

> [DQCHAIR](#) /

> [DQCHAIR Folding Sun Lounger User Manual](#)

DQCHAIR CWYSJ

DQCHAIR Folding Sun Lounger User Manual

Model: CWYSJ

INTRODUCTION

This manual provides essential information for the safe and effective use, assembly, and maintenance of your DQCHAIR Folding Sun Lounger. Please read these instructions thoroughly before initial use and retain them for future reference.

The DQCHAIR Folding Sun Lounger is designed for relaxation in various outdoor settings such as gardens, patios, balconies, and beaches. It features an adjustable backrest and a comfortable headrest, offering a personalized leisure experience.

SAFETY INSTRUCTIONS

- Ensure the lounger is fully unfolded and stable on a flat, level surface before use.
- Do not exceed the maximum load capacity of 200 kg (440 lbs).
- Keep hands and fingers clear of moving parts during folding and unfolding to prevent pinching.
- Do not allow children to play unsupervised with the lounger.
- Avoid leaving the lounger in heavy rain or direct sunlight for extended periods to prevent discoloration and corrosion.
- Regularly check all screws and connections for tightness and re-tighten if necessary.

PRODUCT OVERVIEW

The DQCHAIR Folding Sun Lounger is constructed with a durable steel frame and Teslin fabric, designed for comfort and longevity.



Image: The DQCHAIR Folding Sun Lounger in its reclined position, featuring a padded black cushion and a headrest. The image highlights its extra-wide design, measuring 72 cm across the seat.



Image: Side view of the DQCHAIR Folding Sun Lounger, showing its overall dimensions: 72cm width, 75cm depth, and 80cm height when upright. The chair features a black mesh fabric and a silver frame.

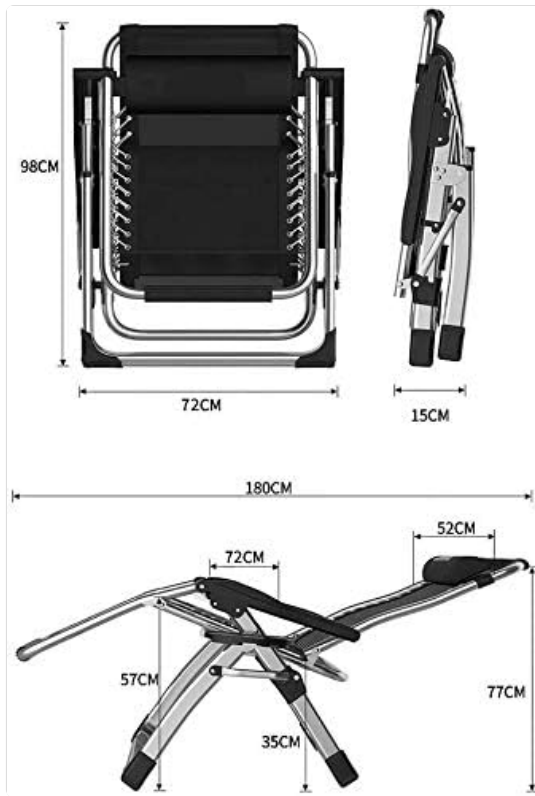


Image: Detailed dimensions of the DQCHAIR Folding Sun Lounger, both folded and unfolded. Unfolded, it measures 180cm in length, 72cm in width, and 77cm in height. When folded, it is 98cm high, 72cm wide, and 15cm deep.



Image: Illustration of the recline function of the DQCHAIR Folding Sun Lounger, showing an adjustable range from 90° to 170°. A close-up inset demonstrates how to open a buckle to fix the angle.

Free installation, open it can be used

No need to install, do not take up too much space, easy to carry



Image: The DQCHAIR Folding Sun Lounger shown in its compact, folded state next to its unfolded form, emphasizing its ease of storage and portability without requiring installation.

Load capacity up to 200kg or more

Strong load-bearing capacity, increased support, durable and long service life



Image: Visual representation of the DQCHAIR Folding Sun Lounger's strong load-bearing capacity, indicating it can support up to 200kg. Insets show a caliper measuring frame thickness and a reinforced triangular support structure.

Teslin fabric

Breathable and durable functional design, tough and tear resistant, breathable and refreshing texture, make the lunch break more comfortable



Image: Close-up of the Teslin fabric used in the DQCHAIR Folding Sun Lounger, highlighting its key features: breathable, waterproof, damping, mute, and non-slip properties, contributing to a comfortable experience.

SETUP

1. **Unfolding the Lounger:** Carefully remove the lounger from its packaging. Hold the frame and gently pull the two ends apart until the chair fully extends. Ensure all locking mechanisms (if any) are engaged to secure the chair in its open position.
2. **Positioning:** Place the lounger on a stable, flat surface. Avoid uneven ground to prevent tipping.
3. **Attaching the Cushion (if applicable):** If your model includes a separate cushion, place it onto the lounger and secure it using any ties or straps provided.

OPERATING INSTRUCTIONS

1. **Adjusting the Backrest:** To recline the backrest, gently push back while lifting the armrests slightly. The chair will smoothly recline. To lock the desired position, locate the locking mechanism (often a buckle or lever near the armrest) and engage it. To return to an upright position, disengage the lock and lean forward.
2. **Headrest Adjustment:** The headrest is typically adjustable by sliding it along the frame or is removable for personalized comfort.
3. **Folding for Storage:** To fold the lounger, ensure the backrest is in its most upright position. Disengage any locks. Gently push the frame inwards from both ends until the chair collapses into its compact form.

MAINTENANCE

- **Cleaning:** Wipe the frame and Teslin fabric with a damp cloth. For stubborn dirt, a mild soap solution can be used, followed by wiping with a clean, damp cloth. Do not use harsh detergents or abrasive cleaners.
- **Drying:** Allow the lounger to air dry completely before folding and storing, especially after cleaning or exposure to rain.

- **Storage:** When not in use, especially during periods of inclement weather or off-season, store the lounge in a dry, protected area to prevent corrosion and prolong its lifespan.
- **Regular Checks:** Periodically inspect all bolts, screws, and joints to ensure they are secure. Re-tighten any loose fasteners to maintain stability and safety.

TROUBLESHOOTING

Problem	Possible Cause	Solution
Lounger feels unstable or wobbly.	Not fully unfolded; loose fasteners; uneven surface.	Ensure the lounge is fully extended and locked. Check and tighten all screws and bolts. Move to a flat, level surface.
Difficulty adjusting recline position.	Locking mechanism engaged; debris in mechanism.	Disengage the locking mechanism. Check for any obstructions and clear them.
Fabric appears discolored or faded.	Prolonged exposure to direct sunlight.	Store the lounge in a shaded area or indoors when not in use for extended periods.

SPECIFICATIONS

Brand:	DQCHAIR
Model Name:	CWYSJ
Product Dimensions	
(Unfolded):	180 cm (L) x 72 cm (W) x 77 cm (H) / 70.87"D x 28.35"W x 30.31"H
Folded	
Dimensions:	98 cm (H) x 72 cm (W) x 15 cm (D)
Maximum Load	
Capacity:	200 kg (440 lbs)
Material:	Teslin Fabric, Steel Frame
Color:	Black
Item Weight:	22 pounds
Special Features:	Adjustable Backrest, Foldable, Portable, Durable, Waterproof, Includes Cushion

WARRANTY AND SUPPORT

For any questions, concerns, or support regarding your DQCHAIR Folding Sun Lounger, please contact the retailer or manufacturer directly. Please retain your proof of purchase for warranty claims.

© 2024 DQCHAIR. All rights reserved.