

Bulbright LWD

Bulbright LED BR16 R16 Light Bulb User Manual

Model: LWD

1. INTRODUCTION

This manual provides essential information for the safe and efficient use of your Bulbright LED BR16 R16 Light Bulbs. Please read these instructions carefully before installation and retain them for future reference.

Product Overview

The Bulbright LED BR16 R16 Light Bulb is designed as an energy-efficient replacement for traditional 50W incandescent bulbs. It features a warm white 3000K color temperature, a candelabra E12 base, and a flood light design, providing 450 lumens of brightness. These bulbs are suitable for various indoor and outdoor applications.

Key Features:

- **Flood Light Design:** Mini Flood Light, Warm White 3000K, 450 Lumen Output.
- **Long Lifespan:** Average 25,000 Hours Lifespan, equivalent to 16 years life (based on 5 hours per day usage).
- **Eco-Friendly:** Ultra-thin Crystal, Clear Glass with High Transmittance, Mercury-free, No UV, CE and RoHS Authenticated.
- **Energy Saving:** Saves up to 85% on energy cost, significantly reducing electricity bills.
- **Durable Construction:** Features a pure plastic light housing for efficient heat dissipation, extending lifespan.
- **High CRI:** IC constant current driver, high Color Rendering Index (CRI) up to 90.
- **No Flicker:** Designed to protect eyes by eliminating visible flicker.

2. SAFETY INFORMATION

- **WARNING:** Risk of electric shock. Disconnect power before installation or servicing.

- Do not use with dimmers unless explicitly stated as dimmable. This product is not listed as dimmable.
- Suitable for damp locations, but not for direct exposure to water.
- Do not disassemble or modify the bulb. There are no user-serviceable parts inside.
- Ensure the bulb is securely screwed into the fixture.
- Do not exceed the maximum wattage rating of the fixture.
- Avoid touching the bulb with bare hands during operation or immediately after turning off, as it may be hot.
- Dispose of used bulbs according to local regulations.

3. PRODUCT COMPONENTS AND DIMENSIONS

The Bulbright LED BR16 R16 Light Bulb features a standard E12 candelabra base and a reflector (R) shape. The bulb is constructed from durable plastic and glass materials.



Image: A pack of six Bulbright LED BR16 R16 light bulbs, showcasing their compact reflector shape and E12 candelabra screw bases. These bulbs are designed for energy-efficient lighting.

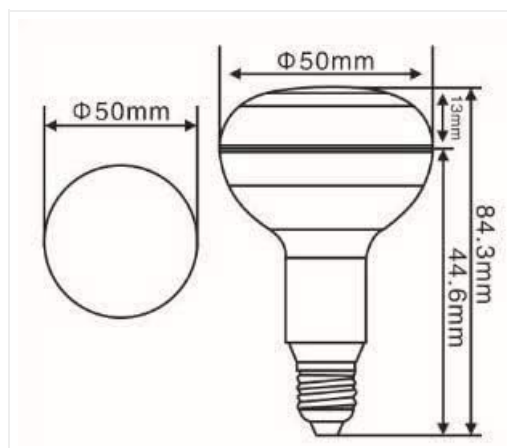


Image: A single Bulbright LED BR16 R16 light bulb, highlighting its white plastic housing and E12 screw base. This view emphasizes the bulb's compact design.



Image: A technical diagram illustrating the dimensions of the BR16 R16 LED bulb. It shows a diameter of 50mm and a total height of 84.3mm, with the reflector portion being 44.6mm high and the base extending below. This provides precise measurements for fitting into fixtures.



Image: A detailed close-up of a single Bulbright LED BR16 R16 light bulb, focusing on the E12 candelabra screw base and the smooth white reflector surface. This image emphasizes the quality of the bulb's construction.



Image: A visual comparison demonstrating the "No Flicker" feature of the LED bulb. The top panel shows a smartphone camera detecting flicker from a conventional light source (marked with an 'X'), while the bottom panel shows the Bulbright LED bulb providing stable, flicker-free illumination (marked with a checkmark), indicating eye protection.

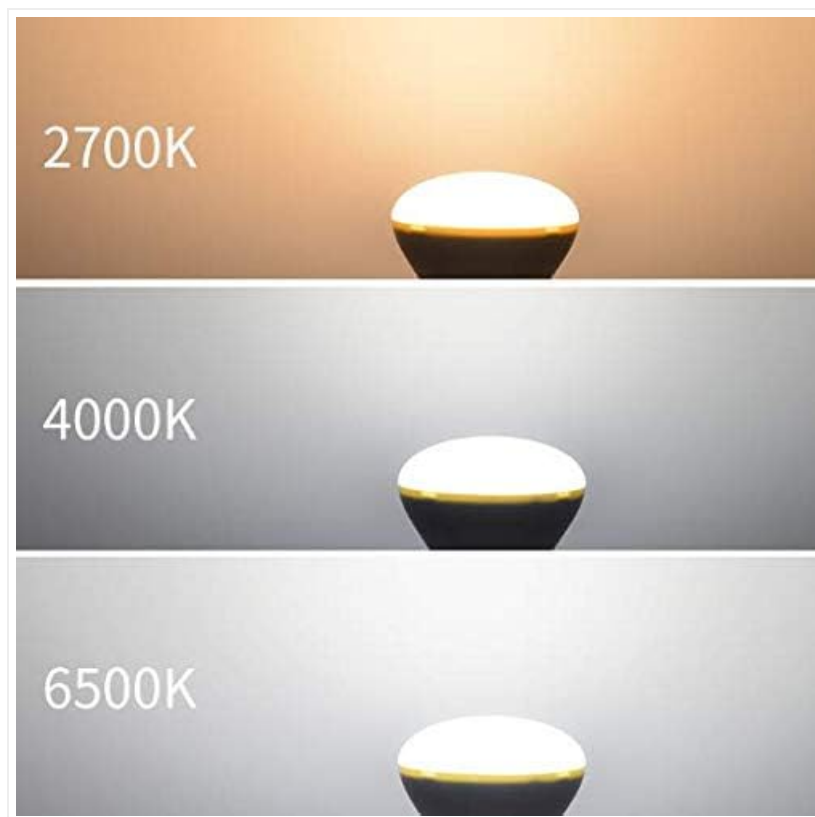


Image: A visual guide illustrating various color temperatures: 2700K (warm yellow light), 4000K (neutral white light), and 6500K (cool daylight white light). This product specifically provides 3000K warm white light, which is similar to the 2700K example but slightly brighter and less yellow.

4. INSTALLATION INSTRUCTIONS

1. **Power Off:** Before attempting any installation, ensure the power to the light fixture is turned off at the circuit breaker or wall switch.
2. **Remove Old Bulb:** Carefully unscrew the existing bulb from the fixture. Allow it to cool if it has been recently in use.
3. **Inspect Fixture:** Check the light fixture for any damage or corrosion. Ensure it is compatible with an E12 candelabra base and the bulb's dimensions.
4. **Install New Bulb:** Gently screw the Bulbright LED BR16 R16 bulb into the E12 base socket. Turn

clockwise until it is finger-tight. Do not overtighten.

5. **Power On:** Restore power to the fixture at the circuit breaker or wall switch.
6. **Test:** Turn on the light switch to confirm the bulb is functioning correctly.

If the bulb does not light up, ensure it is properly seated in the socket and that power is supplied to the fixture.

5. OPERATING INSTRUCTIONS

The Bulbright LED BR16 R16 Light Bulb operates like a standard light bulb. Once installed in a compatible E12 fixture and power is supplied, it will illuminate when the fixture's switch is turned on.

- **Instant On:** The bulb provides instant full brightness upon activation.
- **Color Temperature:** This bulb emits a warm white light at 3000 Kelvin, suitable for creating a comfortable and inviting atmosphere.
- **Usage:** Suitable for both indoor and outdoor applications, such as warehouses, gardens, offices, and homes, provided the fixture offers adequate protection from direct water exposure for outdoor use.

6. MAINTENANCE

- **Cleaning:** Ensure the power is off and the bulb is cool before cleaning. Wipe the bulb with a soft, dry cloth. Do not use liquid cleaners or abrasive materials.
- **Inspection:** Periodically check the bulb and fixture for any signs of damage or loose connections.
- No other routine maintenance is required for this LED bulb.

7. TROUBLESHOOTING

Problem	Possible Cause	Solution
Bulb does not light up.	<ul style="list-style-type: none">◦ No power to the fixture.◦ Bulb not screwed in properly.◦ Faulty bulb.◦ Faulty fixture.	<ul style="list-style-type: none">◦ Check circuit breaker and wall switch.◦ Ensure bulb is securely tightened in the socket.◦ Try the bulb in a known working fixture.◦ Test the fixture with a known working bulb.
Bulb flickers.	<ul style="list-style-type: none">◦ Incompatible dimmer switch (if applicable).◦ Loose connection.◦ Voltage fluctuations.	<ul style="list-style-type: none">◦ This bulb is not designed for dimmers. If used with one, remove it.◦ Ensure bulb is securely tightened.◦ Consult an electrician if voltage issues are suspected.
Reduced brightness.	<ul style="list-style-type: none">◦ Dust accumulation.◦ End of bulb lifespan.	<ul style="list-style-type: none">◦ Clean the bulb surface.◦ Replace the bulb.

8. SPECIFICATIONS

Specification	Detail
Brand	Bulbright
Model Number	LWD
Light Type	LED
Wattage	5 Watts
Incandescent Equivalent	50 Watts
Bulb Shape Size	R16
Bulb Base	E12 (Candelabra)
Light Color	Warm White
Color Temperature	3000 Kelvin
Brightness	450 Lumens
Voltage	110 Volts (Working Voltage: 100V-265V)
Average Life	25,000 Hours
Material	Plastic, Glass
Color Rendering Index (CRI)	90
Product Dimensions	2.48"W x 3.94"H (approx. 63mm W x 100mm H)
Specific Uses	Indoor & Outdoor (with appropriate fixture protection)
Certifications	CE, RoHS

9. WARRANTY AND SUPPORT

This Bulbright LED BR16 R16 Light Bulb comes with a **2-Year Guarantee**.

If you encounter any quality problems with your product within the warranty period, please contact the seller or manufacturer for assistance. A free replacement will be sent under warranty conditions.

For further support or inquiries, please refer to the contact information provided at the point of purchase or on the product packaging.