



[Manuals.plus](#) /

› [ARLINGTON](#) /

› Arlington FLBC4580 Recessed Power and Data Round Floor Box Instruction Manual

ARLINGTON FLBC4580

Arlington FLBC4580 Recessed Power and Data Round Floor Box Instruction Manual

Model: FLBC4580 | Brand: ARLINGTON

INTRODUCTION

The Arlington FLBC4580 Recessed Power and Data Round Floor Box is designed for flush-to-floor installation in existing or new concrete floor boxes. This unit is compatible with circular concrete floor boxes having an inside diameter of 4.5 inches. It provides convenient access to power and low voltage connections, reducing trip hazards caused by protruding plugs.

The kit includes a leveling ring assembly with a durable flange, a UL Listed, tamper-resistant 15A decorator-style receptacle, a low voltage keystone holder insert, a low voltage divider, a blank cover with gasket, a slotted cover, and three #8 x 5/8" flat head screws.

PACKAGE CONTENTS

Verify that all components are present before beginning installation:

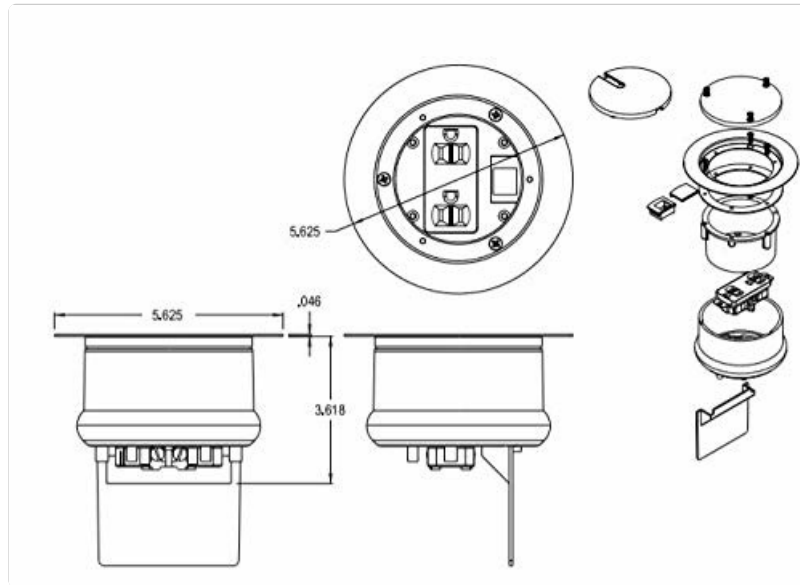
- Leveling ring assembly with flange
- UL Listed, tamper resistant 15A decorator-style receptacle
- Low voltage keystone holder insert
- Low voltage divider
- Blank cover with gasket
- Slotted cover
- (3) #8 x 5/8" flat head screws



This image displays all the individual components included in the FLBC4580 kit, such as the leveling ring assembly, 15A decorator-style receptacle, low voltage keystone holder insert, low voltage divider, blank cover with gasket, slotted cover, and mounting screws.

SPECIFICATIONS

Attribute	Value
Model Number	FLBC4580
Brand	ARLINGTON
Material	Alloy Steel, Brass, Polyvinyl Chloride, Zinc
Color	Brass
Product Dimensions (D x W x H)	4.5"D x 5.63"W x 5.63"H
Installation Type	Freestanding, Screw In
Specification Met	UL
UPC	784149203125



This diagram provides detailed measurements and an exploded view of the floor box, showing its dimensions and how components fit together.

Metallic Recessed IN BOX® Cover Kits with Low Voltage Divider

For 4.5" concrete boxes on page P-4. Ultra-thin stamped steel flange and zinc die-cast cover for flush-to-floor installation. Install into concrete box to reduce trip hazard caused by plugs sticking out of the box. For convenience, power and low voltage can be installed in the same box.

CATALOG NUMBER	UPC/DCI/NAED MFG #018997	DESCRIPTION	UNIT/STD PKG	DIM A	DIM B	DIM C
FLBC4580MB	22981	Brass-plated	1	5.625	3.618	.046
FLBC4580NL	22982	Nickel-plated	1	5.625	3.618	.046



Ultra-Thin Stamped Steel Flange

KITS INCLUDE...

Leveling ring assembly with flange, installed UL Listed, tamper resistant 15A decorator-style receptacle, low voltage keystone holder insert, low voltage divider, blank cover with gasket, slotted cover, (3)#8 x 5/8" flat head screws



This image highlights the features of the FLBC4580 series, including the ultra-thin stamped steel flange, and shows both brass-plated (FLBC4580MB) and nickel-plated (FLBC4580NL) versions, along with a list of included kit components.

INSTALLATION

This floor box is designed for concrete applications only and fits most 4.5-inch inside diameter round PVC concrete floor boxes. Ensure you have the correct type of concrete box for installation.

Installation Video Guide

This video provides a visual guide for installing the Arlington FLBC4580 recessed floor box into a concrete floor, demonstrating the steps from preparing the box to securing the cover.

Step-by-Step Installation

1. After the concrete has cured and the finished floor is installed, cut the installed concrete box to the finished floor height. If using the low voltage divider, cut the same amount from the bottom of the divider as you removed from the can.
2. Wire the 15A decorator-style receptacle according to all applicable electrical codes. After installing the finished floor, secure the leveling ring assembly to the concrete box using PVC cement. Caulk the underside of the flange if desired for a sealed finish.
3. **Option 1 (Blank Cover):** Install the gasket and blank cover using the three supplied #8 x 5/8" flat head machine screws. This option is for when the box is not in use.
4. **Option 2 (Slotted Cover):** When cords need to be plugged in, remove the blank cover and substitute the slotted cover. No screws are required for the slotted cover. Store the blank cover with its screws and gasket for future use.



This graphic illustrates the installation process in four steps: 1. Cutting the concrete box to floor height, 2. Wiring the receptacle and securing the leveling ring, 3. Installing the blank cover, and 4. Substituting with the slotted cover when cords are in use.



This image shows the FLBC4580 floor box installed flush with the floor, with a power cord and a data cable (Ethernet) plugged into the recessed outlets, demonstrating its functionality and low-profile design.

OPERATION

To use the power and data ports, remove the blank cover. Plug your power cords into the 15A decorator-style receptacle and insert your low voltage keystone connectors (e.g., data, HDMI, phone, cable) into the keystone holder. Once connections are made, place the slotted cover over the cables to maintain a flush-to-floor profile and minimize trip hazards. When not in use, replace the slotted cover with the blank cover and secure it with the screws to protect the internal components.

MAINTENANCE

Periodically inspect the floor box for any signs of wear or damage. Keep the covers clean and free of debris to ensure proper fit and function. Use a soft, damp cloth for cleaning the brass or nickel-plated surfaces. Do not use abrasive cleaners or solvents, as these may damage the finish.

TROUBLESHOOTING

If the receptacle is not providing power, check the circuit breaker for the associated circuit. Ensure all wiring connections were made correctly during installation according to local electrical codes. If low voltage data connections are not working, verify the keystone connector is properly seated and the cables are correctly terminated. For persistent issues, consult a qualified electrician.

WARRANTY AND SUPPORT

For specific warranty information or technical support, please refer to the documentation provided with your purchase or contact Arlington customer service directly. Keep your proof of purchase for any warranty claims.