

[Manuals.plus](#) /

> [Watersnake](#) /

> Watersnake Tracer Transom Mount Trolling Freshwater Motor Instruction Manual

## Watersnake TWTC30TH-30

# Watersnake Tracer Transom Mount Trolling Freshwater Motor

Instruction Manual for Model TWTC30TH-30

## 1. PRODUCT OVERVIEW

The Watersnake Tracer Transom Mount Trolling Freshwater Motor is designed for quiet and efficient propulsion in freshwater environments. This model, TWTC30TH-30, features a 30-pound thrust and a 30-inch shaft, powered by a 12-volt system. It is suitable for various small watercraft including kayaks, canoes, inflatables, and Jon boats. Key features include five forward speeds and two reverse speeds for versatile control, an extendable tiller for comfortable operation, and a weedless two-blade propeller designed to navigate through aquatic vegetation with ease.





Figure 1: Watersnake Tracer Transom Mount Trolling Motor.

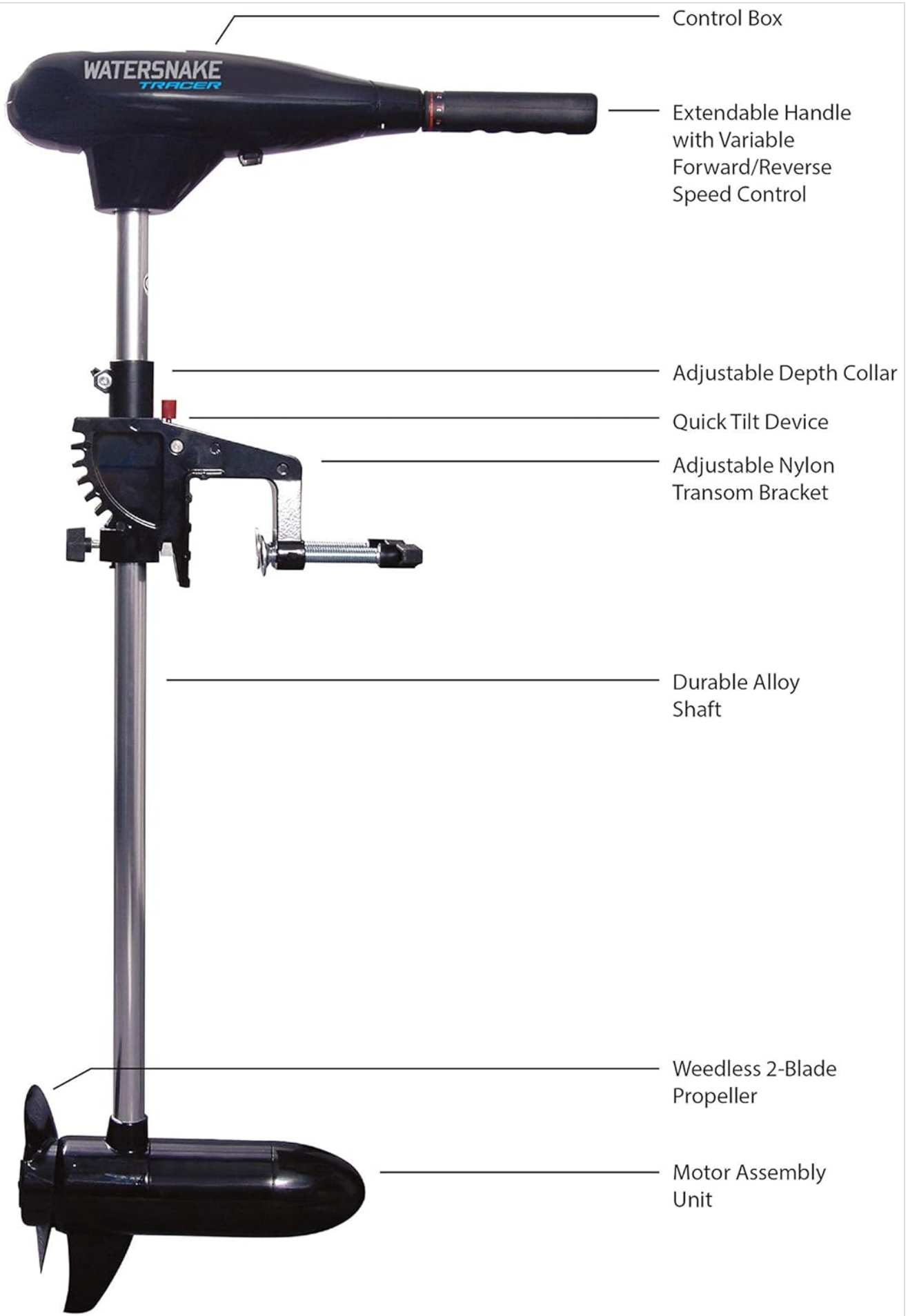


Figure 2: Labeled components of the Watersnake Tracer Trolling Motor, including the control box, extendable handle, adjustable depth collar, quick tilt device, adjustable nylon transom bracket, durable alloy shaft, weedless 2-blade propeller, and motor assembly unit.

[Product Video Overview](#)

Video 1: An overview of the Watersnake Tracer Transom Mount Trolling Freshwater Motor, highlighting its features and different models available.

## 2. SAFETY INFORMATION

---

Always prioritize safety when operating any watercraft and associated equipment. Read and understand all instructions before use.

- **Personal Flotation Device (PFD):** Always wear a properly fitted PFD when on the water.
- **Battery Safety:** Ensure battery connections are secure and insulated to prevent short circuits. Use a marine-grade deep cycle battery.
- **Propeller Safety:** Keep hands, feet, and clothing clear of the propeller at all times, especially when the motor is in operation. Disconnect power before performing any maintenance or clearing obstructions.
- **Electrical Safety:** Do not immerse the control head or electrical connections in water. Ensure all wiring is properly installed and protected.
- **Environmental Awareness:** Be aware of your surroundings, including other boats, swimmers, and submerged objects. Operate at safe speeds and maintain a safe distance from others.
- **Freshwater Use Only:** This motor is designed for freshwater use. Using it in saltwater may cause corrosion and damage not covered by warranty.

## 3. SETUP AND INSTALLATION

---

Proper installation ensures optimal performance and safety of your Watersnake Tracer trolling motor.

### 3.1 Mounting the Motor

The Watersnake Tracer is a transom mount motor, designed to attach directly to the stern of your boat.

1. **Positioning:** Place the adjustable nylon transom bracket over the transom of your boat. Ensure the motor shaft is vertical and the propeller is clear of any obstructions.
2. **Securing:** Tighten the two large thumbscrews on the transom bracket firmly to secure the motor to the boat. Periodically check tightness during operation.
3. **Adjusting Depth:** Use the adjustable depth collar to set the desired depth of the propeller. The propeller should be submerged sufficiently to avoid cavitation, but not so deep as to hit the bottom in shallow areas.
4. **Tilt Adjustment:** The quick tilt device allows you to easily tilt the motor up and out of the water when not in use or when navigating very shallow areas.



Figure 3: The Watersnake Tracer Trolling Motor securely mounted on the transom of a small boat.

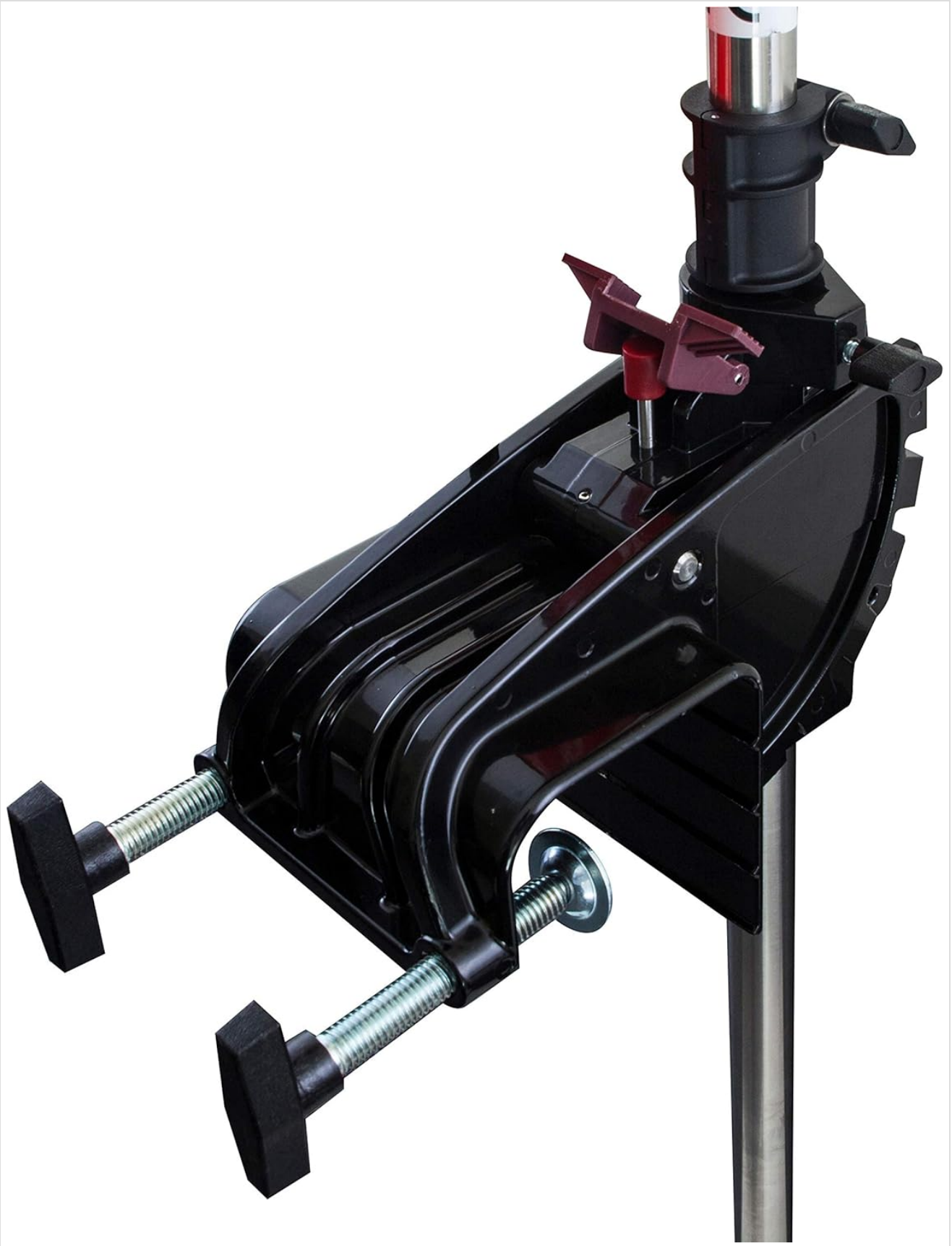


Figure 4: Detailed view of the adjustable nylon transom bracket and securing thumbscrews.

### 3.2 Battery Connection

Connect the motor's power cables to a 12-volt deep cycle marine battery. Ensure correct polarity: red to positive (+), black to negative (-).

- **Cable Routing:** Route the power cables safely, avoiding sharp edges or areas where they could be pinched or damaged.

- **Secure Connections:** Ensure all connections are tight and free from corrosion. Loose connections can lead to power loss or overheating.

## 4. OPERATING INSTRUCTIONS

The Watersnake Tracer motor is designed for simple and intuitive operation.

### 4.1 Tiller Operation and Speed Control

The motor is controlled via an extendable hand tiller. The tiller head features a variable speed control with five forward speeds and two reverse speeds.

- **Extending the Tiller:** Pull the tiller handle outwards to extend it for comfortable steering. Push it inwards to retract for storage or closer operation.
- **Speed Adjustment:** Rotate the grip on the tiller handle to select your desired speed. Higher numbers indicate faster forward speeds, while negative numbers indicate reverse speeds.
- **Steering:** Turn the tiller handle left or right to steer the boat in the desired direction.





Figure 5: The extendable tiller handle of the Watersnake Tracer Trolling Motor, showing its adjustable length.

## 4.2 Propeller Performance

The weedless two-blade propeller is engineered to minimize entanglement with aquatic plants, ensuring smooth and continuous propulsion even in heavily vegetated areas.



Figure 6: An individual operating the Watersnake Tracer Trolling Motor on a small boat, demonstrating typical use.

## 5. MAINTENANCE

Regular maintenance will prolong the life and ensure the reliable operation of your Watersnake Tracer trolling motor.

- **After Each Use:**

- Rinse the motor shaft and propeller with fresh water to remove any debris or residue.
- Inspect the propeller for any fishing line, weeds, or damage. Remove any obstructions.
- Check all electrical connections for tightness and corrosion. Clean if necessary.

- **Battery Care:**

- Keep your deep cycle battery fully charged when not in use.
- Store the battery in a cool, dry place.

- **Propeller Replacement:** If the propeller becomes chipped or damaged, replace it to maintain efficiency and prevent vibration.

- **Storage:** When storing the motor for extended periods, ensure it is clean, dry, and disconnected from the battery. Store in a protected area.

## 6. TROUBLESHOOTING

If you encounter issues with your Watersnake Tracer trolling motor, refer to the following common problems and solutions:

Problem	Possible Cause	Solution
Motor does not run or has low power.	Dead or low battery; Loose or corroded battery connections; Blown fuse/circuit breaker.	Charge battery; Clean and tighten connections; Check and replace fuse/reset breaker.
Excessive vibration or noise.	Bent or damaged propeller; Debris wrapped around propeller.	Inspect and clear propeller; Replace damaged propeller.
Motor runs intermittently.	Loose wiring connections; Overheating (motor protection engaged).	Check and secure all wiring; Allow motor to cool down.

If the problem persists after attempting these solutions, contact your Watersnake distributor or a qualified service technician.

## 7. SPECIFICATIONS

Detailed specifications for the Watersnake Tracer Transom Mount Trolling Freshwater Motor (Model TWTCS30TH-30):

Feature	Specification
Brand	Watersnake
Model	TWTCS30TH-30
Thrust	30 lbs
Shaft Length	30 inches
Voltage	12 Volts
Speeds	5 Forward, 2 Reverse
Operation Mode	Electric
Propeller Type	Weedless Two-Blade
Mounting Type	Transom Mount
Recommended Use	Fresh Water



			
	<b>55175</b> Motor Watersnake Tracer FWTC30TH-30	<b>55177</b> Motor Watersnake Tracer FWTC34TH-36	<b>55178</b> Motor Watersnake Tracer FWTC35TH-42
<b>Estimated Vessel Size</b>	10-12'	12-14'	14-16'
<b>Thrust</b>	30lb	44lb	54lb
<b>Vessel Mount Type</b>	Transom	Transom	Transom
<b>Bracket Type</b>	Nylon Transom	Alloy Transom	Alloy Transom
<b>Total Shaft Length</b>	30 Inches	36 Inches	42 Inches
<b>Speeds</b>	5 Fwd 2 Rev	5 Fwd 2 Rev	5 Fwd 2 Rev
<b>Compatibility</b>	Freshwater	Freshwater	Freshwater
<b>Battery Requirement</b>	One 12v Deep Cycle 60 Ah Marine Battery	One 12v Deep Cycle 70 Ah Marine Battery	One 12v Deep Cycle 86 Ah Marine Battery
<b>Battery Meter</b>			
<b>Runtime On App. Battery - Low Speed</b>	8.57 Hrs	6.36 Hrs	6.62 Hrs
<b>Runtime On App. Battery - Med Speed</b>	4.62 Hrs	3.50 Hrs	3.74 Hrs
<b>Runtime On App. Battery - High Speed</b>	2.00 Hrs	1.59 Hrs	1.59 Hrs
<b>Control</b>	Extendable Hand Tiller	Extendable Hand Tiller	Extendable Hand Tiller
<b>Control Head</b>	Standard	Standard	Standard
<b>Directional Lock</b>	Yes	Yes	Yes
<b>Tilt Adjustment Lock</b>	Yes	Yes	Yes
<b>Suggested Suitable Circuit Breaker</b>	35 Amp	50 Amp	50 Amp
<b>Amp Draw At Minimum Speed</b>	7 Ampere	11 Ampere	13 Ampere
<b>Amp Draw At Medium Speed</b>	13 Ampere	21 Ampere	26 Ampere

<b>Amp Draw At Highest Speed</b>	30 Ampere	44 Ampere	54 Ampere
<b>Propeller Type</b>	2 Bladed	3 Bladed	3 Bladed

Figure 7: A detailed comparison table of Watersnake Tracer Trolling Motor models, including shaft length, thrust, and other specifications.

## 8. WARRANTY AND SUPPORT

Watersnake is committed to providing quality products. If you are not satisfied with your Watersnake Electric Motor, please contact your distributor for assistance. Specific warranty terms and conditions may vary and are typically provided with your purchase documentation. Please retain your proof of purchase for any warranty claims.

### About Watersnake

Watersnake Electric Motors were created by anglers for anglers, focusing on developing innovative, smart, and practical products that utilize the latest technology to enhance your fishing experience. Watersnake motors are designed to be reliable companions on the water, supporting your unforgettable fishing moments.



Video 2: A brand video from Watersnake, showcasing their commitment to quality and the fishing experience.