



Manuals.plus /

- › Gessi /
- › Gessi Cono 45088 Built-in Basin Mixer Part Instruction Manual

## Gessi 45088

# Gessi Cono 45088 Built-in Basin Mixer Part Instruction Manual

---

## 1. INTRODUCTION

---

This manual provides detailed instructions for the installation, operation, and maintenance of the Gessi Cono 45088 Built-in Basin Mixer Part. Please read this manual thoroughly before installation and use to ensure proper function and longevity of the product. Retain this manual for future reference.

## 2. SAFETY INFORMATION

---

- Installation should be performed by a qualified professional plumber in accordance with local plumbing and building codes.
- Ensure the main water supply is turned off before beginning any installation or maintenance work.
- Wear appropriate personal protective equipment (PPE) during installation.
- Do not use abrasive cleaners or harsh chemicals on the product surface, as this may damage the finish.
- Verify all connections are secure and watertight to prevent leaks.

## 3. PACKAGE CONTENTS

---

The Gessi Cono 45088 Built-in Basin Mixer Part package typically includes:

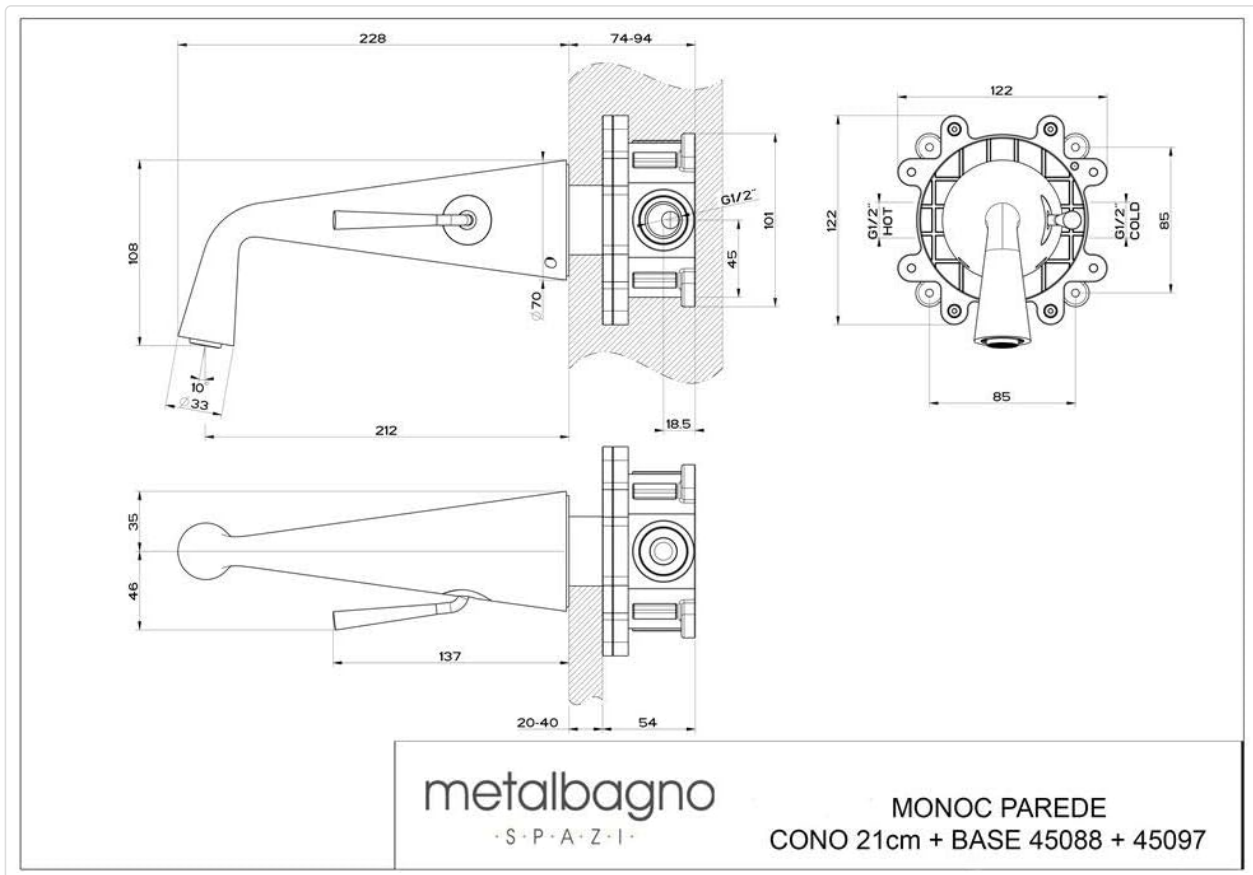
- 1 x Gessi Cono Built-in Basin Mixer Part (Model 45088)
- Installation hardware (screws, seals, etc.)
- Instruction manual (this document)

Note: This product is supplied without a waste kit.

## 4. SETUP AND INSTALLATION

---

The Gessi Cono 45088 is designed for built-in wall installation. Accurate measurements and proper wall preparation are essential for a successful installation.



**Figure 1: Technical Drawing and Dimensions**

This diagram illustrates the critical dimensions and connection points for the Gessi Cono 45088 built-in basin mixer. Key measurements include a total length of 228 mm, a spout projection of 212 mm, and a height of 108 mm from the base to the top of the spout. The wall-mounted base has a diameter of 70 mm and requires an installation depth between 74 mm and 94 mm. The internal mixing unit has a square base of 122 mm by 122 mm, with hot (G1/2" HOT) and cold (G1/2" COLD) water inlets spaced 85 mm apart. The minimum wall thickness for installation is 18.5 mm. The handle extends 137 mm from the base. The product is identified as 'CONO 21cm + BASE 45088 + 45097'.

### Installation Steps:

- 1. Prepare the Wall:** Create an opening in the wall according to the dimensions provided in Figure 1. Ensure the opening allows for the required installation depth (74-94 mm) for the built-in part.
- 2. Mount the Built-in Body:** Securely fasten the built-in mixer body (Model 45088) within the wall opening using appropriate mounting hardware. Ensure it is level and flush with the finished wall surface.
- 3. Connect Water Supplies:** Connect the hot and cold water supply lines to the designated G1/2" inlets on the built-in body. The hot water inlet is typically on the left, and the cold water inlet on the right, as indicated in Figure 1. Use appropriate sealing materials (e.g., PTFE tape) to ensure watertight connections.
- 4. Install the Spout and Handle:** Once the wall is finished, attach the external spout and handle components (Model 45097) to the built-in body. Follow the manufacturer's specific instructions for securing these parts.
- 5. Test for Leaks:** Slowly turn on the main water supply and check all connections for leaks. Operate the mixer to ensure proper water flow and temperature control.

## 5. OPERATING INSTRUCTIONS

The Gessi Cono basin mixer features a single lever for controlling both water flow and temperature.

- **Water Flow:** Lift the lever upwards to increase water flow. Push it downwards to decrease or stop the flow.
- **Temperature Control:** Move the lever to the left for hot water and to the right for cold water. The central position typically provides mixed water.

## 6. MAINTENANCE

---

Regular cleaning and maintenance will help preserve the appearance and functionality of your Gessi Cono mixer.

- **Cleaning:** Clean the surface with a soft cloth and mild soap and water. Rinse thoroughly and dry with a soft cloth to prevent water spots.
- **Avoid Harsh Cleaners:** Do not use abrasive sponges, scouring pads, or cleaners containing alcohol, ammonia, bleach, or other harsh chemicals, as these can damage the chrome finish.
- **Aerator Maintenance:** Periodically unscrew and clean the aerator at the end of the spout to remove any mineral deposits or debris that may affect water flow.

## 7. TROUBLESHOOTING

---

If you encounter issues with your Gessi Cono mixer, refer to the following common troubleshooting steps:

Problem	Possible Cause	Solution
Low Water Flow	Clogged aerator; partially closed stopcock; low water pressure.	Clean or replace aerator; ensure stopcocks are fully open; check household water pressure.
Leaking from Spout	Worn cartridge; debris in cartridge.	Contact a qualified plumber to inspect or replace the cartridge.
Water Temperature Issues	Incorrect hot/cold connections; issue with water heater.	Verify hot and cold connections; check water heater settings.

If the problem persists after attempting these solutions, contact a qualified plumber or Gessi customer support.

## 8. SPECIFICATIONS

---

- **Brand:** Gessi
- **Model Number:** 45088 (Built-in Part), 620 (General Model Number)
- **Color:** Chrome
- **Product Dimensions (L x W x H):** 35 x 19 x 10 cm (overall packaging/product dimensions)
- **Item Weight:** 1.9 Kilograms
- **Connection Type:** G1/2" (Hot and Cold)
- **Installation Type:** Built-in, Wall-mounted

## 9. WARRANTY AND SUPPORT

---

For warranty information, technical support, or spare parts availability, please refer to the official Gessi website or contact your authorized Gessi dealer. Keep your proof of purchase for warranty claims.