



Manuals.plus /

- › FRANKYSTAR /
- › FRANKYSTAR Emma Shoe Cabinet with 2 Shelves - Instruction Manual

## FRANKYSTAR Emma Shoe Cabinet with 2 Shelves

# FRANKYSTAR Emma Shoe Cabinet with 2 Shelves

Instruction Manual

Model: Emma Shoe Cabinet with 2 Shelves | Brand: FRANKYSTAR

### 1. INTRODUCTION

Thank you for choosing the FRANKYSTAR Emma Shoe Cabinet. This compact and modern shoe cabinet is designed to help you organize your footwear efficiently while adding a touch of elegance to your home. Featuring two practical doors and sturdy pine wood legs, it is ideal for entryways, bedrooms, or hallways. This manual provides essential information for safe assembly, proper use, and maintenance to ensure the longevity of your product.

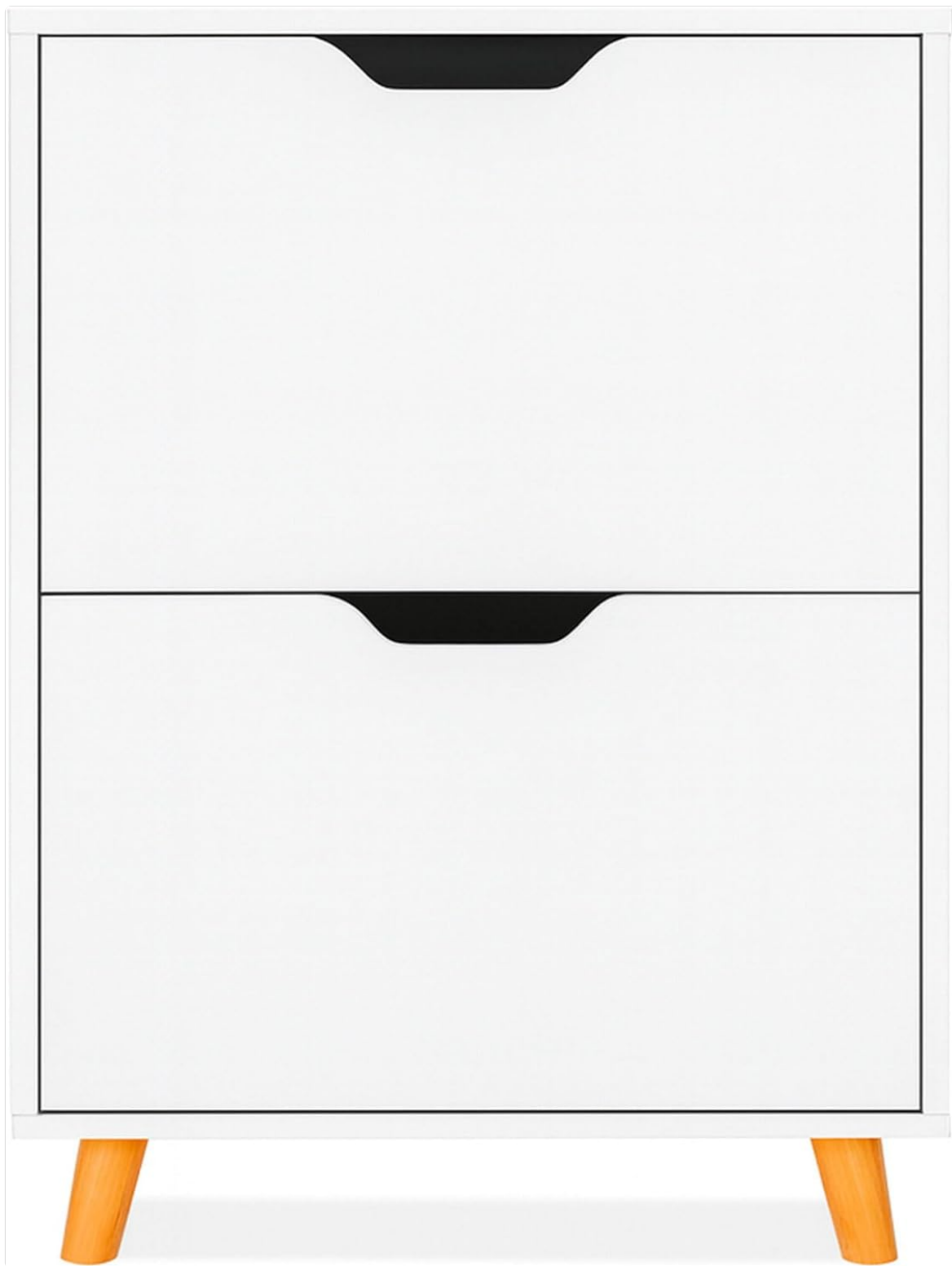


Image 1: The FRANKYSTAR Emma Shoe Cabinet (2 shelves) in a home setting.

## 2. SAFETY INFORMATION

Please read all safety instructions carefully before assembly and use. Failure to follow these instructions may result in injury or damage to the product.

- Always assemble the cabinet on a flat and stable surface to prevent tipping.
- Do not exceed the maximum weight capacity of **12 kilograms (26.5 lbs)**. Distribute weight evenly across the shelves.

- Pay attention to pinch points and sharp edges during assembly and use. Keep hands clear of moving parts.
- Always use appropriate safety equipment, such as gloves, when handling components or lifting heavy objects.
- For enhanced stability and safety, especially in households with children or pets, it is recommended to anchor the shoe cabinet to a wall using appropriate hardware (not included).
- Keep small parts and hardware out of reach of children to prevent choking hazards.

### 3. PACKAGE CONTENTS

Before beginning assembly, verify that all components are present and undamaged. If any parts are missing or damaged, please contact customer support.

- Top Panel
- Bottom Panel
- Side Panels (x2)
- Back Panels (x2)
- Drawer Fronts (x2)
- Internal Shoe Racks/Mechanisms (x2 sets)
- Pine Wood Legs (x4)
- Assembly Hardware (screws, dowels, cam locks, etc.)

### 4. ASSEMBLY INSTRUCTIONS

Assembly typically requires a Phillips head screwdriver and a hammer. Follow these steps carefully. It is recommended to have two people for assembly.

1. **Prepare the Workspace:** Clear a spacious, flat, and clean area. Lay out all components and hardware.
2. **Attach Legs:** Secure the four pine wood legs to the bottom panel. Ensure they are aligned correctly. If pre-drilled holes are not present, carefully mark and drill pilot holes before screwing the legs in to prevent splitting the wood.
3. **Assemble the Frame:** Connect the side panels to the bottom panel using the provided hardware (dowels, screws, cam locks). Ensure all connections are tight and secure.
4. **Install Internal Mechanisms:** Attach the internal shoe rack mechanisms to the side panels according to the diagrams. Pay close attention to the orientation of these parts.
5. **Attach Drawer Fronts:** Connect the drawer fronts to the internal shoe rack mechanisms. Ensure they open and close smoothly.
6. **Install Top Panel:** Secure the top panel to the assembled frame.
7. **Attach Back Panels:** Carefully align and attach the back panels to the rear of the cabinet using

small nails or screws. Ensure the cabinet is square before securing the back panels. If pre-drilled holes are missing, carefully align and secure.

8. **Final Check:** Verify all screws and connections are tight. Ensure the cabinet is stable. If desired, attach to a wall using appropriate wall anchors and screws (not included).



Image 2: View of the internal shoe rack mechanism when a drawer is open.



Image 3: Detailed view of the drawer stopper and mechanism.

## 5. OPERATING INSTRUCTIONS

The FRANKYSTAR Emma Shoe Cabinet is designed for easy access and organization of your shoes.

- **Opening Drawers:** Gently pull the integrated handle on each drawer front to open. The drawers tilt forward to reveal the shoe storage compartments.
- **Storing Shoes:** Place shoes into the designated slots within each compartment. The cabinet can typically hold up to 12 pairs of shoes (6 pairs per drawer), depending on shoe size and style.
- **Shoe Size Compatibility:** Please note that larger shoe sizes (e.g., men's US size 9 / EU size 42 and above) may reduce the total capacity or require shoes to be stored at an angle. For optimal fit, shoes up to EU size 40-41 are best accommodated.
- **Closing Drawers:** Push the drawer front back until it clicks securely into place.

## 6. CARE AND MAINTENANCE

Proper care will help maintain the appearance and functionality of your shoe cabinet.

- **Cleaning:** Wipe surfaces with a soft, damp cloth. Avoid abrasive cleaners or harsh chemicals that may damage the finish. Dry immediately with a clean cloth.
- **Spills:** Clean up spills immediately to prevent staining or damage to the wood material.
- **Sunlight Exposure:** Avoid prolonged direct sunlight exposure, which can cause fading or discoloration.
- **Humidity:** Maintain a stable humidity level in the room to prevent warping or cracking of the wood.
- **Hardware Check:** Periodically check all screws and connections to ensure they remain tight. Retighten if necessary.

## 7. TROUBLESHOOTING

Problem	Possible Cause	Solution
Cabinet is wobbly/unstable	Loose connections; uneven floor; not wall-anchored.	Ensure all screws are tightened. Place on a level surface. Consider wall anchoring for added stability.
Drawers do not open/close smoothly	Incorrect assembly of internal mechanism; obstruction.	Review assembly steps for internal mechanisms. Check for any objects blocking the drawer's movement.
Shoes do not fit or capacity is less than expected	Shoe size is too large for the compartment design.	The cabinet is optimized for shoes up to EU size 40-41. Larger shoes may need to be placed diagonally or may reduce overall capacity.
Missing hardware or damaged parts	Manufacturing defect or shipping damage.	Do not proceed with assembly. Contact FRANKYSTAR customer support immediately for replacement parts.

## 8. SPECIFICATIONS

- **Brand:** FRANKYSTAR
- **Model:** Emma Shoe Cabinet with 2 Shelves
- **Color:** White
- **Material:** Wood (Cabinet), Pine Wood (Legs)
- **Product Dimensions (L x W x H):** 25 cm x 55 cm x 82 cm (approximately 9.8 x 21.7 x 32.3 inches)

- **Leg Height:** 10 cm (approximately 3.9 inches)
- **Weight:** 17.5 Kilograms (approximately 38.6 lbs)
- **Maximum Load Capacity:** 12 Kilograms (26.5 lbs)
- **Shoe Capacity:** Up to 12 pairs (depending on shoe size)

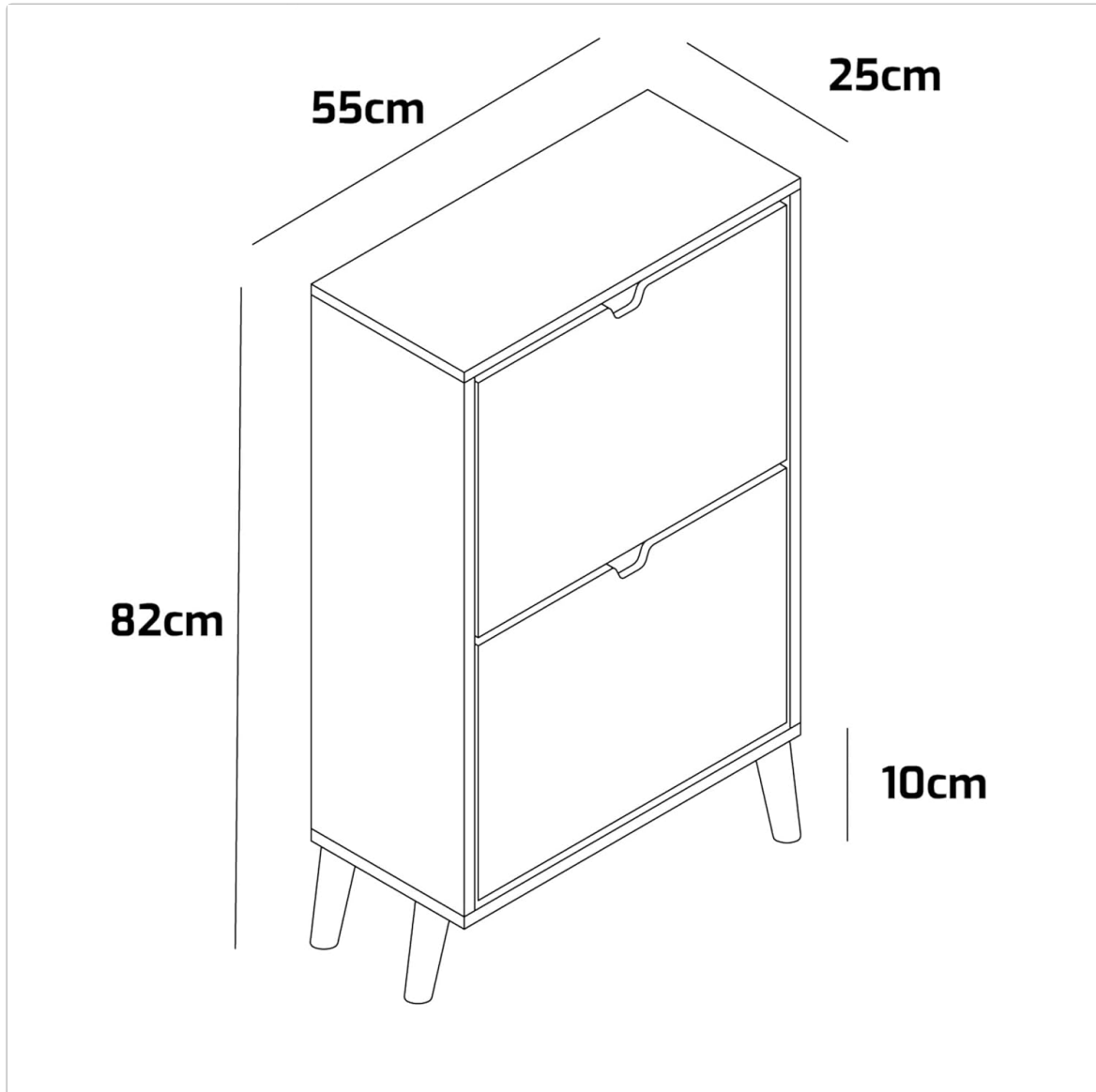


Image 4: Dimensional diagram of the shoe cabinet.

## 9. WARRANTY INFORMATION

FRANKYSTAR products are manufactured with quality and care. This product comes with a standard manufacturer's warranty against defects in materials and workmanship. Please retain your proof of purchase for any warranty claims. For specific warranty terms and conditions, refer to the documentation included with your purchase or contact FRANKYSTAR customer support.

## 10. CUSTOMER SUPPORT

If you have any questions, require assistance with assembly, or need to report missing/damaged parts, please contact FRANKYSTAR customer support. Our team is dedicated to providing you with the best possible service.

- **Online Support:** Visit the official FRANKYSTAR website for FAQs and contact options.
- **Email:** Refer to your purchase documentation for direct email support.
- **Phone:** Refer to your purchase documentation for customer service phone numbers.