

[Manuals.plus](#) /

> [VASAGLE](#) /

> VASAGLE 39.4 Inch Console Table with 3 Shelves, Metallic Gold and Transparent ULGT27G User Manual

VASAGLE ULGT27G

VASAGLE 39.4 Inch Console Table with 3 Shelves

Model: ULGT27G | Brand: VASAGLE

1. PRODUCT OVERVIEW

The VASAGLE ULGT27G console table is designed for displaying various items in your living space. It features three tempered glass shelves supported by a metallic gold metal frame, offering a clear and open aesthetic. Its slim design allows for versatile placement in various rooms.



Image 1.1: The VASAGLE ULGT27G console table with decorative items on its shelves.

2. SAFETY INFORMATION

- For safety reasons, children are not permitted to climb or play on this console table.
- Always attach the console table to the wall using the included anti-tip kit to prevent accidental tipping.
- Ensure the table is placed on a stable, level surface.
- Do not exceed the maximum static load capacity of 66 lb (30 kg) for the entire table. Each shelf has a recommended load capacity of 22 lb (10 kg).

3. PACKAGE CONTENTS

Before assembly, verify that all components listed below are present and undamaged:

- 1 x Console Table Frame (Metallic Gold Steel)
- 3 x Tempered Glass Shelves (5 mm thick)
- 1 x Anti-Tip Kit
- 1 x Accessory Kit (includes screws, Allen wrench, buffer pads, adjustable feet)

- 1 x Instructions Manual

4. SETUP AND ASSEMBLY INSTRUCTIONS

Assembly of this console table is designed to be straightforward. Follow the illustrated instructions provided in the package. All parts are numbered for easy identification.

1. **Unpack Components:** Carefully remove all parts from the packaging. Lay them out on a clean, soft surface to prevent scratches.
2. **Assemble Frame:** Connect the metal frame components using the screws and Allen wrench from the accessory kit. Ensure all screws are loosely fitted initially to allow for adjustments.
3. **Install Adjustable Feet:** Screw the adjustable feet into the bottom of the frame legs. These can be adjusted later to level the table on uneven floors.
4. **Place Buffer Pads:** Apply the included buffer pads to the frame where the glass shelves will rest. This helps prevent noise and protects the glass.
5. **Insert Glass Shelves:** Carefully place the tempered glass shelves onto the designated sections of the frame.
6. **Tighten Screws:** Once all components are in place and aligned, gradually tighten all screws until secure. Avoid over-tightening.
7. **Attach Anti-Tip Kit:** Secure the console table to a wall using the anti-tip kit as per the detailed instructions provided in the package. This is a critical safety step.



Adjustable Feet
For leveling out uneven floor surfaces.

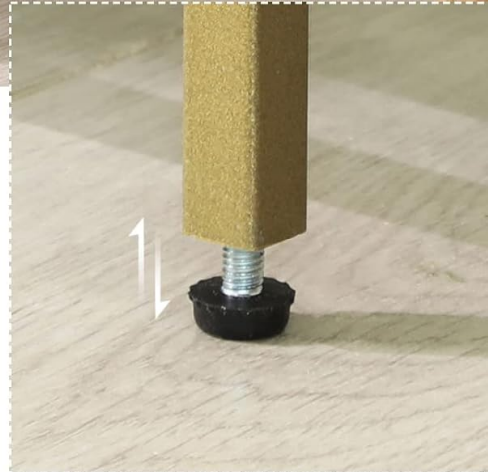


Image 4.1: Detail of the adjustable feet for stability on uneven surfaces.

5. OPERATING AND USAGE

The VASAGLE ULGT27G console table is designed for indoor use to display decorative items, books, plants, and other lightweight objects. Its three-tier structure provides ample space for organization and aesthetic arrangement.

- Distribute weight evenly across the shelves to maintain stability.
- Avoid placing excessively heavy items on any single shelf or the table as a whole. Refer to the maximum load capacity in the specifications.
- Do not use the table as a step stool or for climbing.

6. MAINTENANCE AND CARE

To ensure the longevity and appearance of your console table, follow these care instructions:

- **Cleaning:** Wipe the glass shelves and metal frame with a damp cloth. Dry thoroughly immediately after cleaning to prevent water spots or corrosion.
- **Avoid Harsh Chemicals:** Do not use abrasive cleaners, strong detergents, or chemical solvents, as these can damage the finish of the metal frame or the glass.

- **Spills:** Clean up spills promptly to prevent staining or damage.
- **Protection:** Use coasters or protective pads under items that might scratch the glass surface.



Image 6.1: Cleaning the tempered glass surface with a damp cloth.

7. TROUBLESHOOTING

- **Table is Wobbly:**
 - Ensure all screws are securely tightened. Do not overtighten.
 - Adjust the leveling feet at the bottom of the legs to compensate for uneven floor surfaces.
- **Parts Do Not Align During Assembly:**
 - Loosen all screws slightly to allow for more flexibility in the frame.
 - Re-align the parts carefully, ensuring they are oriented correctly according to the instructions.
 - Once aligned, gradually tighten all screws.
- **Scratched Glass:**
 - Tempered glass is durable but not scratch-proof. Avoid dragging rough or sharp objects across the surface.
 - For minor scratches, specialized glass repair kits may be available, but results can vary.

8. SPECIFICATIONS

Attribute	Detail
Brand	VASAGLE
Model Number	ULGT27G
Product Dimensions (D x W x H)	11.8"D x 39.4"W x 28.7"H (30 x 100 x 73 cm)
Item Weight	30.2 lb (13.7 kg)
Maximum Weight Recommendation	66 lb (30 kg) total
Shelf Load Capacity	22 lb (10 kg) per shelf
Material	Tempered Glass, Steel
Glass Thickness	5 mm
Color	Metallic Gold + Transparent

Number of Shelves	3
Indoor/Outdoor Usage	Indoor

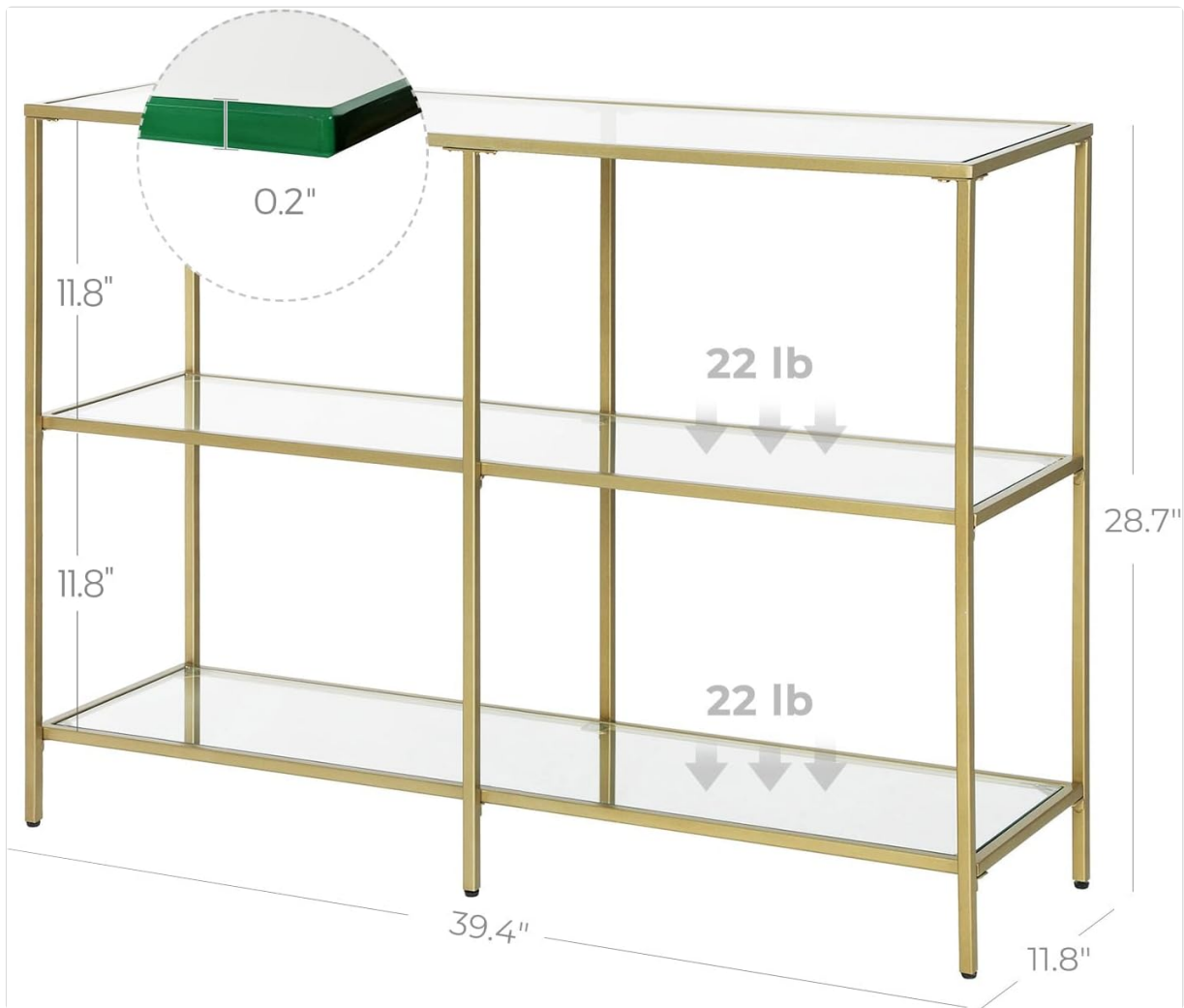


Image 8.1: Product dimensions and shelf load capacity.



Image 8.2: Detail of the 5mm tempered glass thickness.

9. WARRANTY AND SUPPORT

This VASAGLE product comes with a limited warranty. For specific warranty details, claims, or technical support, please refer to the warranty information included in your package or contact VASAGLE customer

service through their official channels. Keep your purchase receipt for warranty validation.

© 2024 VASAGLE. All rights reserved.