

[Manuals.plus](#) /

> [foxydry](#) /

> foxydry Wall Mounted Clothes Drying Rack (108 cm, White) - Instruction Manual

## foxydry Foxydry Wall

# foxydry Wall Mounted Clothes Drying Rack (108 cm, White)

Model: Foxydry Wall | Brand: foxydry

## INTRODUCTION

---

The foxydry Wall Mounted Clothes Drying Rack is designed to provide an efficient and space-saving solution for drying laundry. This manual provides detailed instructions for the safe installation, operation, and maintenance of your drying rack.

- **Adjustable height:** The rack can be lowered up to 130 cm (51 inches) or stopped at any intermediate position.
- **Drying capacity:** Features eight 1-meter drying rails, offering a total of 8 meters (26 feet) of drying space.
- **Weight capacity:** Supports up to 10 kg (22 lbs) of laundry.
- **Effortless operation:** A special clutch mechanism reduces the perceived weight of laundry, making lifting easy.
- **Durable construction:** Made from aluminum and steel, suitable for both indoor and outdoor use.
- **Dimensions (installed):** Width 108 cm (42.51 in), Depth 52 cm (20.47 in), Height 137 cm (54 in) when fully extended.

## SAFETY INFORMATION

---

Please read all safety instructions before installation and use. Failure to follow these instructions may result in injury or damage to the product or property.

- **Weight Limit:** Do not exceed the maximum weight capacity of 10 kg (22 lbs). Overloading can cause damage to the rack or its mounting.
- **Secure Mounting:** Ensure the drying rack is securely mounted to a sturdy wall structure capable of supporting the rack's weight plus the maximum laundry load. Consult a professional if unsure about wall suitability.
- **Children and Pets:** Keep children and pets away from the drying rack during operation to prevent entanglement or injury.
- **Moving Parts:** Be aware of moving parts (pulleys, ropes, rails) during adjustment. Keep hands clear to avoid pinching.
- **Regular Inspection:** Periodically inspect all components, especially ropes and mounting hardware, for signs of wear or damage. Replace worn parts immediately.

## PACKAGE CONTENTS

---

Verify that all components are present before beginning installation. The foxydry Wall is semi-assembled.

- Main drying rack assembly (partially assembled)
- Mounting hardware (screws, anchors)
- Tool for attaching drying rails (e.g., Allen key, wrench)
- Ropes and pulley fasteners

## SETUP AND INSTALLATION

---

Installation requires basic DIY knowledge and tools. It is recommended to have two people for certain steps. Refer to the provided diagrams for visual guidance.

### Tools Required (Not Included):

- Drill
- Measuring tape
- Level
- Pencil
- Screwdriver
- Wrench (if not included)
- Allen key (if not included)

### Installation Steps:

1. **Prepare the Horizontal Bar:** Identify the horizontal holding bar (often marked with an "UP" arrow). *Do not install this bar on the wall immediately.*
2. **Attach Vertical Bars:** First, attach the vertical support bars to the horizontal bar using the provided wrench and Allen key. Ensure the vertical bars are oriented correctly: the larger hole should face you, and the smaller holes should face the wall. This allows for proper tightening and wall mounting.
3. **Orient Wheels:** Both the horizontal and vertical bars contain wheels for the pulley system. Physically turn these wheels slightly so they sit vertically, ensuring smooth rope movement.
4. **Mark Wall Position:** Once the horizontal and vertical bars are assembled, hold the complete assembly against the desired wall location. Use a level to ensure it is straight and mark the drilling points for the mounting hardware.
5. **Mount the Assembly:** Drill pilot holes at the marked positions and securely mount the assembled unit to the wall using the appropriate screws and anchors. It is recommended to have a second person assist in holding the unit during this step.
6. **Install Drying Rack Frame:** Attach the main drying rack frame to the vertical supports. Ensure the arch of the rack is positioned to come down correctly when lowered.
7. **Rope Installation - Longer String:**
  - Thread the longer string from the top-left pulley, across to the top-right pulley, down to the bottom-right pulley, and then back up to the top-right pulley.
  - To secure, push the string through the middle of the wheel (into the small hole) and feed the end through one of the wheel fasteners (nut with a bolt inside). Tighten it with a wrench. Pull the string as tight as possible before securing it close to the middle of the wheel.
8. **Rope Installation - Shorter String:**
  - Thread the shorter string from the top-left pulley, down to the bottom-left pulley, and then back up to the top-left pulley.

- Secure this string through the middle of the wheel on the left side using a wheel fastener, similar to the longer string.

9. **Final Checks:** Ensure all screws are tight and the rack moves smoothly up and down.

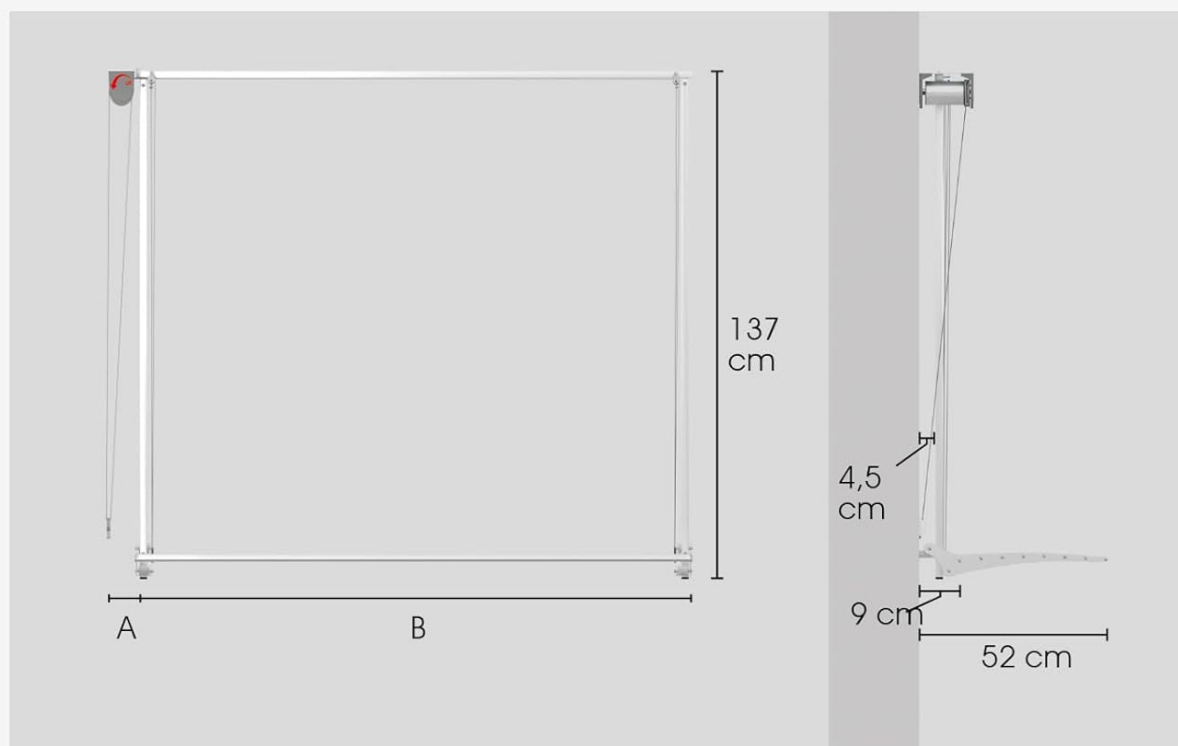


Figure 1: Close-up of the pulley mechanism, showing the 'UP' indicator and rope path.



Figure 2: Detail of the lower rope attachment and securing point.

# MAXIMUM SPACE OCCUPIED



## A + B

<b>WALL PLUS 150</b> ▶	152 cm	(8+144)cm	x	137 cm	x	52 cm
<b>WALL PLUS 120</b> ▶	128 cm	(8+120)cm	x	137 cm	x	52 cm
<b>WALL PLUS 100</b> ▶	108 cm	(8+100)cm	x	137 cm	x	52 cm
<b>WALL PLUS 80</b> ▶	88 cm	(8+80)cm	x	137 cm	x	52 cm

Figure 3: Dimensional diagram for the foxydry Wall series, illustrating space requirements.

## OPERATING INSTRUCTIONS

The foxydry Wall drying rack operates using a simple pulley system for easy height adjustment.

- Lowering the Rack:** Gently pull the rope to release the clutch mechanism. Guide the rack downwards to your desired height. The clutch allows you to stop the rack at any intermediate position.
- Loading Laundry:** Hang laundry evenly across the eight drying rails. Distribute weight to prevent bending of the rails.
- Raising the Rack:** Gently pull the rope upwards. The special clutch mechanism will assist in lifting the rack, making it feel lighter. Raise the rack to its highest position or any desired intermediate height to keep it out of the way.



Figure 4: The drying rack in a lowered position, ready for use.



Figure 5: The drying rack in a raised position, maximizing floor space.

## MAINTENANCE

---

Regular maintenance ensures the longevity and smooth operation of your foxydry Wall drying rack.

- **Cleaning:** Wipe down the aluminum and steel components with a damp cloth and mild detergent as needed. Avoid abrasive cleaners.
- **Rope Inspection:** Periodically check the ropes for fraying, wear, or damage. If ropes show signs of significant wear, contact customer support for replacement.
- **Pulley Lubrication:** If the pulleys become stiff or noisy, apply a small amount of silicone-based lubricant to the moving parts.
- **Hardware Check:** Annually, check all mounting screws and fasteners to ensure they are tight and secure. Retighten if necessary.

## TROUBLESHOOTING

---

Problem	Possible Cause	Solution
Rack is difficult to raise or lower.	Ropes are tangled or worn; pulleys are stiff; clutch mechanism is obstructed.	Check ropes for tangles and ensure they are correctly threaded through pulleys. Lubricate pulleys if stiff. Ensure no foreign objects are obstructing the clutch.
Drying rails appear bent or sag.	Overloading the rack; uneven weight distribution.	Ensure the total weight of laundry does not exceed 10 kg. Distribute laundry evenly across all rails. Avoid hanging heavy items on a single rail.
Rack feels unstable or loose on the wall.	Mounting hardware is loose; improper installation into wall studs.	Check and tighten all mounting screws. If the issue persists, re-evaluate the mounting location and consider reinforcing the wall or consulting a professional.

## SPECIFICATIONS

Feature	Detail
Model	Foxydry Wall
Brand	foxydry
Material	Aluminum, Stainless Steel
Color	White (Limited Edition)
Product Dimensions (W x D x H)	108 cm x 52 cm x 137 cm (42.51 in x 20.47 in x 54 in)
Item Weight	5 kg (11 lbs)
Weight Limit	10 kg (22 lbs)
Drying Rails	8 rails, 1 meter each (Total 8 meters / 26 feet)
Mounting Type	Wall Mount
Special Features	Collapsible, Foldable, Pulley System for height adjustment

## WARRANTY AND SUPPORT

The foxydry Wall Mounted Clothes Drying Rack comes with a **2-year warranty** from the date of purchase, covering manufacturing defects.

For technical assistance, warranty claims, or to purchase replacement parts, please visit the official foxydry website or contact their customer support directly. Keep your proof of purchase for warranty validation.

Official foxydry Store: [foxydry Amazon Store](#)

