

[Manuals.plus](#) /

> [MAIDeSITE](#) /

> MAIDeSITE T2 Pro Electric Standing Desk Frame User Manual

## MAIDeSITE HBITT

# MAIDeSITE T2 Pro Electric Standing Desk Frame User Manual

Model: HBITT

## 1. INTRODUCTION

Thank you for choosing the MAIDeSITE T2 Pro Electric Standing Desk Frame. This dual-motor height-adjustable desk frame is designed to provide a flexible and ergonomic workspace, allowing you to easily switch between sitting and standing positions throughout your day. This manual provides essential information for assembly, operation, and maintenance to ensure safe and efficient use of your new desk frame.

## 2. SAFETY INFORMATION

Please read and understand all safety instructions before assembling or operating the desk frame. Failure to follow these instructions may result in injury or damage to the product.

- Ensure all components are present and undamaged before assembly.
- Keep children and pets away from the desk during operation to prevent accidents.
- Do not place hands or other body parts near moving parts during height adjustment.
- Ensure there are no obstructions (e.g., chairs, cabinets, cables) in the desk's path during movement. The desk features collision protection, but it is best to avoid obstacles.
- Do not overload the desk. Refer to the specifications for maximum weight capacity.
- Only use the provided power adapter and components.
- Do not disassemble or modify the desk frame. Contact customer support for repairs.
- Keep liquids away from electrical components.

## 3. PACKAGE CONTENTS

Carefully unpack all items and verify that you have received the following components:

- Desk Legs (2)
- Crossbar/Frame Support (1 set)

- Control Panel with LED Display (1)
- Power Adapter and Cable (1)
- Connection Cables (for motors and control panel)
- Assembly Hardware (screws, bolts, washers)
- Assembly Tools (L-wrench, screwdriver)
- Cable Management Accessories (e.g., cable ties, adhesive clips)
- User Manual (this document)



Image: Overview of the MAIDeSITE T2 Pro Electric Standing Desk Frame components, including the legs, crossbar, and control panel.

## 4. SETUP AND ASSEMBLY

Assembly typically requires two people. Please follow the detailed instructions provided in the separate assembly guide included with your package. The general steps are outlined below:

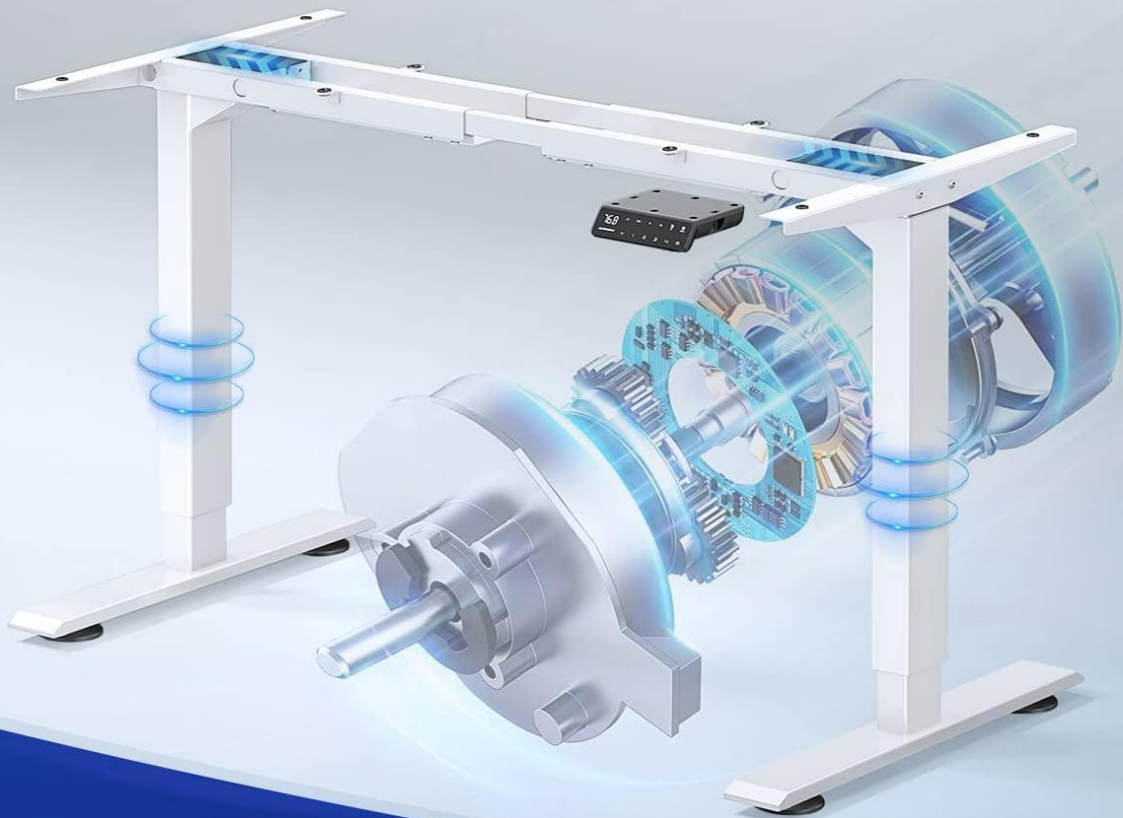
1. **Prepare Workspace:** Clear a spacious area for assembly. Lay down a soft cloth or cardboard to protect components from scratches.
2. **Assemble Legs and Crossbar:** Attach the desk legs to the adjustable crossbar frame using the provided

hardware. Ensure all connections are secure.

3. **Attach Feet:** Secure the foot supports to the bottom of each leg.
4. **Mount Control Panel:** Attach the control panel to the underside of your chosen desktop (not included) in an easily accessible location.
5. **Connect Motors and Control Panel:** Connect the motor cables from each leg to the control box, and then connect the control panel cable to the control box.
6. **Attach Desktop:** Carefully place your desktop onto the assembled frame. Secure the desktop to the frame using appropriate screws (ensure screws are not too long to penetrate the desktop surface).
7. **Connect Power:** Plug the power adapter into the control box and then into a wall outlet.
8. **Cable Management:** Use the included cable management accessories to organize and secure all cables, preventing tangles and ensuring safe operation.

## Dual Motor Lift System

Stable & Durable



Maximum load  
**160 KG**



Lifting speed  
**32 mm / sec**



Lower noise  
**< 45 dB**



Carbon steel  
**100%**

Image: Components of the MAIDeSiTe T2 Pro desk frame, illustrating the parts involved in assembly.



## Height Adjustable

**72 – 120cm** meet your or your family's standing or sitting needs



Image: The MAIDeSITe T2 Pro desk frame showing its adjustable width range (100-180cm) suitable for various desktop sizes.

## 5. OPERATING INSTRUCTIONS

The MAIDeSITe T2 Pro desk frame features an intuitive control panel for easy height adjustment and memory functions.



Image: Close-up of the MAIDeSITE T2 Pro control panel, highlighting the LCD display, memory buttons, USB charging port, and child lock feature.

## 5.1. Basic Height Adjustment

- Press the **UP** (▲) button to raise the desk.
- Press the **DOWN** (▼) button to lower the desk.
- Release the button at your desired height. The current height will be displayed on the LCD screen.

## 5.2. Memory Presets

The control panel allows you to save up to four preferred heights for quick adjustment.

1. Adjust the desk to your desired height using the UP/DOWN buttons.
2. Press the "SET" button. The display will show "S-".

3. Within 3 seconds, press one of the memory buttons ("1", "2", "3", or "4"). The display will show "S-1", "S-2", etc., confirming the height is saved.
4. To move the desk to a saved height, simply press the corresponding memory button ("1", "2", "3", or "4"). The desk will automatically move to that position.

### 5.3. Child Lock Function

To prevent accidental adjustments, the control panel features a child lock.

- To activate the child lock, press and hold the "M" button (or the lock icon if present) for 3 seconds until "LOC" appears on the display. All buttons will be disabled.
- To deactivate the child lock, press and hold the "M" button (or the lock icon) again for 3 seconds until "LOC" disappears. The buttons will become active.

### 5.4. Timer/Reminder Function

The desk can remind you to change positions at set intervals.

- Press the "0.5h", "1h", or "2h" button to set a reminder for 30 minutes, 1 hour, or 2 hours, respectively.
- The timer will start, and the desk will beep to remind you when the time is up.
- To cancel the timer, press the active timer button again or any other button.

### 5.5. USB Charging Port

The control panel includes a USB port for convenient charging of your devices.

- Simply plug your USB charging cable into the port on the control panel to charge compatible devices.

## 6. MAINTENANCE

---

Regular maintenance helps ensure the longevity and proper functioning of your desk frame.

- **Cleaning:** Wipe the desk frame and control panel with a soft, damp cloth. Avoid using harsh chemicals or abrasive cleaners.
- **Cable Management:** Periodically check that all cables are securely managed and not pinched or tangled.
- **Screw Tightness:** Occasionally check and tighten any loose screws or bolts on the frame to maintain stability.
- **Avoid Spills:** Prevent liquids from spilling onto the control panel or motor components.

## 7. TROUBLESHOOTING

---

If you encounter any issues with your MAIDeSITE T2 Pro desk frame, refer to the following common troubleshooting steps:

Problem	Possible Cause	Solution
Desk does not move.	Power cable disconnected, child lock active, motor error.	Check if the power cable is securely plugged into the wall outlet and the control box. Deactivate the child lock (refer to section 5.3). Unplug the desk for 10 seconds, then plug it back in to reset.

Problem	Possible Cause	Solution
Desk moves unevenly or makes unusual noise.	Overload, loose connections, obstruction.	Reduce the weight on the desk. Check all assembly connections for tightness. Ensure there are no obstructions interfering with the legs.
Display shows an error code (e.g., "E01", "RST").	Overheat protection, motor fault, need for reset.	If "RST" or similar, perform a reset: Press and hold the DOWN button until the desk reaches its lowest point and then slightly rises, indicating a successful reset. If the desk has been used continuously for a long period, allow it to cool down for 20 minutes. If the problem persists, contact customer support.

If these steps do not resolve the issue, please contact MAIDeSITE customer support for further assistance.

## 8. SPECIFICATIONS

Feature	Detail
Model Number	HBITT
Height Adjustment Range	72 cm - 120 cm (28.3" - 47.2")
Frame Width Adjustment Range	100 cm - 180 cm (39.4" - 70.9")
Motor Type	Dual Motor
Lifting Speed	32 mm/s
Maximum Load Capacity	160 kg (352 lbs)
Noise Level	< 45 dB
Material	Powder-coated Alloy Steel / Carbon Steel
Color	White
Special Features	4 Memory Presets, Child Safety Lock, Timer Function, Built-in USB Port, Collision Protection



# Extra Large Retractable Range

Fits to The Various Table Top on The Market

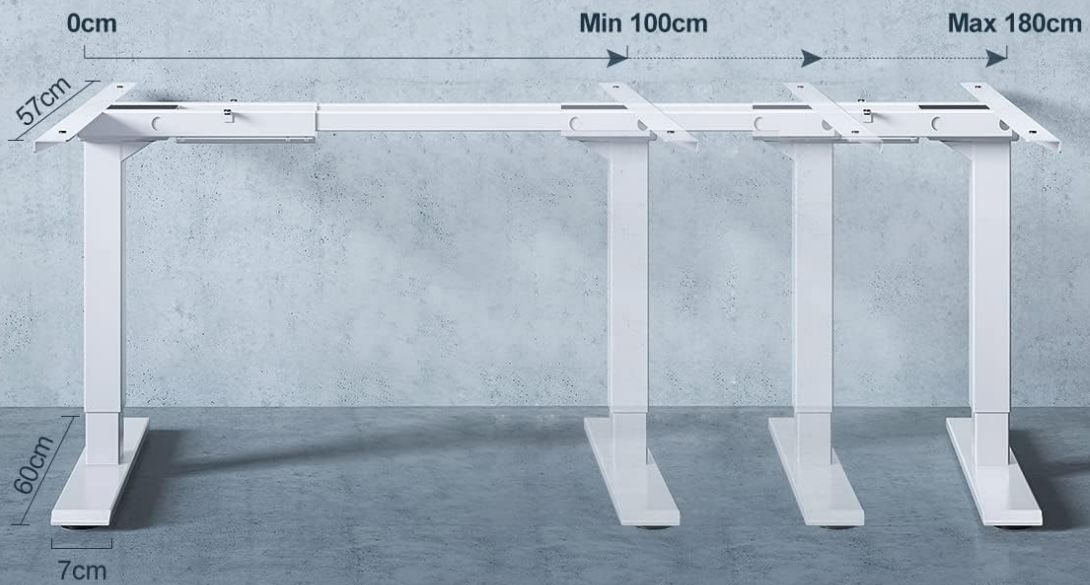


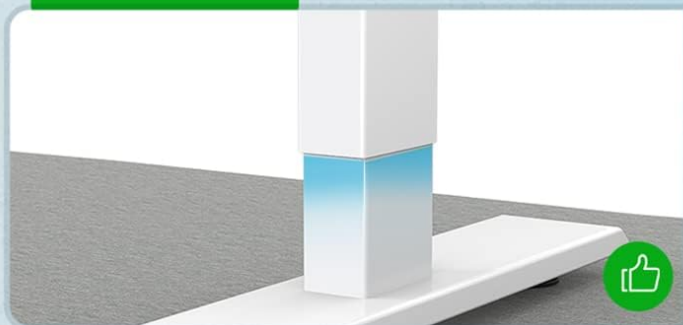
Image: Illustration of the MAIDeSITe T2 Pro desk frame's height adjustment range from 72cm (min) to 120cm (max).

# Top Quality Design

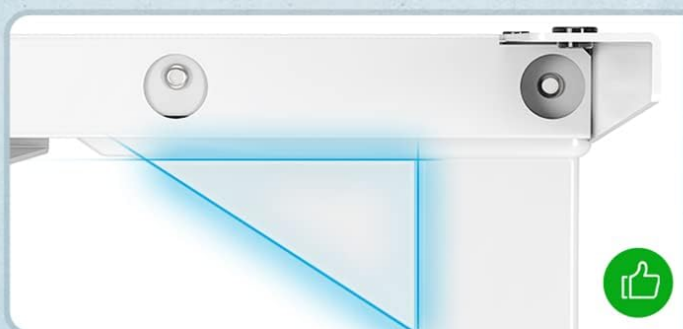
MAIDESITE

Non-Porous Craft

Others



Triangle Stable Structure



Multi-function Control Panel



Image: Diagram illustrating the dual motor lift system and key performance specifications such as 160kg maximum load, 32mm/sec lifting speed, and less than 45dB noise.

## 9. WARRANTY AND SUPPORT

MAIDeSITE stands behind the quality of its products.

- **Warranty:** The MAIDeSITE T2 Pro Electric Standing Desk Frame comes with a **5-year warranty on the table chassis** and a **3-year warranty on the motor**. This warranty covers manufacturing defects and material faults under normal use.
- **Customer Support:** For technical assistance, troubleshooting, or warranty claims, please contact MAIDeSITE customer support. Refer to the contact information provided on the product packaging or the official MAIDeSITE website.



Image: The MAIDeSITe T2 Pro Electric Standing Desk in a modern office environment, highlighting its aesthetic and the 5-year warranty badge.