

JEBAO TSP

Jebao TSP 30,000 Liter Adjustable Pond Pump User Manual

Model: TSP

1. INTRODUCTION

This manual provides essential information for the safe and efficient operation of your Jebao TSP 30,000 Liter Adjustable Pond Pump. The TSP series models feature a powerful motor with innovative electronics, offering up to 65% energy savings. This pump is designed for use in pond filter and circulation systems, capable of handling dirt particles up to 6 mm in size. Its wear-resistant ceramic shaft ensures extended service life.

2. SAFETY INSTRUCTIONS

- Always disconnect the pump from the power supply before performing any maintenance, cleaning, or installation work.
- Ensure the power cable and plug are undamaged. Do not operate the pump if the cable or plug is compromised.
- The pump must be connected to a properly grounded electrical outlet.
- Do not lift or carry the pump by its power cable.
- Ensure the pump is installed in a stable position, either submerged or in a dry, protected area below water level.
- Keep children and pets away from the pond area during pump operation and maintenance.
- The pump is designed for water use only. Do not use it for other liquids.

3. PACKAGE CONTENTS

Please check that all items are present in the package:

- Jebao TSP Pond Pump
- Connection fittings (50 mm)

- Power cable (10 m)
- User Manual

4. SETUP AND INSTALLATION

The Jebao TSP pump is suitable for both submersible and dry installation. For dry installation, the pump is not self-priming and must be installed below the water level to ensure proper water flow to the pump inlet.

4.1. Submersible Installation

1. Place the pump horizontally on a stable, flat surface at the bottom of the pond.
2. Ensure the pump is fully submerged and free from obstructions.
3. Connect the outlet hose (50 mm) to the pump's discharge port. Secure with a hose clamp if necessary.

4.2. Dry Installation

1. Install the pump in a dry, well-ventilated area, protected from direct sunlight and frost.
2. The pump must be positioned below the water level of the pond to allow gravity-fed water supply.
3. Connect the inlet hose (50 mm) from the pond to the pump's inlet port. Ensure a watertight seal.
4. Connect the outlet hose (50 mm) to the pump's discharge port. Secure all connections.

4.3. Electrical Connection

After installation, connect the 10-meter power cable to a suitable, grounded electrical outlet. Ensure the outlet is protected by a Residual Current Device (RCD) for safety.

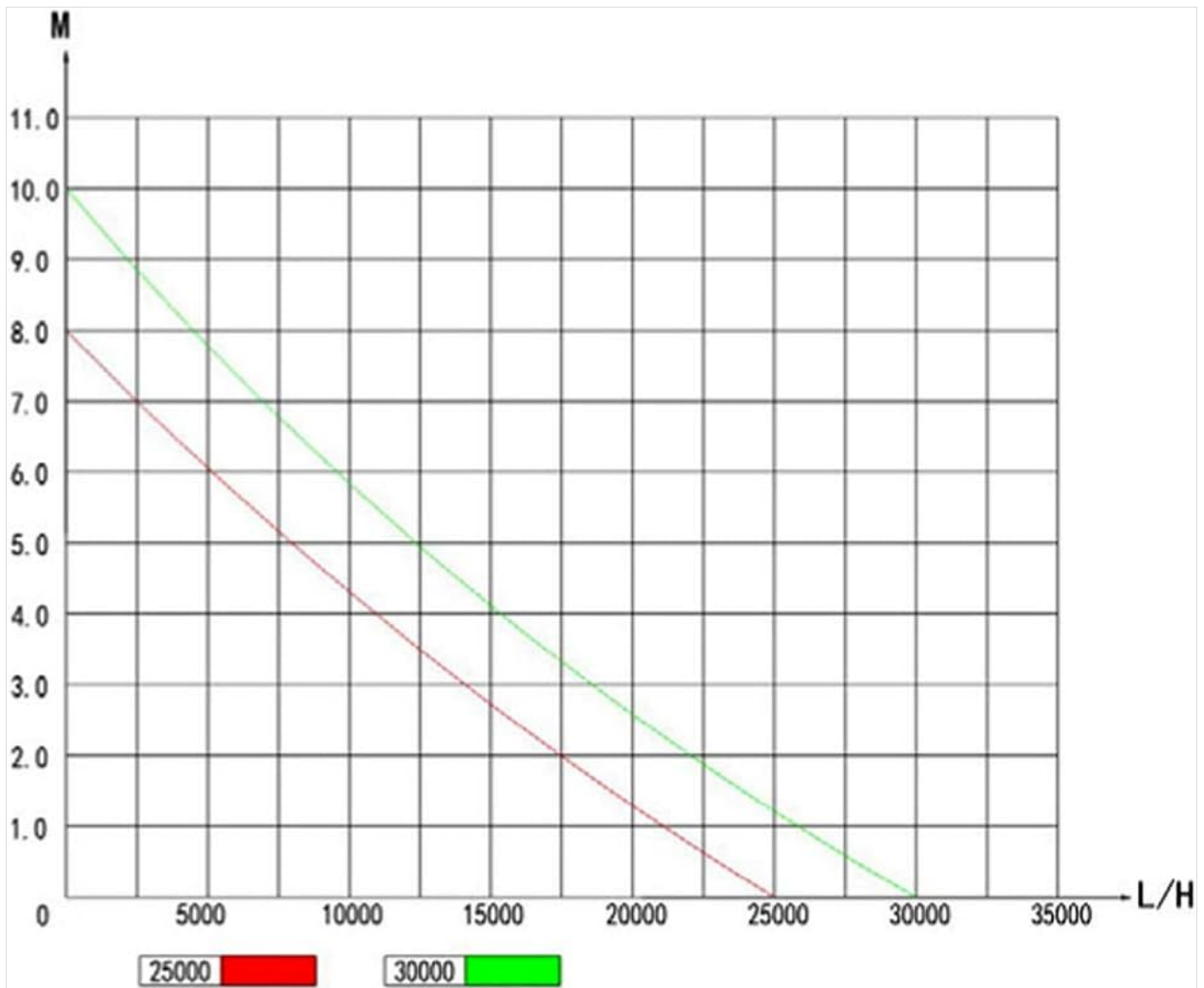


Figure 1: Main view of the Jebao TSP Pond Pump.

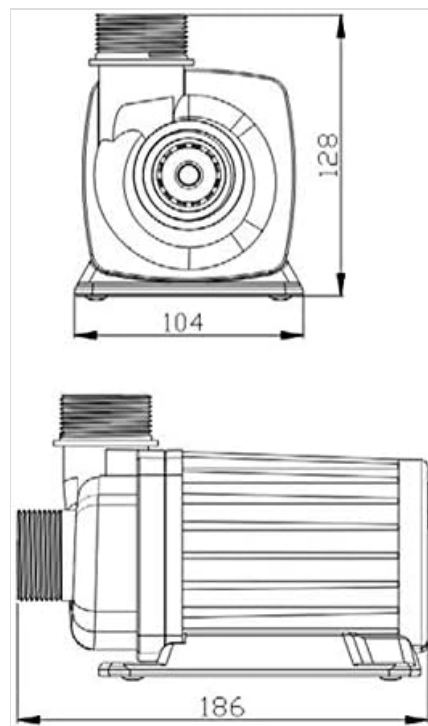


Figure 2: Technical diagram showing the dimensions of the Jebao TSP Pond Pump (188 x 104 x 128 mm).

5. OPERATING INSTRUCTIONS

Once the pump is correctly installed and connected to the power supply, it will begin operation. The TSP

series pumps feature adjustable power consumption from 52 to 290 watts, allowing you to optimize flow rate and energy usage. Refer to any external controller provided with your pump for specific adjustment instructions.

5.1. Motor Protection

The pump is equipped with an electronic recognition IC that provides automatic 'dry-run' motor protection. If the rotor is blocked or the pump runs without water, the motor will automatically shut off to prevent damage. Disconnect power, inspect for blockages or lack of water, and then reconnect power to reset.



Figure 3: Performance curve illustrating flow rate (L/H) versus head height (M) for the Jebao TSP pump at different settings (e.g., 25000 L/H and 30000 L/H).

6. MAINTENANCE

Regular maintenance ensures optimal performance and extends the lifespan of your pump.

6.1. Cleaning the Impeller

1. Disconnect the pump from the power supply.
2. Remove the pump from the pond or disconnect it from the dry installation system.
3. Carefully open the pump housing to access the impeller chamber.
4. Remove any debris, algae, or blockages from the impeller and its chamber. A soft brush can be used.
5. Inspect the ceramic shaft for wear or damage.
6. Reassemble the pump, ensuring all seals are correctly seated.

6.2. General Cleaning

Periodically clean the exterior of the pump to prevent buildup of algae or mineral deposits. Use fresh water and a soft cloth. Do not use harsh chemicals or abrasive materials.

7. TROUBLESHOOTING

Problem	Possible Cause	Solution
Pump does not start	No power supply Impeller blocked Dry-run protection activated	Check power connection and RCD Clean impeller (see Section 6.1) Ensure pump is submerged or receiving water, then reconnect power
Reduced flow rate	Inlet/outlet blocked Impeller dirty Pump operating at low power setting	Check and clear blockages in hoses/fittings Clean impeller (see Section 6.1) Adjust power setting (if applicable)
Pump making unusual noise	Debris in impeller Worn impeller or shaft	Clean impeller (see Section 6.1) Contact customer support for replacement parts

8. SPECIFICATIONS

Feature	Specification
Model	TSP
Power Consumption	52 - 290 Watts
Maximum Flow Rate	30,000 Liters Per Hour
Maximum Head Height	5 Meters
Connection Size	50 mm
Cable Length	10 Meters
Dimensions (L x W x H)	188 x 104 x 128 mm
Max. Debris Particle Size	6 mm
Energy Source	Corded Electric
Manufacturer	JEBAO
First Available Date	February 21, 2020

9. WARRANTY AND SUPPORT

This product comes with an Italian warranty. For warranty claims, technical support, or replacement parts, please contact your retailer or the official Jebao distributor in your region. Ensure you have your proof of purchase and product model information available when contacting support.