



[Manuals.plus](#) /

> [Ivation](#) /

> Ivation Wall-Mounted Ironing Board User Manual

Ivation WMIB

Ivation Wall-Mounted Ironing Board User Manual

Model: WMIB

INTRODUCTION

The Ivation Wall-Mounted Ironing Board is designed for efficient ironing in spaces where traditional ironing boards are impractical. Its foldable design allows for convenient storage and quick deployment, making it ideal for homes, apartments, and small laundry rooms.

- Space-saving design mounts vertically to the wall.
- Easy lock and release lever for quick setup and storage.
- Sturdy alloy steel frame supports up to 25 pounds.
- Removable and washable 100% cotton cover.
- Heat and scorch resistant cover, handling temperatures up to 500°F.

SETUP AND INSTALLATION

Before installation, select a suitable wall location. Ensure the wall material can support the board's weight and usage. All necessary mounting hardware is included.

Mounting the Board

The ironing board frame is designed for secure wall mounting. It features multiple points for screws to ensure stability. The dimensions of the board are approximately 36.2 inches long by 12.2 inches wide when extended.

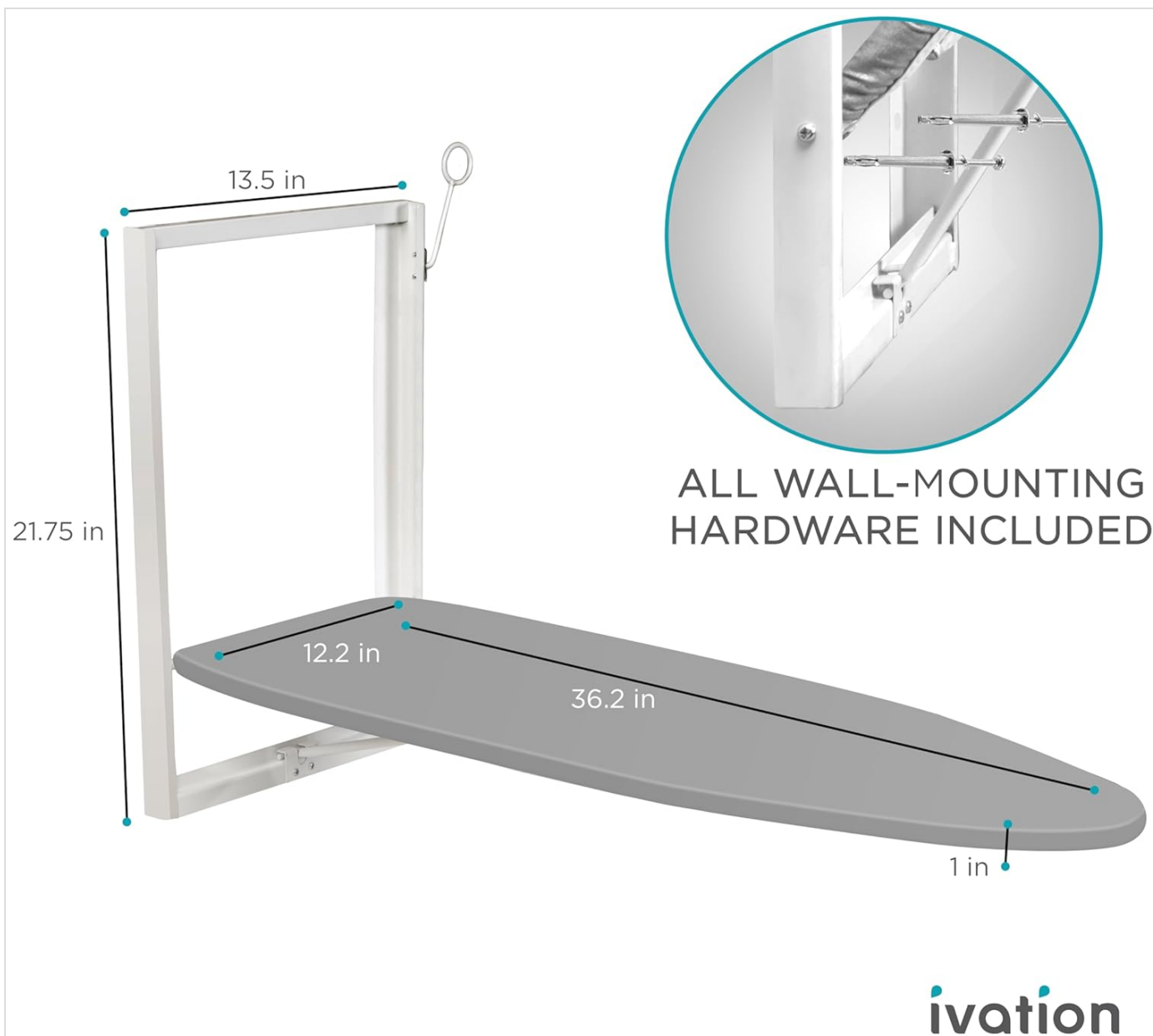


Figure 1: Board dimensions and included wall-mounting hardware.

The sturdy frame design, made of alloy steel, ensures the board remains stable during use, supporting up to 25 pounds. This robust construction prevents wobbling and provides a reliable surface for ironing.



Figure 2: Detail of the high-quality, sturdy support bar and load-bearing capacity.

For a visual guide on installation and operation, please refer to the video below:

Your browser does not support the video tag.

Video 1: Demonstration of the Ivation Wall Mounted Iron Board, including installation and usage.

OPERATING INSTRUCTIONS

Unfolding the Ironing Board

To unfold the ironing board, simply move the built-in easy-release lever to the open position. The board will then lower smoothly until it is horizontal and ready for use. This mechanism allows for quick and effortless setup.

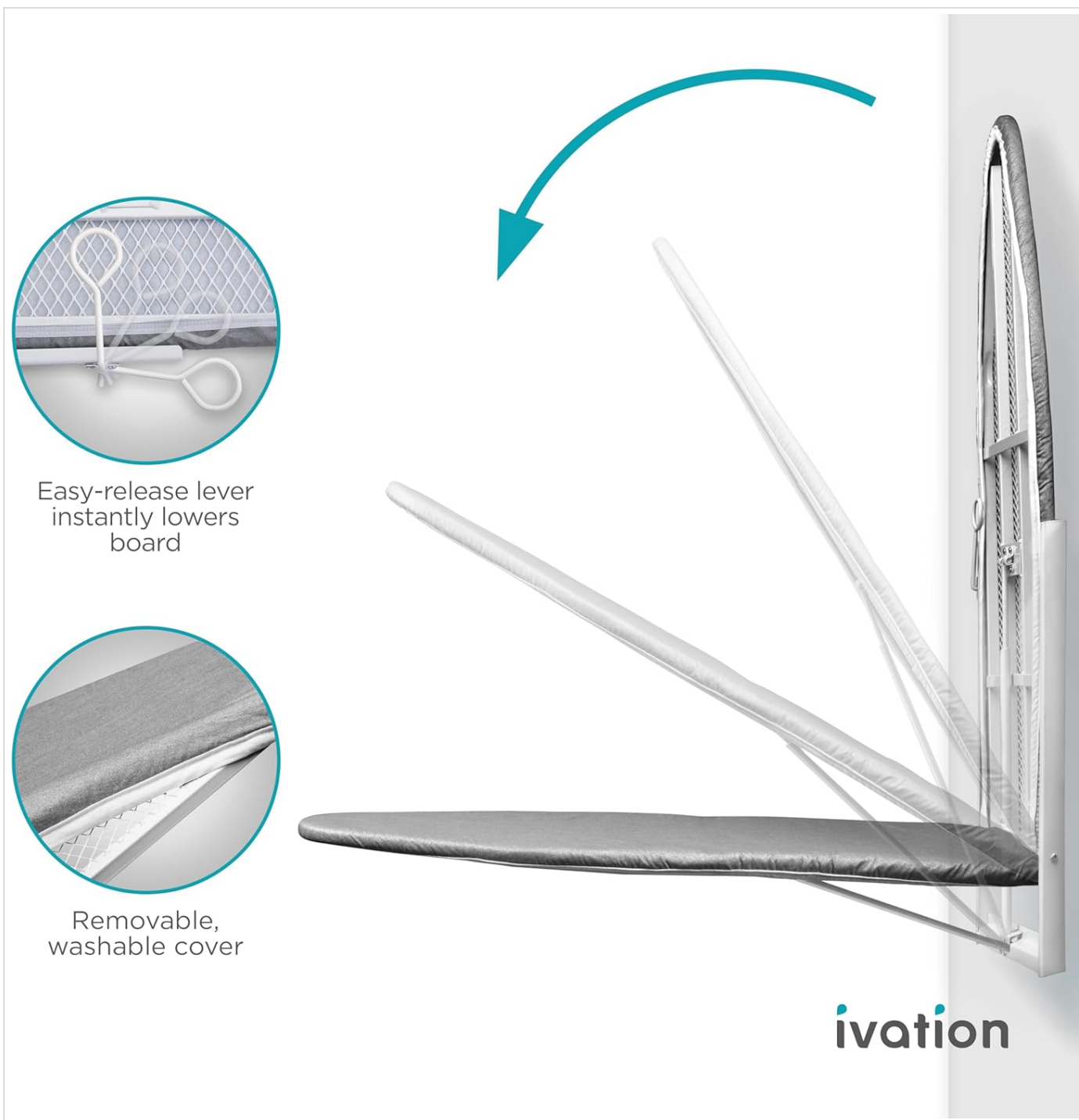


Figure 3: Steps to unfold the ironing board using the easy-release lever.



Figure 4: The ironing board fully extended and ready for use.

Folding and Storing the Ironing Board

When you are finished ironing, the board can be easily folded back up against the wall. Lift the board until it is vertical and secure it with the locking mechanism. This compact design ensures the board remains flush with the wall, saving valuable space.



**STOW IT AWAY
TO SAVE SPACE**

Figure 5: The ironing board folded vertically against the wall for space-saving storage.

See the quick demonstrations of folding and unfolding the board:

Your browser does not support the video tag.

Video 2: Quick demonstration of the ironing board's folding mechanism in a laundry room.

Your browser does not support the video tag.

Video 3: Another quick demo of the wall-mounted ironing board's functionality.

MAINTENANCE

Proper maintenance ensures the longevity and optimal performance of your Ivation Wall-Mounted Ironing Board.

Cleaning the Cover

The ironing board features a durable 100% cotton cover that is removable for cleaning. It is safe to clean in a washing machine and dryer. This allows for easy maintenance and ensures a clean ironing surface for many years.

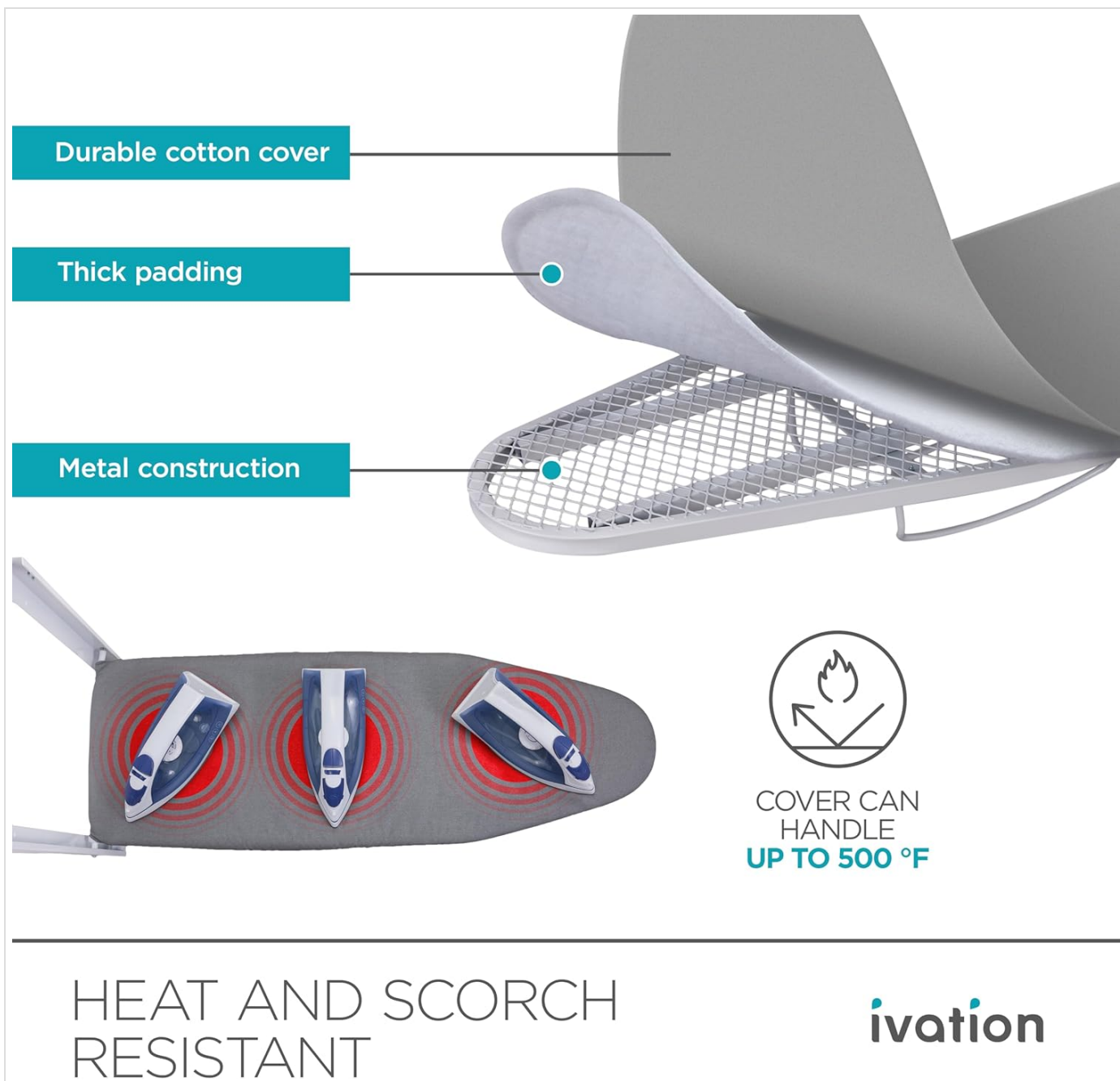


Figure 6: Details of the durable cotton cover, thick padding, and metal construction, highlighting heat resistance up to 500°F.

TROUBLESHOOTING

If you encounter any issues with your Ivation Wall-Mounted Ironing Board, please consider the following common solutions:

- **Board not locking securely:** Ensure the easy-release lever is fully engaged in the locked position when the board is folded up. Check for any obstructions preventing the mechanism from fully closing.
- **Board feels wobbly:** Verify that all mounting screws are tightly secured to the wall. If mounted into drywall, ensure appropriate anchors were used and are properly installed.
- **Cover is stained or worn:** The cotton cover is removable and machine washable. Replace the cover if it is excessively worn or damaged to maintain optimal ironing performance.

For more detailed troubleshooting or persistent issues, please contact Ivation customer support.

SPECIFICATIONS

Feature	Detail
Brand	Ivation
Model Number	WMIB
Material	Alloy Steel, Cotton
Product Dimensions	40.71"L x 15.12"W x 2.05"H (folded)
Ironing Surface Dimensions	36.2"L x 12.2"W
Item Weight	8.58 pounds
Mounting Type	Wall Mount
Load Capacity	Up to 25 pounds
Cover Heat Resistance	Up to 500°F
Date First Available	January 9, 2020

WARRANTY AND SUPPORT

For information regarding product warranty, returns, or technical support, please visit the official Ivation website or contact their customer service department directly. Keep your purchase receipt for warranty claims.

You can find more information and contact details on the [Ivation Store Page](#).