

[Manuals.plus](#) /

› [Pamo babe](#) /

› Pamo babe 2in1 Bassinet Quick Foldable Travel Crib Portable Rocking Bassinet User Manual

Pamo babe 5

Pamo babe 2in1 Bassinet User Manual

Model: 5

1. SAFETY INFORMATION

Please read and understand all instructions before assembling and using the Pamo babe 2in1 Bassinet. Keep this manual for future reference.

Important Safety Warnings:

- **SUFFOCATION HAZARD:** Infants can suffocate in gaps between an extra pad and the side of the bassinet, or on soft bedding. Use **ONLY** the mattress provided by the manufacturer. **NEVER** add a pillow, comforter, or another mattress for padding.
- To prevent falls, do not use this product once your infant begins to push up on hands and knees, or has reached 20 lbs (9 kg), whichever comes first.
- Always ensure the bassinet is placed on a firm, flat, and level surface.
- Never leave your child unattended in the bassinet.
- Ensure all assembly mechanisms are securely locked before placing an infant in the bassinet.
- Do not use the bassinet if any parts are missing, damaged, or broken. Contact the manufacturer for replacement parts.
- Keep small parts away from children during assembly.

2. PRODUCT OVERVIEW

The Pamo babe 2in1 Bassinet is designed for portability and ease of use, offering both stationary and gentle rocking modes for your infant. It features a quick fold system and breathable mesh sides.



Figure 2.1: Fully assembled Pamo babe 2in1 Bassinet.

Key Features:

- **Foldable & Compact:** One-second open and fold system for easy transport and storage. Folds to 21.3 x 7.5 x 19.3 inches and weighs 17 lb.
- **Designed for Airflow:** Sides are made from soft, airy mesh fabric for ventilation and visibility.
- **Functional Features:** Can be used in stationary or rocking modes. Includes a handy storage basket below for baby essentials.
- **Comfortable Mattress:** Thick, soft-to-touch mattress with a large lying area (18 x 34 inches) for infant comfort.
- **Stable Construction:** Made with high-quality, lightweight, but sturdy aluminum alloy frame.



Rocking Mode



Soft Padded Mattress



Compact Folding



Practical Storage Basket

Figure 2.2: Visual representation of key features including rocking mode, mattress, folding, and storage.



Figure 2.3: Exploded view illustrating the bassinet's components and features.

3. SETUP INSTRUCTIONS

The Pamo babe 2in1 Bassinet features a tool-free, quick-fold design for easy setup and takedown.

3.1 Unfolding the Bassinet

1. Remove the bassinet from its travel bag.
2. Place the folded bassinet on a flat surface.
3. Gently pull the sides of the bassinet upwards and outwards until the frame locks into place. Ensure all four legs are fully extended and stable.
4. Press down firmly on the mattress to ensure it is flat and securely positioned within the bassinet.

Your browser does not support the video tag.

Video 3.1: Demonstration of the quick and easy setup process for the Pamo babe bassinet.

3.2 Folding the Bassinet

1. Remove the mattress from the bassinet.
2. Locate the central pull handle or mechanism (often found in the middle of the bassinet base).

3. Perform a "QUICK PULL UP" on this handle to disengage the locking mechanisms and allow the bassinet to fold inward.
4. Compress the bassinet until it is fully folded.
5. Place the folded bassinet and mattress back into the travel bag for storage or transport.



Figure 3.1: The bassinet is designed for easy portability when folded.



Figure 3.2: The bassinet folds compactly for storage and travel.

4. OPERATING MODES

4.1 Rocking Mode

The bassinet can be set to a gentle rocking mode to help soothe your baby. To activate, ensure the curved base supports are free to move. The rocking motion is designed to be subtle and comforting.

4.2 Stationary Mode

For a stable sleeping environment, the bassinet can be set to a stationary mode. This typically involves rotating or locking the curved base supports to prevent rocking. Refer to the specific locking mechanism on your bassinet model to ensure it is securely in stationary position.



Figure 4.1: The bassinet can be set to a gentle rocking motion.

5. STORAGE BASKET

A convenient storage basket is located beneath the bassinet. This basket is ideal for keeping baby essentials such as diapers, wipes, and small toys within easy reach.



Figure 5.1: The under-bassinet storage basket provides convenient access to baby items.

6. CARE AND MAINTENANCE

Proper care ensures the longevity and safety of your Pamo babe 2in1 Bassinet.

- **Product Care Instructions:** Hand Wash Only. Refer to the care label on the fabric components for specific washing instructions.
- Regularly inspect the bassinet for any signs of wear, damage, or loose parts.
- Clean the frame with a damp cloth and mild soap. Dry thoroughly.
- Ensure the mattress is clean and dry before placing it back into the bassinet.

7. TROUBLESHOOTING

If you encounter any issues with your Pamo babe 2in1 Bassinet, please refer to the following common solutions:

- **Issue: The bed surface does not appear flat.**

Solution: Ensure the mattress is correctly positioned and fully extended within the bassinet. Verify that the bassinet frame is completely unfolded and all locking mechanisms are engaged. The mattress is designed to fold for portability, so ensure it is laid flat.

- **Issue: The bassinet does not rock smoothly or seems unstable.**

Solution: Confirm that the bassinet is placed on a flat, level, and stable surface. Check that the rocking mechanism is properly engaged (or disengaged for stationary mode) and that no obstructions are preventing smooth movement. The rocking motion is intended to be gentle.

- **Issue: Difficulty folding or unfolding the bassinet.**

Solution: Ensure you are using the central pull handle for folding and applying a "QUICK PULL UP" motion. For unfolding, ensure the frame is fully extended until it clicks into place. Do not force any parts.

If these solutions do not resolve the issue, please contact customer support.

8. PRODUCT SPECIFICATIONS

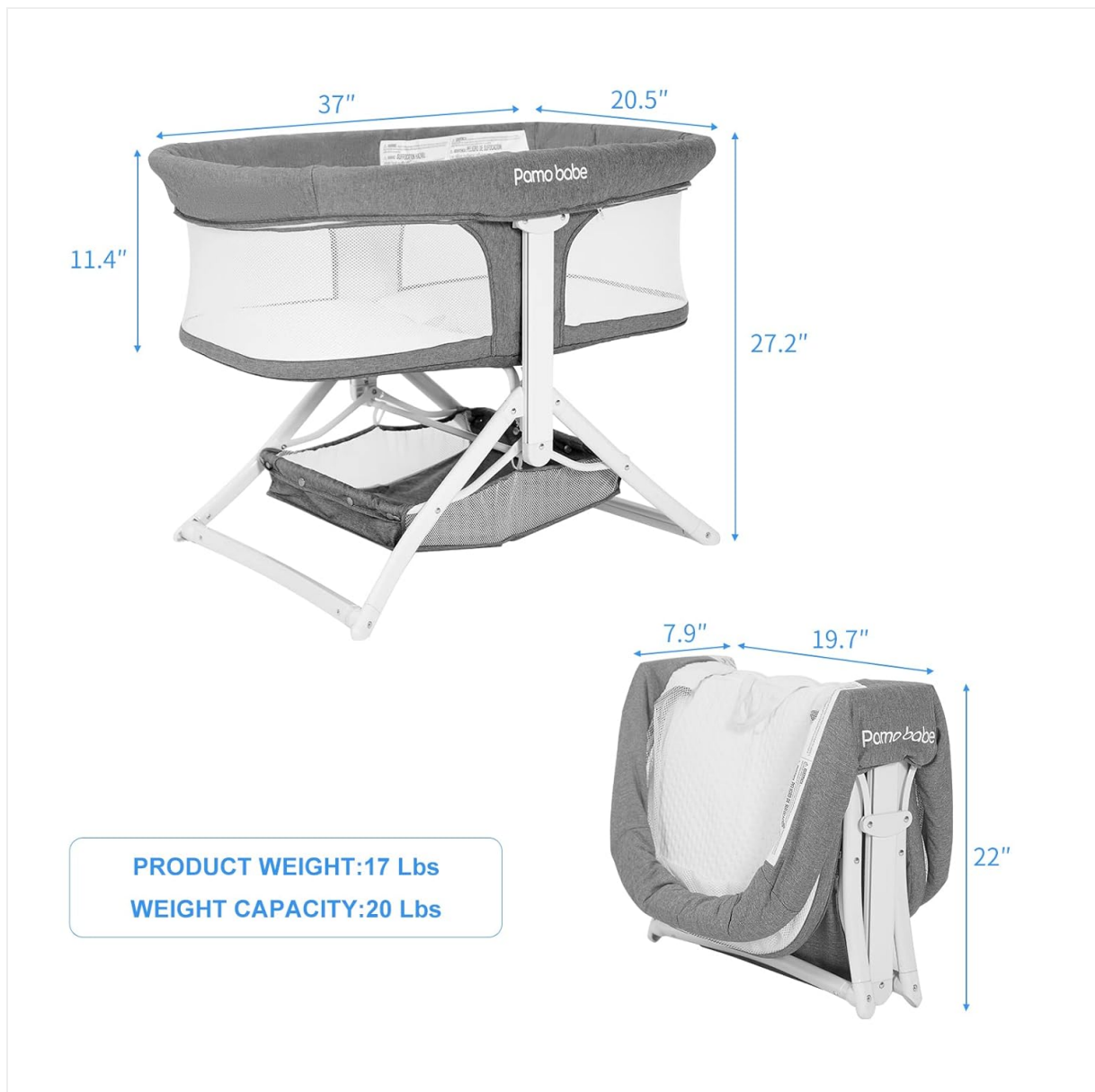


Figure 8.1: Product dimensions and weight capacity.

Attribute	Detail
Brand	Pamo babe

Model Number	5
Color	Grey
Product Dimensions (Unfolded)	37"L x 20.5"W x 27.2"H
Product Dimensions (Folded)	21.3"L x 7.5"W x 19.3"H (approximate based on feature bullets)
Item Weight	17 Pounds
Weight Capacity	20 lbs (9 kg)
Material Type	Metal, Fabric, Mesh
Frame Material	Aluminum
Product Care Instructions	Hand Wash Only
UPC	782429896005

9. WARRANTY AND CUSTOMER SUPPORT

For warranty information, product support, or to inquire about replacement parts, please contact Pamo babe customer service directly. Refer to the product packaging or the official Pamo babe website for contact details.