

Manuals+

[Q & A](#) | [Deep Search](#) | [Upload](#)

manuals.plus /

> [SOKA](#) /

> [SOKA Kitchen Faucet Pull Down Stainless Steel Single Handle Aquablade \(SK5002NY\) User Manual](#)

SOKA SK5002NY

SOKA Kitchen Faucet Pull Down Stainless Steel Single Handle Aquablade (SK5002NY) User Manual

Model: SK5002NY | Brand: SOKA

1. INTRODUCTION

This manual provides detailed instructions for the installation, operation, and maintenance of your SOKA Kitchen Faucet, model SK5002NY. Please read this manual thoroughly before installation and use to ensure proper function and longevity of your product. Keep this manual for future reference.

Key Features:

- **Aquablade Design:** Provides a powerful blade of water for effective cleaning.
- **Three Working Modes:** Stream, Spray, and Sweep for versatile use.
- **Pull-Down Sprayer:** Offers extended reach and flexibility.
- **Easy Installation:** Designed for straightforward setup in 1 or 3-hole configurations.
- **Durable Construction:** Made from 304 stainless steel with a brushed nickel finish, resistant to corrosion and rust.
- **360-Degree Rotation:** Enhances maneuverability and sink coverage.

2. SAFETY INFORMATION

- Always turn off the main water supply before beginning any installation or maintenance.
- Wear appropriate personal protective equipment, such as safety glasses and gloves, during installation.
- Ensure all connections are secure to prevent leaks.
- Do not overtighten connections, as this may damage components.
- If you are unsure about any part of the installation process, consult a qualified plumber.

3. PACKAGE CONTENTS

Verify that all components are present before beginning installation:

- 1 x SOKA Kitchen Faucet (SK5002NY)

- 1 x Hot and Cold Inlet Water Pipe
- 1 x Installation Instruction Manual
- 1 x Deck Plate (for 3-hole installation)
- Installation Hardware (nuts, washers, gaskets)

4. SPECIFICATIONS

Product Specifications for SOKA SK5002NY Faucet

Feature	Detail
Brand	SOKA
Model Number	SK5002NY
Material	Solid Stainless Steel
Finish Type	Brushed Nickel
Number of Handles	1
Installation Type	Single Hole (1 or 3 hole compatible with deck plate)
Overall Height	16.4 inches
Spout Height	8 inches
Spout Reach	9 inches
Deck Plate Length	10 inches
Sprayer Head Material	ABS Plastic
Handle Material	Zinc Alloy
Valve Type	Ceramic Valve
Water Modes	Stream, Spray, Sweep
Maximum Flow Rate	1.8 Gallons Per Minute
Certifications	NSF/AB1953, IAMPO
Item Weight	1.5 pounds

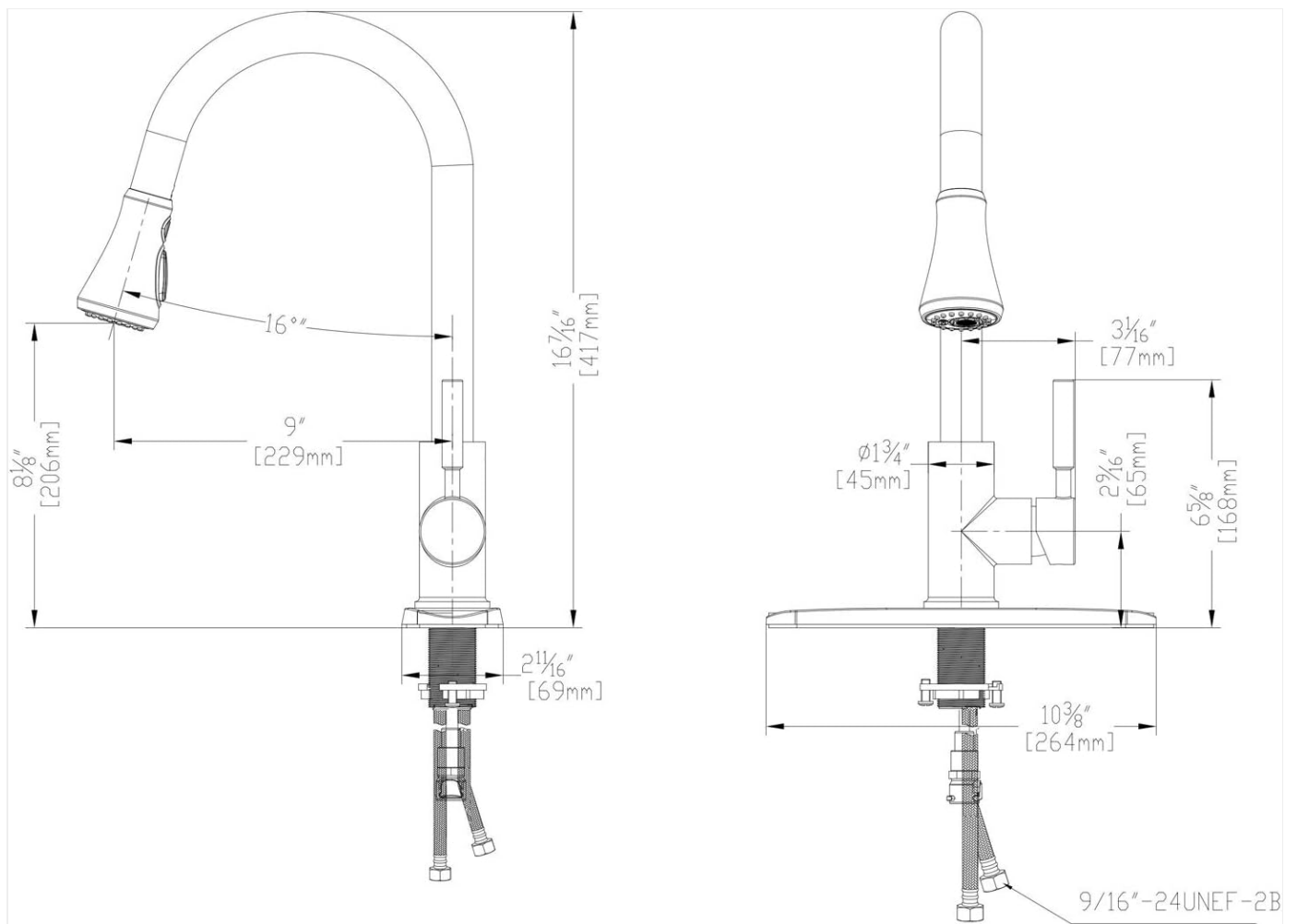


Figure 1: Faucet Dimensions. Overall height is 16.4 inches, spout height is 8 inches, and spout reach is 9 inches.

5. SETUP AND INSTALLATION

This faucet is designed for easy installation and can be mounted on 1-hole or 3-hole sinks. A deck plate is included for 3-hole installations.

5.1 Before You Begin:

- Ensure you have all necessary tools: adjustable wrench, screwdriver, plumber's putty or silicone sealant, and a flashlight.
- Turn off the main water supply before beginning any installation or maintenance.
- Clear the area under the sink for easy access.

5.2 Installation Steps:

1. **Prepare the Sink:** If installing on a 3-hole sink, place the deck plate over the holes. For a 1-hole sink, the deck plate is not required.
2. **Mount the Faucet:** Insert the faucet body through the center hole (and deck plate if used). Ensure the faucet is oriented correctly.
3. **Secure the Faucet:** From underneath the sink, slide the rubber washer, metal washer, and mounting nut onto the threaded shank. Hand-tighten the mounting nut, then use an adjustable wrench to secure it firmly.
4. **Connect Water Lines:** Attach the hot and cold water supply lines to the corresponding connections on the faucet body. Ensure the hot water line connects to the hot inlet and the cold water line to the cold inlet. Tighten connections with a wrench, but do not overtighten.
5. **Install Sprayer Hose:** Connect the pull-down sprayer hose to the quick-connect fitting on the faucet's underside.

Ensure it clicks securely into place.

- 6. Install Weight:** Attach the counterweight to the pull-down hose approximately 6-8 inches from the bottom of the faucet body. This helps the sprayer retract smoothly.
- 7. Test for Leaks:** Turn on the main water supply slowly and check all connections for leaks. Operate the faucet to ensure proper water flow and temperature control.



Figure 2: 1-Hole or 3-Hole Installation. The faucet can be installed with or without the included deck plate depending on your sink configuration.

6. OPERATING INSTRUCTIONS

Your SOKA kitchen faucet features a single handle for water flow and temperature control, and a pull-down sprayer with three distinct spray modes.

6.1 Water Flow and Temperature Control:

- **Turn On/Off:** Lift the handle to turn on the water. Push down to turn off.

- **Adjust Temperature:** Move the handle left for hot water and right for cold water.
- **Adjust Flow:** Lift the handle higher for increased water flow.



Figure 3: Faucet with Single Handle. The single handle controls both water temperature and flow.

6.2 Pull-Down Sprayer and Spray Modes:

The sprayer head can be pulled down for extended reach and offers three spray modes:

- **Stream Mode:** Ideal for filling pots and general washing.
- **Spray Mode:** Provides a wider spray for rinsing dishes and the sink.
- **Sweep Mode (Aquablade):** A powerful blade of water designed to sweep away stubborn food debris.

To switch between modes, press the corresponding button on the sprayer head.



Figure 4: Sprayer in Use (Spray Mode). The pull-down sprayer provides flexibility for rinsing dishes.



Figure 5: Sprayer in Use (Cleaning Pan). The spray mode effectively cleans cookware.



Figure 6: Sprayer in Use (Sweep Mode). The powerful sweep mode is effective for cleaning produce.



STREAM

Stream mode perfect for filling or washing

Figure 7: Stream Mode. This mode provides a steady, aerated flow for general tasks.

3-HOLE INSTALLATION

Retractable Hose: 20"

Faucet Height: 16.4"

Spout Height: 8"

Sprayer Reach: 9"

Spout Reach: 10"



Figure 8: Spray Mode. This mode is suitable for rinsing and wider coverage.



Figure 9: Sweep Mode. The powerful Aquablade sweep mode helps remove stubborn debris.

Fits 1 Or 3 Hole Installation (Deck Plate Included)



ONE HOLE ✓

No need for a
deck plate



THREE HOLE ✓

Need a deck
plate (Included)



Figure 10: Faucet Flexibility. The faucet swivels 360 degrees, and the sprayer extends for maximum coverage.

7. MAINTENANCE

Regular maintenance will help preserve the finish and functionality of your SOKA faucet.

7.1 Cleaning the Faucet:

- Clean the faucet regularly with a soft cloth and mild soap.
- Avoid abrasive cleaners, harsh chemicals, or scouring pads, as these can damage the finish.
- Rinse thoroughly with water after cleaning and dry with a soft cloth to prevent water spots.

7.2 Cleaning the Sprayer Head:

- Mineral deposits can accumulate in the sprayer nozzles over time, affecting water flow.
- The Neoperl ABS aerator in the sprayer head can be removed with a coin for cleaning or replacement.

- Gently rub the rubber nozzles to dislodge any mineral buildup. For stubborn deposits, soak the sprayer head in a solution of equal parts white vinegar and water.

8. TROUBLESHOOTING

If you encounter issues with your faucet, refer to the common problems and solutions below:

Problem	Possible Cause	Solution
Low Water Flow	Clogged aerator or mineral buildup in sprayer nozzles.	Remove and clean the aerator/sprayer nozzles (refer to Maintenance section). Check water supply valves are fully open.
Leaks from Faucet Base	Loose mounting nut or damaged gasket.	Tighten the mounting nut under the sink. Inspect and replace gaskets if damaged.
Leaks from Sprayer Head	Loose connection or damaged O-rings.	Ensure the sprayer hose is securely connected. Inspect and replace O-rings if necessary.
Water Temperature Issues	Incorrect hot/cold line connection or issues with water heater.	Verify hot and cold lines are connected correctly. Check your water heater settings.
Sprayer Does Not Retract Fully	Counterweight improperly positioned or hose obstructed.	Adjust the position of the counterweight on the hose. Ensure the hose moves freely under the sink without obstruction.

If the problem persists after attempting these solutions, please contact customer support.

9. WARRANTY AND SUPPORT

9.1 Warranty Information:

SOKA provides a **lifetime limited warranty** for this product, covering defects in material and manufacturing. Additionally, any quality problem within the first month of purchase qualifies for a full refund and a new kitchen faucet. For quality issues within 1 month, a new product will be provided.

9.2 Customer Support:

For any product issues, questions, or warranty claims, please contact us through Amazon. We aim to reply within 24 hours and strive for 100% product satisfaction.

You can also refer to the official Certificate of Compliance (PDF) available [here](#) for additional product documentation.

