

## ROKR MC501

# ROKR MC501-Prime Steam Express 3D Wooden Mechanical Train Model Instruction Manual

---

## INTRODUCTION

---

This manual provides comprehensive instructions for the assembly, operation, and maintenance of your ROKR MC501-Prime Steam Express 3D Wooden Mechanical Train Model. Designed for enthusiasts, this 1:80 scale model offers an engaging building experience with intricate details and functional mechanical components. Please read all instructions carefully before beginning assembly.

## PRODUCT OVERVIEW

---

The ROKR MC501-Prime Steam Express is a detailed 3D wooden puzzle that replicates a classic steam locomotive from the 19th century. This model features laser-cut plywood pieces that interlock without the need for glue, ensuring a clean and precise assembly. The finished model includes characteristic elements such as a crankshaft, connecting rod, chimney, and a detachable carriage.

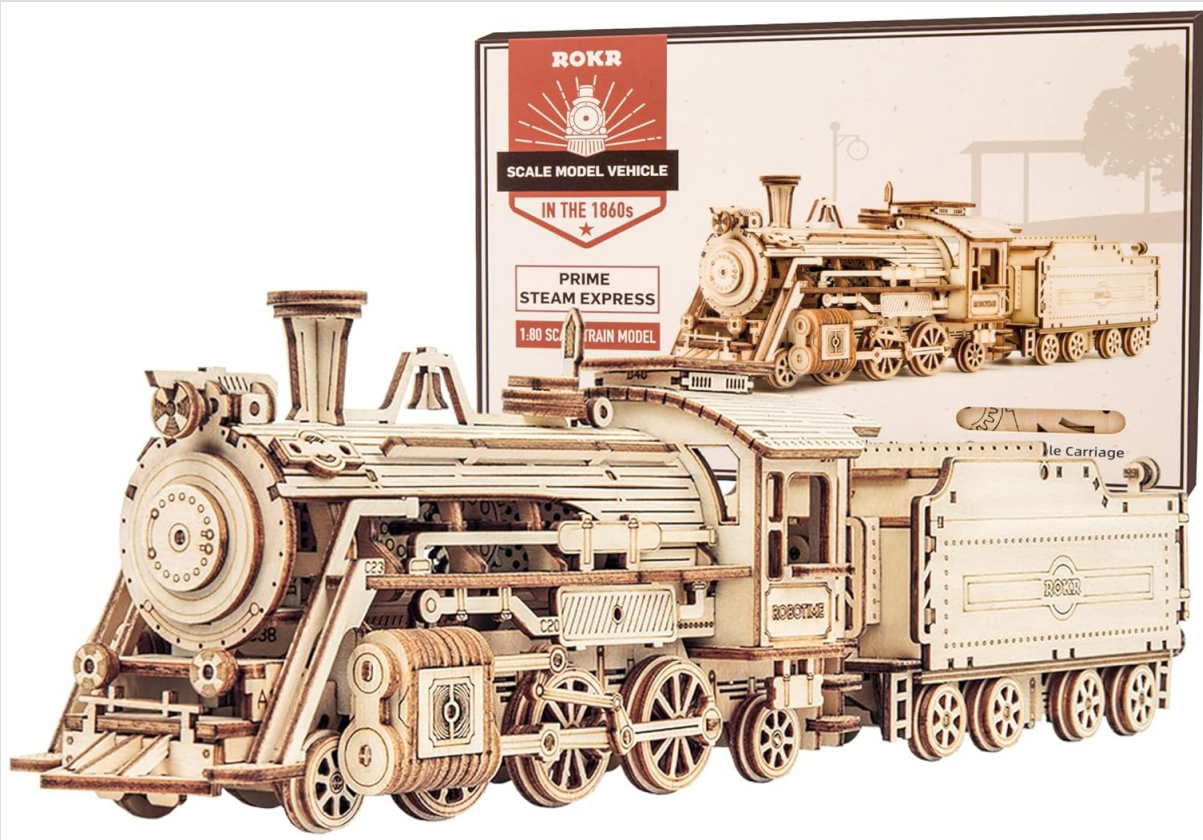


Image: The ROKR MC501-Prime Steam Express 3D Wooden Mechanical Train Model in its packaging, showcasing the assembled train.

# Prime Steam Express 1:80 Scale Model



Image: The fully assembled ROKR Prime Steam Express 1:80 scale model train on a miniature track, set against a natural background.

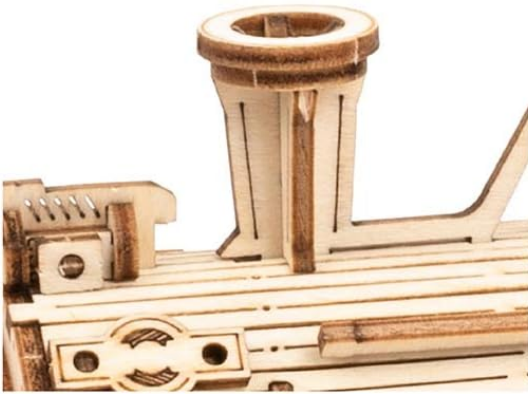
## Crankshaft & Connecting Rod



## Detachable Carriage for Storage



## Chimney



## Steam Whistle



Image: Close-up views highlighting key features of the model: the crankshaft and connecting rod, the detachable carriage for storage, the detailed chimney, and the steam whistle.

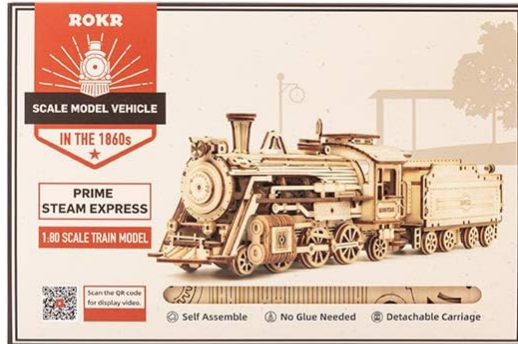
## ASSEMBLY INSTRUCTIONS

Assembly of the ROKR MC501-Prime Steam Express requires attention to detail and patience. All 308 pieces are pre-cut and designed for interlocking assembly without adhesive. Follow the detailed English instruction manual provided in the kit.

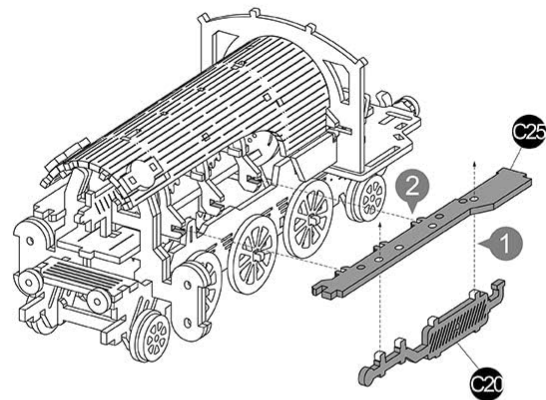
1. **Unpack Components:** Carefully remove all wooden sheets and the instruction manual from the packaging.
2. **Identify Parts:** Refer to the parts diagram in the manual to identify each piece. Pieces are numbered for easy identification.
3. **Pop Out Pieces:** Gently press out each puzzle piece from its wooden sheet. Use a small tool if necessary, but avoid excessive force to prevent breakage.
4. **Follow Step-by-Step Guide:** Adhere strictly to the sequence of steps outlined in the instruction manual. Each step illustrates how to connect specific pieces.
5. **Interlocking Mechanism:** Ensure all interlocking mechanisms are securely fitted. Do not force pieces together; if a piece does not fit, re-check the manual for correct orientation or part identification.
6. **Test Moving Parts:** As you assemble sections with moving parts (e.g., wheels, crankshaft), periodically test their movement to ensure they are not too tight or obstructed.

7. **Final Assembly:** Complete all sections and connect them as per the final steps in the manual to form the complete train model.

### Exquisite Packaging



### Follow English Instruction Manual



### Pop out the puzzle piece



### Build your own craft kit



Image: A visual guide to the assembly process, including the product packaging, a sample page from the English instruction manual, a sheet of laser-cut wooden puzzle pieces, and a partially assembled model.

# EVERYTHING YOU NEED

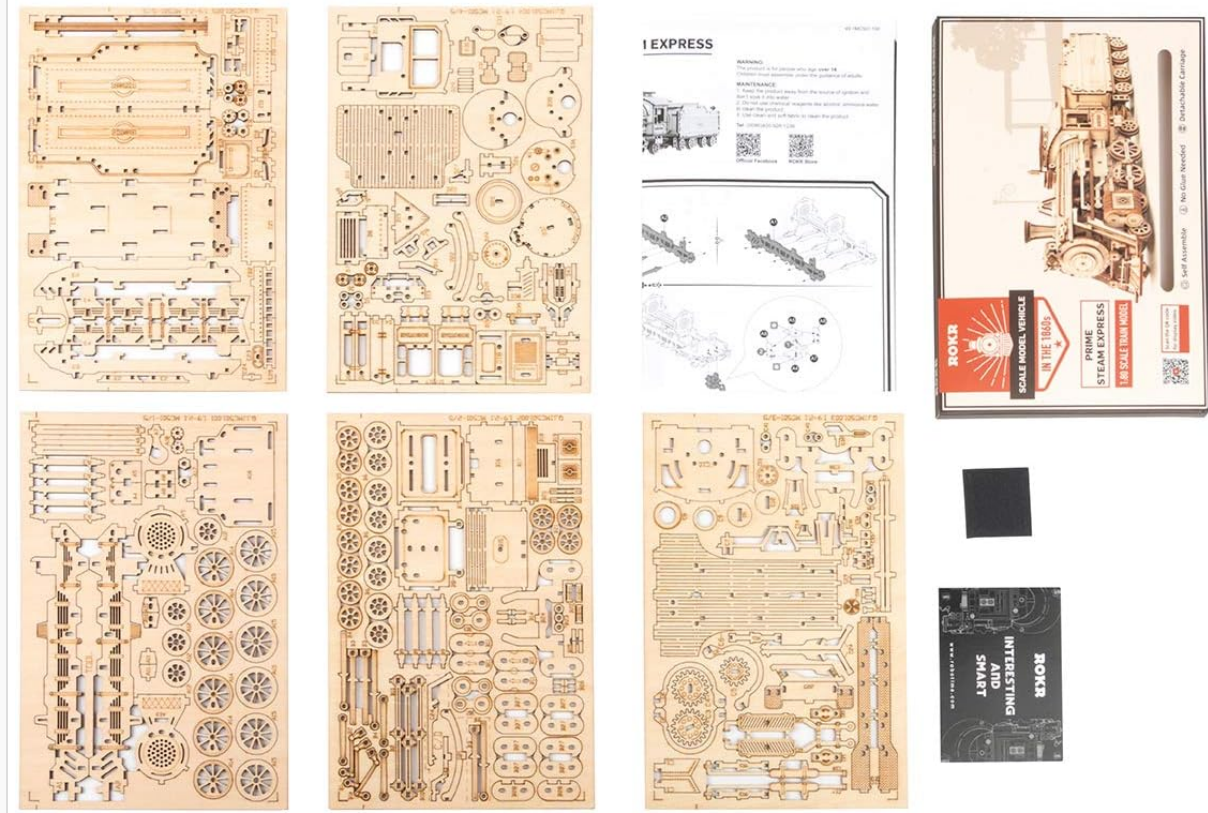


Image: An overview of all components included in the kit, featuring several sheets of laser-cut wooden pieces, the detailed instruction manual, and other small parts necessary for assembly.

Your browser does not support the video tag.

Video: This video demonstrates the ROKR Scale Model Vehicle series, beginning with the Prime Steam Express train model. It showcases the intricate details and mechanical movements of the assembled train, followed by other vehicle models like a Grand Prix car and an Army Jeep.

## OPERATING THE MODEL

The ROKR MC501-Prime Steam Express is a static display model with some functional mechanical elements. Once assembled, the wheels and connecting rods can move manually. There are no electronic components or motor for self-propulsion. Gently manipulate the wheels to observe the synchronized movement of the internal mechanisms.

## MAINTENANCE

- **Cleaning:** Dust the model regularly with a soft, dry cloth or a soft brush to prevent dust accumulation in intricate areas.
- **Storage:** Store the model in a dry environment away from direct sunlight and extreme temperature fluctuations to prevent warping or damage to the wood.
- **Handling:** Handle the model with care, especially delicate parts, to avoid accidental breakage.

## TROUBLESHOOTING

- **Broken Pieces:** Due to the delicate nature of some laser-cut wooden parts, occasional breakage may occur during assembly or handling. If a piece breaks, a small amount of wood glue can be used for repair. Allow sufficient drying time.
- **Parts Not Fitting:** Double-check the part numbers and the assembly steps in the manual. Ensure the orientation is correct. Do not force pieces, as this can cause damage.
- **Stiff Moving Parts:** If mechanical parts are stiff, ensure they are correctly aligned and that no excess wood dust or debris is obstructing movement. Gentle sanding with fine-grit sandpaper may be applied to contact points if necessary, but proceed with caution.

## SPECIFICATIONS

Feature	Detail
Brand	ROKR
Model Number	MC501
Product Name	Prime Steam Express
Material	Wood
Number of Pieces	308
Assembled Dimensions (L x W x H)	7 x 5 x 6.5 inches (approximate)
Item Weight	7.4 ounces (0.21 Kilograms)
Scale	1:80
Assembly Type	No Glue Needed, Interlocking



308pcs-Self Assemble



No Glue Needed

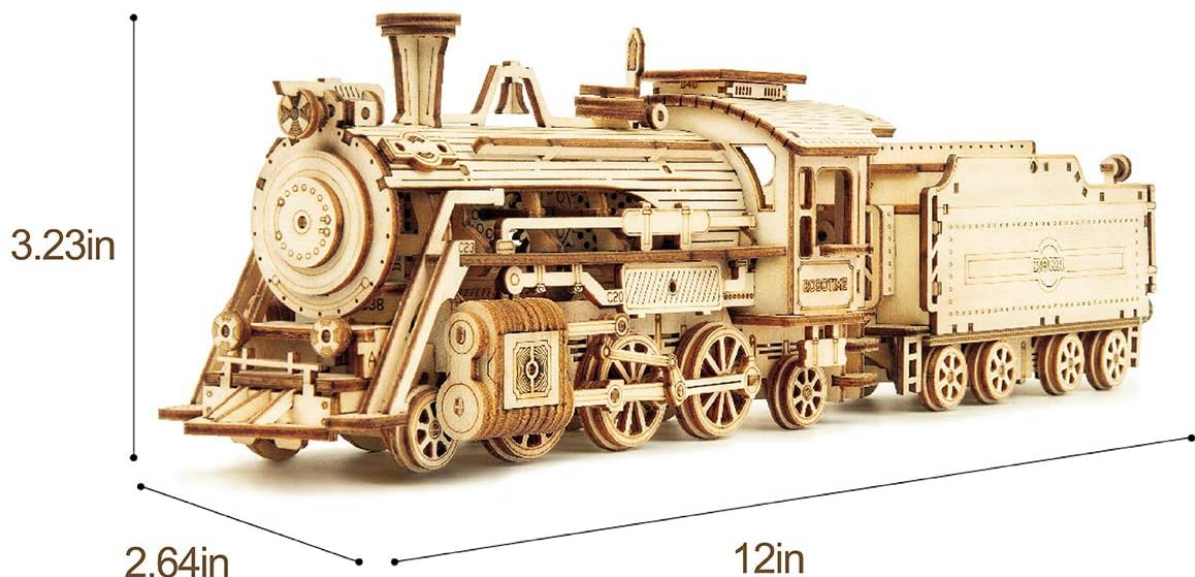


Image: A diagram illustrating the approximate dimensions of the assembled ROKR Prime Steam Express model, showing a length of 12 inches, a width of 2.64 inches, and a height of 3.23 inches.

## **WARRANTY AND SUPPORT**

---

For any inquiries regarding your ROKR MC501-Prime Steam Express model, including missing parts or assembly assistance, please contact ROKR customer support. Specific warranty details may vary; refer to the product packaging or the official ROKR website for the most current information.

---

© 2023 ROKR. All rights reserved.