

XIPUDA XPD-0021

XIPUDA Farmhouse Chandelier Instruction Manual

Model: XPD-0021 | Brand: XIPUDA

1. INTRODUCTION

Thank you for choosing the XIPUDA Farmhouse Chandelier. This 5-light linear pendant fixture is designed to enhance your dining room, kitchen island, or living space with its rustic yet elegant style. Crafted from solid steel with a geometric shape and manually brushed oak finish, this chandelier offers both aesthetic appeal and functional illumination. This manual provides detailed instructions for safe installation, operation, maintenance, and troubleshooting to ensure optimal performance and longevity of your lighting fixture.



Figure 1.1: XIPUDA Farmhouse Chandelier, Oak Finish

2. SAFETY INFORMATION

WARNING: RISK OF ELECTRIC SHOCK. Disconnect power at the fuse box or circuit breaker before installation or servicing.

- Read all instructions carefully before beginning installation.
- All electrical connections must be in accordance with local codes and ordinances, National Electric Code (NEC), and ANSI/NFPA 70-1999.
- If you are unsure about wiring, consult a qualified electrician.
- Use only UL-listed wire connectors.
- Do not exceed the maximum wattage specified for the bulbs (60W Max per bulb).
- Ensure the fixture is securely mounted to a structural part of the ceiling.
- Keep flammable materials away from the light bulbs.

- This fixture is for indoor use only.

3. PACKAGE CONTENTS

Verify that all components listed below are included in your package:

- Chandelier Frame with Bulb Sockets (1)
- Mounting Plate/Canopy (1)
- Adjustable Hanging Rods (Multiple sections: 20cm, 30cm, 50cm)
- Mounting Hardware (Screws, wire nuts, etc.)
- Instruction Manual (This document)

Note: E26 bulbs are not included and must be purchased separately.

4. SPECIFICATIONS

Feature	Detail
Brand	XIPUDA
Model Name	XPD-0021
Color	Oak
Material	Metal
Style	Antique / Farmhouse
Light Fixture Form	Ceiling (Linear Pendant)
Product Dimensions	33.46"L x 10.6"W x 12.2"H
Power Source	AC
Installation Type	Semi Flush Mount
Special Feature	Dimmable
Bulb Base	E26
Number of Light Sources	5
Voltage	120 Volts (AC)
Wattage	300 watts (Total)
Certification	UL Listed
Item Weight	14.5 Pounds

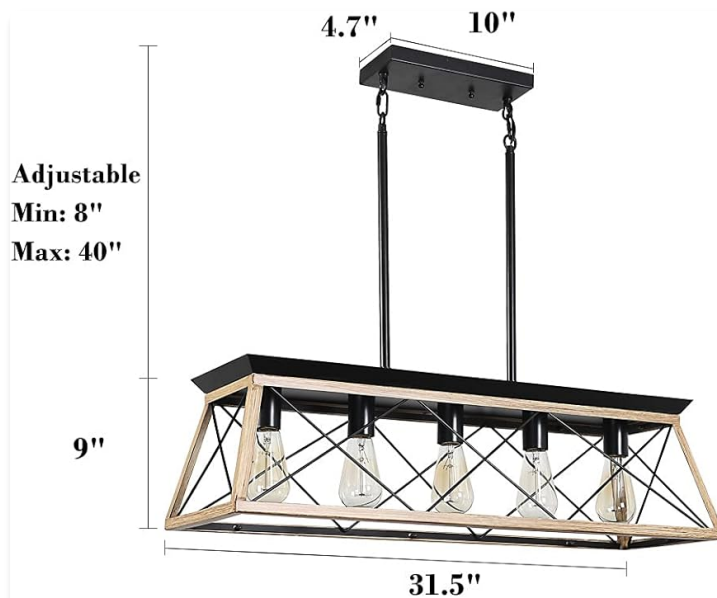
5. SETUP AND INSTALLATION

5.1 Pre-Installation

- Turn off power at the circuit breaker or fuse box.
- Ensure you have all necessary tools: Phillips screwdriver, flathead screwdriver, wire strippers, electrical tape, ladder, safety glasses.
- Unpack all components and inspect for any damage.

5.2 Assembly Steps

1. **Attach Mounting Plate:** Secure the mounting plate to the ceiling junction box using the provided screws. Ensure it is firmly attached.
2. **Adjust Hanging Length:** Select the appropriate combination of hanging rods (20cm, 30cm, 50cm) to achieve your desired fixture height. The total adjustable range is approximately 8 to 40 inches. Screw the chosen rods together and attach them to the fixture body and the canopy.



It comes with 3 size rods to Adjust the Hanging Length

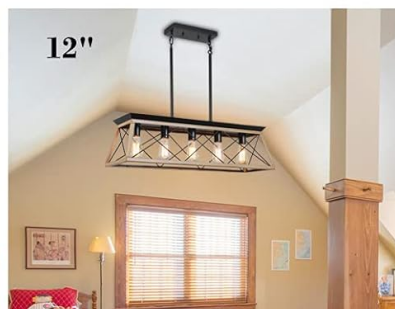
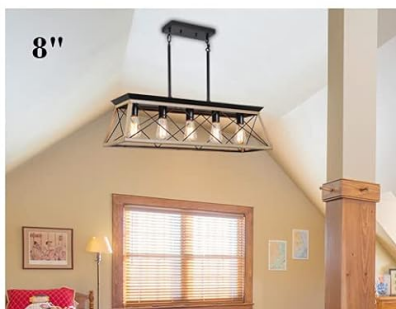
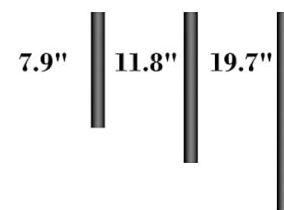


Figure 5.1: Adjustable Hanging Lengths

- Wire Connections:** Connect the fixture's wires to the house wires. Connect the black wire (live) from the fixture to the black wire from the junction box. Connect the white wire (neutral) from the fixture to the white wire from the junction box. Connect the green or bare copper wire (ground) from the fixture to the ground wire from the junction box. Secure connections with wire nuts and electrical tape.
- Mount Fixture:** Carefully lift the assembled fixture and align the canopy with the mounting plate. Secure the canopy to the mounting plate using the provided screws.

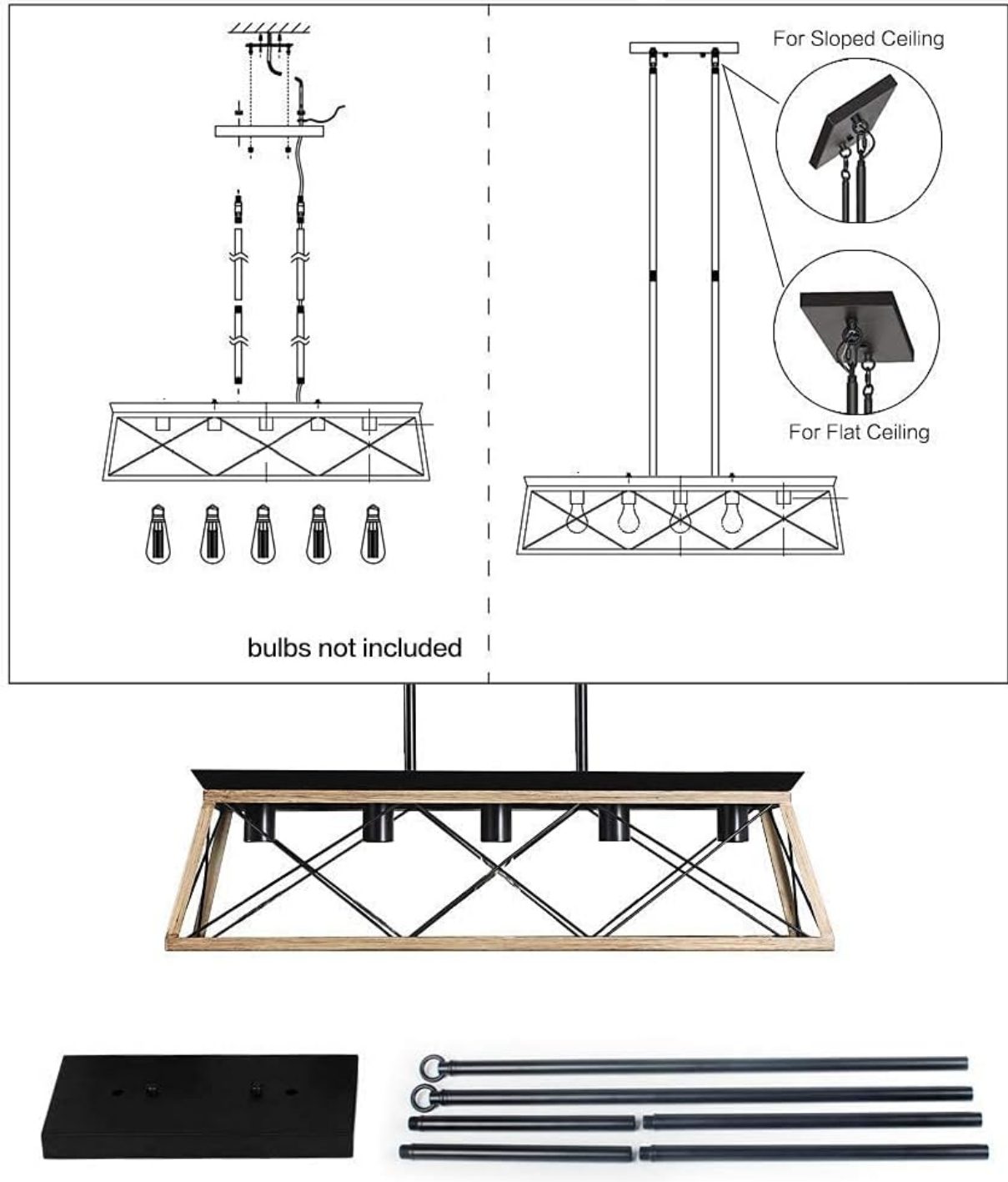


Figure 5.2: Installation Diagram

- Install Bulbs:** Screw five E26 base bulbs (not included, 60W Max each) into the sockets.

5.3 Installation Video Guide

For a visual guide on the installation process, please refer to the official product video below:

Your browser does not support the video tag.

Video 5.3: XIPUDA Farmhouse Pendant Light Fixture for Dining Room Installation Guide

This video provides a comprehensive overview of the XIPUDA Farmhouse Pendant Light Fixture, including its features and a demonstration of the installation process. It highlights the adjustable height and the overall aesthetic once installed.

6. OPERATING INSTRUCTIONS

Once installed and power is restored, operate the chandelier using your standard wall switch. This fixture is fully dimmable when wired to a compatible dimmer switch and used with dimmable E26 bulbs (not included). Adjust the dimmer switch to achieve your desired lighting ambiance.



Figure 6.1: Chandelier in a Dining Room Setting



Figure 6.2: Chandelier above a Kitchen Island

7. MAINTENANCE

7.1 Cleaning

- Always turn off the power to the fixture and allow it to cool before cleaning.
- Wipe the fixture with a soft, dry cloth.
- Do not use abrasive cleaners, solvents, or polishes as they may damage the finish.

7.2 Bulb Replacement

- Ensure the power is off and bulbs are cool before replacing.
- Unscrew the old E26 bulb and screw in a new one.
- Use only E26 base bulbs with a maximum wattage of 60W per bulb.
- For dimming functionality, ensure replacement bulbs are dimmable.



Strong Hooks Ensure Safety

Edison 26 Bulb



Manual Brush Painted.

Figure 7.1: E26 Bulb Sockets Detail

8. TROUBLESHOOTING

Problem	Possible Cause	Solution
Light does not turn on.	<ul style="list-style-type: none"> • Power is off. • Loose wire connections. • Faulty bulb. • Circuit breaker tripped. 	<ul style="list-style-type: none"> • Ensure power is on at the switch and breaker. • Check all wire connections. • Replace bulb. • Reset circuit breaker.
Light flickers.	<ul style="list-style-type: none"> • Loose bulb. • Incompatible dimmer switch/bulbs. • Loose wire connection. 	<ul style="list-style-type: none"> • Tighten bulb. • Ensure dimmer and bulbs are compatible. • Check wire connections.

Fixture is crooked.	<ul style="list-style-type: none">• Mounting not level.• Hanging rods not tightened properly.	<ul style="list-style-type: none">• Adjust mounting plate.• Ensure all rod connections are secure.
---------------------	--	---

9. WARRANTY AND SUPPORT

9.1 Warranty Information

The XIPUDA Farmhouse Chandelier (Model XPD-0021) comes with a 2-year limited warranty from the date of purchase. This warranty covers defects in materials and workmanship under normal use. It does not cover damage resulting from improper installation, accident, misuse, abuse, or unauthorized modifications.

9.2 Customer Support

If you have any questions, require additional accessories, or encounter issues not covered in this manual, please do not hesitate to contact XIPUDA customer service. Our team is dedicated to providing lifetime quality assurance and support.

Contact Information:

Email: support@xipuda.com (Example Email)

Website: www.xipuda.com (Example Website)