

Manuals+

[Q & A](#) | [Deep Search](#) | [Upload](#)

manuals.plus /

> [Alpicool](#) /

> [Alpicool C15 Portable Refrigerator 16 Quart\(15 Liter\) Vehicle, Car, Truck, RV, Boat, Mini fridge freezer for Driving, Travel, Fishing, Outdoor use -12/24V DC](#)

Alpicool C15

Alpicool C15 Portable Refrigerator User Manual

Model: C15 | Brand: Alpicool

1. INTRODUCTION

Thank you for choosing the Alpicool C15 Portable Refrigerator. This device is designed to provide efficient and reliable cooling or freezing for various applications, including vehicles, trucks, RVs, boats, and outdoor activities. Its compact size and versatile power options (12V/24V DC) make it an ideal companion for travel and adventures. Please read this manual thoroughly before operating the unit to ensure proper use, optimal performance, and safety.



Figure 1: Alpicool C15 Portable Refrigerator, showing its compact design and Alpicool branding.

2. IMPORTANT SAFETY INFORMATION

To reduce the risk of fire, electric shock, or injury, please observe the following safety precautions:

- Ensure the power supply voltage matches the voltage specified on the refrigerator's rating label.
- Do not operate the refrigerator if the power cord is damaged or if the unit is visibly damaged.
- Keep the ventilation openings clear of obstructions. Adequate airflow is essential for proper operation and to prevent overheating.
- Do not use electrical appliances inside the food storage compartments unless they are of the type recommended by the manufacturer.
- Avoid placing the refrigerator in direct sunlight or near heat sources.
- Do not immerse the unit in water or expose it to heavy rain.
- Always disconnect the power supply before cleaning or performing maintenance.
- This appliance is not intended for use by persons (including children) with reduced physical, sensory or mental capabilities, or lack of experience and knowledge, unless they have been given supervision or instruction concerning use of the appliance by a person responsible for their safety.

3. PACKAGE CONTENTS

Please check the package contents upon unpacking:

- Alpicool C15 Portable Refrigerator
- DC Power Cable (12V/24V)
- AC Adapter (for 100-240V AC power)
- User Manual (this document)

4. PRODUCT OVERVIEW

Familiarize yourself with the components of your Alpicool C15 refrigerator:

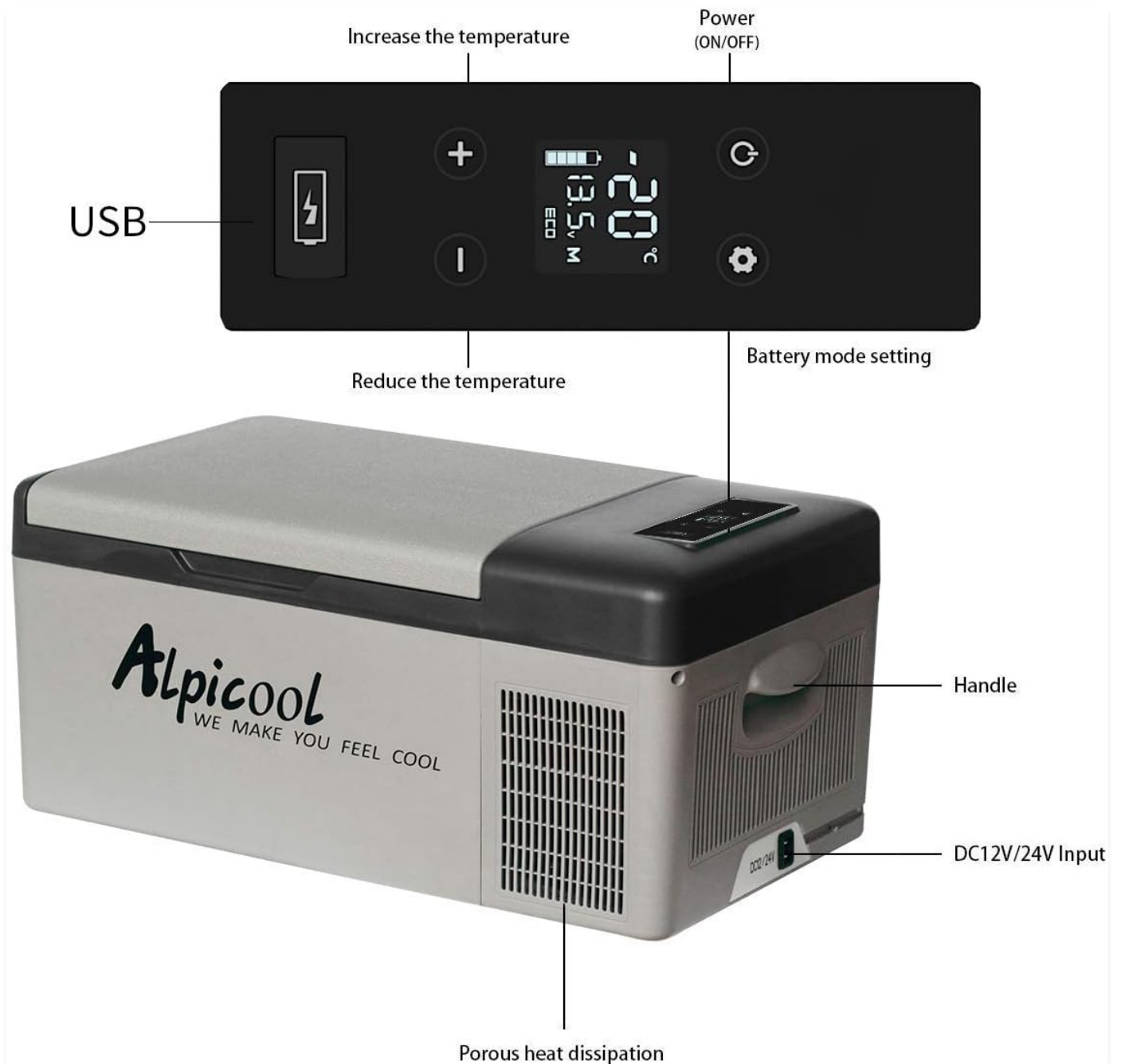


Figure 2: Key components and control panel of the Alpicool C15. This image highlights the USB port, temperature controls (+ and - buttons), power button, battery mode setting, handle, DC 12V/24V input, and porous heat dissipation area.

1. **Control Panel:** Digital display and buttons for operation.
2. **USB Charging Port:** For charging small electronic devices.
3. **Temperature Increase Button (+):** Increases the set temperature.
4. **Temperature Decrease Button (-):** Decreases the set temperature.
5. **Power Button:** Turns the unit On/Off.
6. **Setting Button (Gear Icon):** Accesses battery protection and cooling mode settings.
7. **Handle:** For easy portability.
8. **DC 12V/24V Input:** Power input for vehicle use.
9. **AC Input (not shown, typically on the other side or via adapter):** For household power.
10. **Heat Dissipation Area:** Vents for air circulation.

5. SETUP

5.1 Unpacking

Carefully remove the refrigerator from its packaging. Inspect the unit for any signs of damage during transit. Retain the packaging for future storage or transport if needed.

5.2 Placement

Place the refrigerator on a flat, stable surface. Ensure there is sufficient ventilation around the unit, especially around the heat dissipation areas (at least 10 cm clearance on all sides). Avoid placing it in direct sunlight or near heat-emitting appliances.

5.3 Power Connection

The Alpicool C15 can be powered by both DC (12V/24V) and AC (100-240V) power sources.

- **DC Power (Vehicle Use):** Connect the DC power cable to the DC input port on the refrigerator and then to your vehicle's 12V or 24V cigarette lighter socket.
- **AC Power (Household Use):** Connect the AC adapter to the refrigerator's AC input port (if available, or use the DC input with the provided AC-to-DC adapter) and then plug it into a standard 100-240V AC wall outlet.

Ensure the connection is secure before turning on the unit.

6. OPERATING INSTRUCTIONS

6.1 Power On/Off

Press the **Power button** (circle with vertical line) on the control panel to turn the refrigerator On or Off. The digital display will illuminate when the unit is powered on.

6.2 Temperature Adjustment

When the unit is on, the display shows the current internal temperature. To set the desired temperature:

- Press the **+ button** to increase the temperature.
- Press the **- button** to decrease the temperature.

The display will flash the set temperature and then return to showing the actual internal temperature after a few seconds.

6.3 Cooling Mode Setting (ECO/MAX)

The refrigerator has two cooling modes: ECO (Economy) and MAX (Maximum).

- Press the **Setting button** (gear icon) repeatedly to cycle between ECO and MAX modes.
- **ECO Mode:** Energy-saving mode, suitable for maintaining temperature over longer periods.
- **MAX Mode:** Provides faster cooling, ideal for quickly reaching the desired temperature.

6.4 Battery Protection Setting (H/M/L)

This feature protects your vehicle battery from excessive discharge. There are three levels: H (High), M (Medium), and L (Low).

- With the unit on, press and hold the **Setting button** (gear icon) for 3 seconds. The display will show the current battery protection level.
- Press the **Setting button** again to cycle through H, M, and L.
- Release the button to select the desired level.

Recommendation: Set to H for vehicle battery protection, M for most common use, and L for maximum cooling time when connected to a dedicated power source (e.g., portable power station).

6.5 USB Charging Port

The integrated USB port allows you to charge small electronic devices (e.g., smartphones) while the refrigerator is powered on. Simply connect your device's USB cable to the port.

6.6 Multi-Application Use

The Alpicool C15 can function as both a refrigerator and a freezer, depending on the set temperature. Refer to the guide below for typical temperature settings for various items:

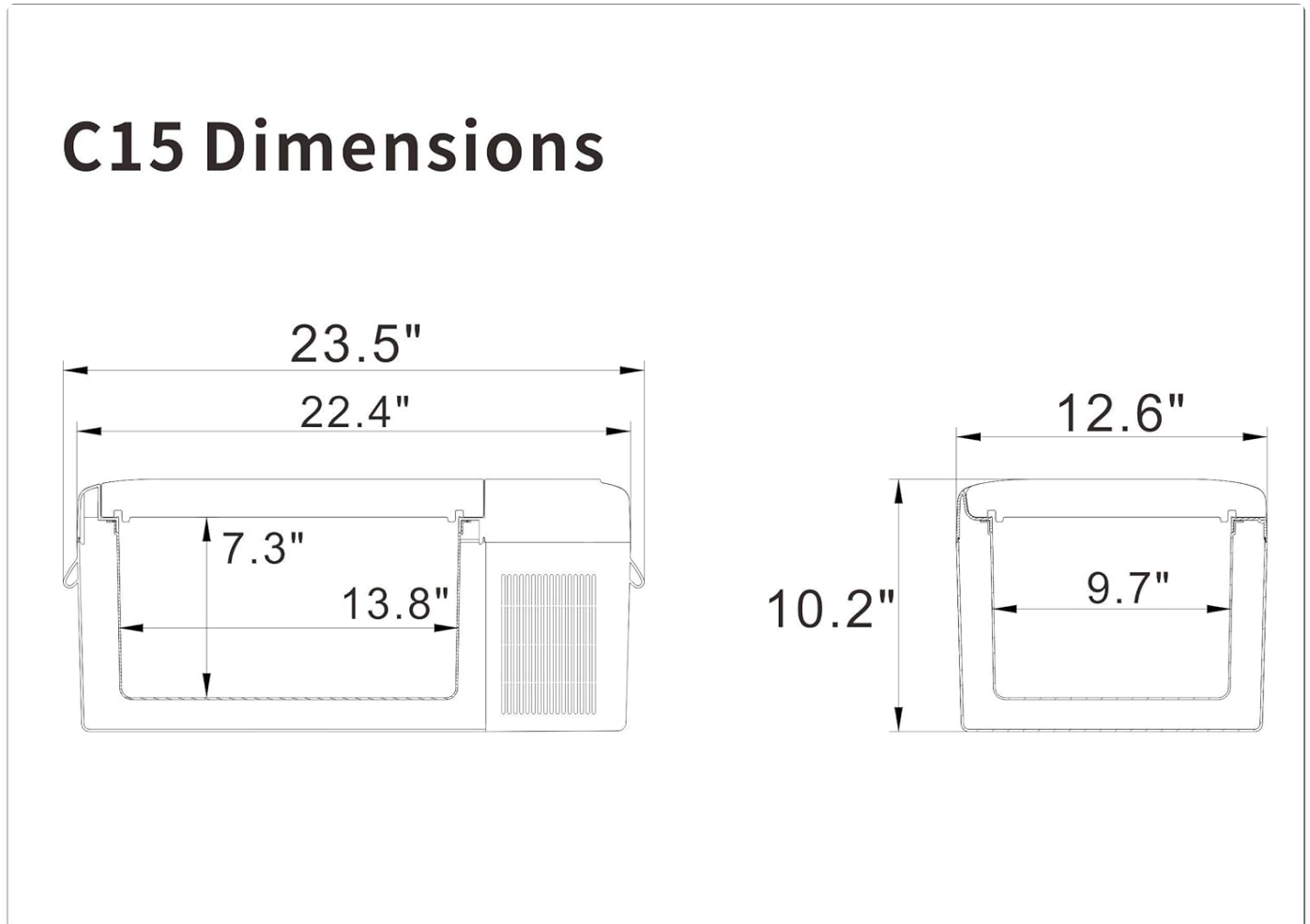


Figure 3: Recommended temperature settings for various items, illustrating the versatility of the Alpicool C15 as both a fridge and freezer. Examples include Fruit (50°F), Seafood (-4°F), Beer (42°F), Ice Cream (0°F), Skin Care (42°F), and Beef (-4°F).

7. MAINTENANCE

7.1 Cleaning

Regular cleaning helps maintain the efficiency and hygiene of your refrigerator:

- Always disconnect the power before cleaning.
- Wipe the interior and exterior surfaces with a damp cloth and a mild detergent.
- Do not use abrasive cleaners, harsh chemicals, or sharp objects, as these can damage the surfaces.
- Ensure the unit is completely dry before reconnecting power.

7.2 Defrosting

Frost may accumulate inside the freezer compartment, especially in humid conditions. Defrost the unit when the frost layer becomes thick (around 5mm or 0.2 inches):

- Turn off the refrigerator and disconnect it from the power source.
- Remove all contents.
- Leave the lid open to allow the frost to melt naturally. You can place a towel inside to absorb water.
- Do not use sharp objects or heating devices to speed up defrosting, as this can damage the unit.
- Once defrosted, wipe the interior dry before restarting.

7.3 Storage

If storing the refrigerator for an extended period:

- Clean and dry the unit thoroughly.
- Leave the lid slightly ajar to prevent odors and mold growth.
- Store in a dry, well-ventilated area, away from direct sunlight and extreme temperatures.

8. TROUBLESHOOTING

Before contacting customer support, please refer to the following common issues and solutions:

Problem	Possible Cause	Solution
Refrigerator not turning on.	No power supply; Loose connection; Blown fuse in vehicle.	Check power cable connection; Ensure power outlet is active; Check vehicle's fuse box.
Refrigerator not cooling sufficiently.	Insufficient ventilation; Door not closed properly; Too much content; High ambient temperature; ECO mode selected.	Ensure proper ventilation; Close lid tightly; Do not overfill; Move to a cooler environment; Switch to MAX mode.
Display shows error code.	Specific internal fault.	Refer to the specific error code in a more detailed service manual or contact customer support. Try restarting the unit.
Excessive noise.	Unit not level; Fan obstruction; Compressor issue.	Place on a level surface; Check for obstructions around fan; If noise persists, contact support.

9. SPECIFICATIONS

Technical specifications for the Alpicool C15 Portable Refrigerator:

- **Model:** C15
- **Capacity:** 15 Liters (approx. 16 Quart)
- **Power Input:** DC 12V/24V; AC 100-240V (via adapter)
- **Temperature Range:** -4°F to 50°F (-20°C to +10°C)
- **Dimensions (L x W x H):** 23.54 x 12.6 x 10.24 inches (59.8 x 32 x 26 cm)



Figure 4: Detailed dimensions of the Alpicool C15, including external measurements and internal depth.

10. WARRANTY AND SUPPORT

For warranty information and customer support, please refer to the warranty card included with your purchase or visit the official Alpicool website. You can also contact the retailer from whom you purchased the product.

Alpicool Official Store: [Visit Alpicool Store on Amazon](#)