

## Manuals+

[Q & A](#) | [Deep Search](#) | [Upload](#)

manuals.plus /

- › [Alpicool](#) /
- › [Alpicool T36 Dual Temperature Control Portable Refrigerator User Manual](#)

## Alpicool ALPFBM

# Alpicool T36 Portable Refrigerator User Manual

Model: ALPFBM

## 1. INTRODUCTION

---

Thank you for choosing the Alpicool T36 Dual Temperature Control Portable Refrigerator. This compact fridge and mini freezer is designed for versatile use with both 12/24V DC and 110-240V AC power inputs, making it ideal for car and home use. With a 38-quart (36-liter) capacity, it offers powerful chilling performance from -4°F (-20°C) to 50°F (10°C) and features a detachable sensor divider for dual temperature control.



Image: The Alpicool T36 portable refrigerator, showcasing its compact design with wheels and handle for easy transport.



Image: An overview of the Alpicool T36's key features, including compressor refrigeration, low voltage protection, mute low noise operation, built-in LED light, wide temperature range (-4°F to 68°F), and anti-shaking design.

## 2. SAFETY INSTRUCTIONS

---

- Read all instructions before operating the appliance.
- Do not operate the appliance if it is damaged.
- Ensure proper ventilation around the unit. Do not block air vents.
- Keep the appliance away from heat sources and direct sunlight.
- Use only the provided power cables.
- Do not immerse the appliance in water.
- Unplug the appliance before cleaning or maintenance.
- This appliance is not intended for use by persons (including children) with reduced physical, sensory or mental capabilities, or lack of experience and knowledge, unless they have been given supervision or instruction concerning use of the appliance by a person responsible for their safety.
- Children should be supervised to ensure that they do not play with the appliance.

## 3. PACKAGE CONTENTS

---

Please check the package contents upon unpacking:

- Alpicool T36 Portable Refrigerator
- 12/24V DC Power Cable (for car use)

- 110-240V AC Power Cable (for home use)
- User Manual (this document)
- Detachable Sensor Divider (pre-installed or separate)
- Internal Basket (pre-installed)

## 4. SETUP

---

### 4.1 Power Connection

The Alpicool T36 can be powered by both DC and AC sources.

- **For Car Use (12/24V DC):** Connect the DC power cable to the refrigerator's DC input port and then to your vehicle's 12V or 24V power outlet (cigarette lighter socket).
- **For Home Use (110-240V AC):** Connect the AC power cable to the refrigerator's AC input port and then to a standard wall outlet.

Ensure the power source matches the voltage requirements of the unit. The unit is also compatible with small solar systems.

### 4.2 Placement

Place the refrigerator on a flat, stable surface. Ensure there is adequate space around the unit for proper ventilation, especially around the air vents.

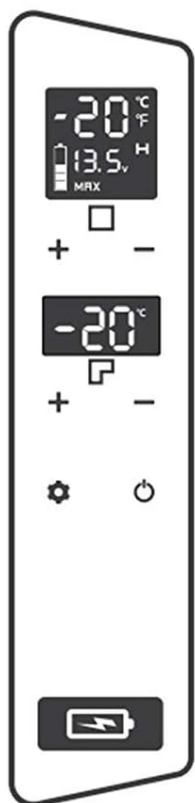
## 5. OPERATING INSTRUCTIONS

---

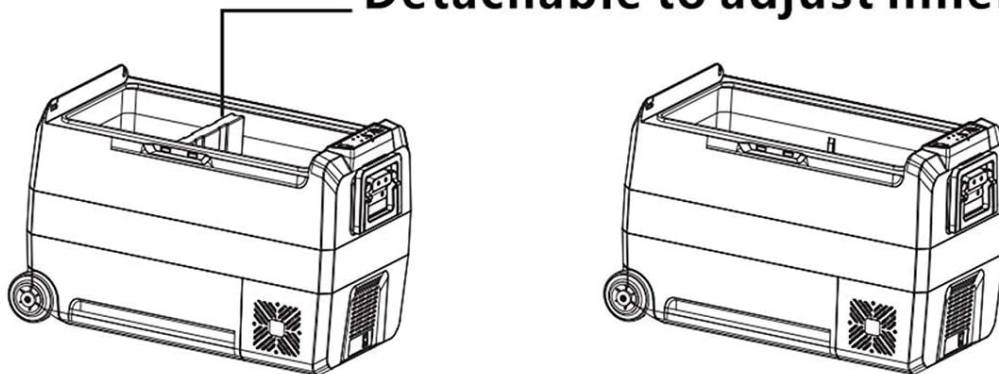
### 5.1 Control Panel Overview

The control panel allows you to adjust settings and monitor the refrigerator's status.

# Operation Description



## Detachable to adjust inner space



- Icons under the screen: □ Left Zone, ▣ Right Zone
- Press upper + - at the same time for three seconds to switch on/off the left zone.
- Lower screen is off after removing the divider (two zones merged) and temperature control can be done by upper screen only.

Image: Diagram illustrating the control panel and the dual temperature zone functionality of the Alpicool T36, showing how the detachable divider creates two separate compartments.

- **Temperature Display:** Shows the current temperature inside the compartments.
- **Temperature Adjustment Buttons (+/-):** Used to increase or decrease the target temperature.
- **Settings Button:** Accesses additional settings.
- **Power Button:** Turns the unit on or off.
- **Battery Icon:** Indicates battery protection level.

## 5.2 Dual Temperature Control

The Alpicool T36 features a detachable sensor divider, allowing you to operate it as a single temperature zone or two independent temperature zones.



Image: An overhead view of the Alpicool T36 interior, clearly showing the removable divider that separates the two compartments, enabling dual temperature control.

- **With Divider:** When the detachable sensor divider is in place, the unit operates as two separate zones. The icons under the screen indicate "Left Zone" and "Right Zone".
- **Switching Zones:** To switch the left zone on/off, press the "upper +" and "-" buttons simultaneously for three seconds.
- **Without Divider (Single Zone):** If the divider is removed, the two zones merge into a single large compartment. The lower screen will turn off, and temperature control will be managed solely by the upper screen.

### 5.3 Temperature Setting

The unit can achieve temperatures from -4°F (-20°C) to 50°F (10°C). Use the "+" and "-" buttons to set your desired temperature for each active zone.

# Multi Application

Can Be a Fridge or Freezer

Fruit  
**50°F**



Seafood  
**-4°F**



Beer  
**42°F**



Ice cream  
**0°F**



Skin care  
**42°F**



Beef  
**-4°F**

Image: A visual guide demonstrating various applications and recommended temperatures for the Alpicool T36, including fruit at 50°F, seafood at -4°F, beer at 42°F, ice cream at 0°F, skin care at 42°F, and beef at -4°F.

Refer to the image above for common temperature recommendations for various items.

## 5.4 Battery Protection

The unit features a multi-level battery protection system to prevent your vehicle battery from draining. You can adjust the protection level (High, Medium, Low) via the settings menu. Refer to the control panel section for details on accessing settings.

## 6. MAINTENANCE

---

### 6.1 Cleaning

- Always unplug the unit before cleaning.
- Clean the interior and exterior with a damp cloth and mild detergent.
- Do not use abrasive cleaners or solvents.
- Ensure the unit is dry before plugging it back in.
- Clean the air vents regularly to ensure proper airflow and cooling efficiency.

### 6.2 Storage

When storing the refrigerator for extended periods, ensure it is clean, dry, and unplugged. Leave the lid slightly ajar to prevent odors and mold growth.

## 7. TROUBLESHOOTING

---

Problem	Possible Cause	Solution
Unit does not turn on.	No power, faulty cable, low voltage.	Check power connection. Ensure power source is active. Adjust battery protection level if in car.
Unit not cooling sufficiently.	Blocked vents, ambient temperature too high, overfilled.	Clear vents. Move to cooler area. Do not overfill. Ensure lid is properly closed.
Display shows error code.	Internal fault.	Refer to specific error code in a more detailed manual (if available) or contact customer support.
Excessive noise.	Unit not level, fan obstruction.	Place on a level surface. Check for obstructions around the fan.

If the problem persists after attempting these solutions, please contact Alpicool customer support.

## 8. SPECIFICATIONS

---

Feature	Specification
Model	ALPFBM (T36)
Capacity	38 Quart (36 Liters)
Exterior Dimensions (L x W x H)	28.46 x 14.17 x 14.49 inches
Item Weight	30.8 pounds

Feature	Specification
Voltage	DC 12V/24V, AC 110-240V
Wattage	60 watts
Temperature Range	-4°F to 50°F (-20°C to 10°C)
Special Features	Portable, Dual Temperature Control, Built-in LED light, Internal basket, Foldable handle, Wheels

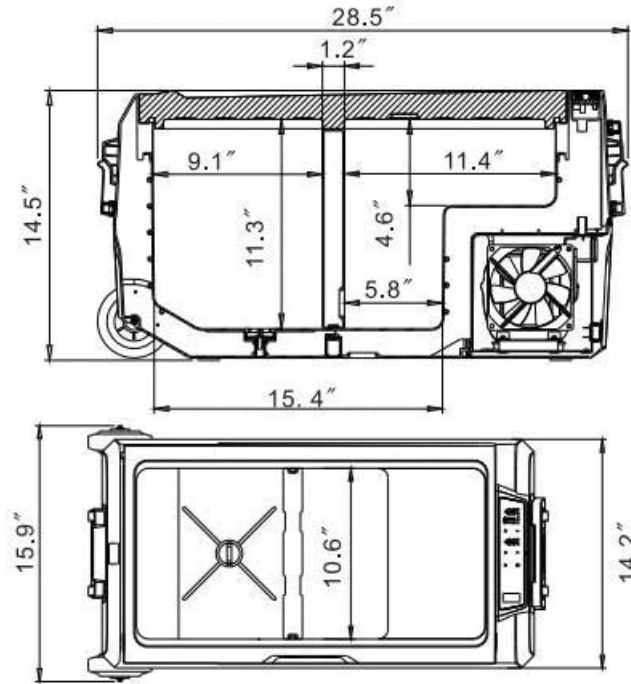


Image: Detailed technical diagram showing the precise dimensions of the Alpicool T36 portable refrigerator, including internal compartment measurements.

## 9. WARRANTY AND SUPPORT

Alpicool products are designed for reliability and performance. For warranty information and customer support, please refer to the warranty card included with your product or visit the official Alpicool website.

You can also visit the [Alpicool Store on Amazon](#) for more information and contact options.