

## Alpicool T60

# Alpicool T60 Portable Refrigerator User Manual

Model: T60 / ALPFBM

## 1. INTRODUCTION

---

This manual provides essential information for the safe and efficient operation of your Alpicool T60 Dual Temperature Control Portable Refrigerator. Please read this manual thoroughly before using the appliance and retain it for future reference.

The Alpicool T60 is a versatile portable refrigerator/freezer designed for various applications, offering dual temperature zones and robust performance for both DC (12/24V) and AC (110-240V) power sources.

## 2. SAFETY INFORMATION

---

**WARNING: Failure to follow these safety instructions may result in fire, electric shock, or injury.**

- Ensure the power supply voltage matches the voltage specified on the appliance's rating label.
- Do not operate the appliance if the power cord is damaged. Contact qualified service personnel for repair.
- Keep ventilation openings clear of obstructions. Ensure adequate airflow around the unit.
- Do not use electrical appliances inside the food storage compartments unless they are of the type recommended by the manufacturer.
- Do not store explosive substances such as aerosol cans with a flammable propellant in this appliance.
- Avoid touching cold surfaces with bare hands, especially when the appliance is operating at freezing temperatures, to prevent frostbite.
- This appliance is not intended for use by persons (including children) with reduced physical, sensory or mental capabilities, or lack of experience and knowledge, unless they have been given supervision or instruction concerning use of the appliance by a person responsible for their safety.
- Children should be supervised to ensure that they do not play with the appliance.
- Disconnect the power supply before cleaning or performing maintenance.

## 3. PRODUCT OVERVIEW

---

The Alpicool T60 portable refrigerator offers a generous 63-quart (60-liter) capacity with a robust design for

portability and efficient cooling.



Figure 3.1: Alpicool T60 Portable Refrigerator, showing its compact design with wheels and handle for easy transport.



Figure 3.2: Key features of the Alpicool T60, including compressor refrigeration, low voltage protection, mute low noise operation, built-in LED light, wide temperature range, and anti-shaking design.

## Key Features:

- **Storage Space:** 63 Quart (60 Liter) capacity, capable of holding approximately 75 x 12oz cans.
- **Dual Temperature Control:** Features a detachable sensor divider to switch between a single temperature zone or two independent temperature zones.
- **Wide Temperature Range:** Capable of chilling from -4°F (-20°C) to 50°F (10°C), allowing use as both a refrigerator and a freezer.
- **Car Battery Protection:** Equipped with a temperature memory function and three battery protection levels (Low, Med, High) to prevent vehicle battery drain.
- **User-Friendly Design:** Includes foldable handles and wheels for easy transport, a drain plug for convenient cleaning, and a built-in LED light for visibility.

## 4. SETUP

---

### 4.1 Unpacking and Placement

1. Carefully remove the refrigerator from its packaging.
2. Place the unit on a flat, stable surface. Ensure there is adequate ventilation around the appliance (at least 4 inches or 10 cm of space on all sides).
3. Before first use, it is recommended to let the unit stand upright for at least 6 hours to allow the refrigerant to settle.



Figure 4.1: The Alpicool T60 with its lid open, revealing the internal compartments. The divider can be seen in place, separating the two zones.



Figure 4.2: A closer view of the Alpicool T60's interior, showing the removable wire baskets and the central divider that enables dual-zone temperature control.

## 4.2 Power Connection

The Alpicool T60 can be powered by both DC and AC sources:

- **DC Power (12/24V):** Connect the DC power cord to the refrigerator's DC input port and then to your vehicle's 12V or 24V power outlet (cigarette lighter socket).
- **AC Power (110-240V):** Connect the AC adapter to the refrigerator's AC input port, and then plug the AC power cord into a standard wall outlet.

Ensure the power connection is secure before turning on the unit.

## 5. OPERATING INSTRUCTIONS

---

# Operation Description

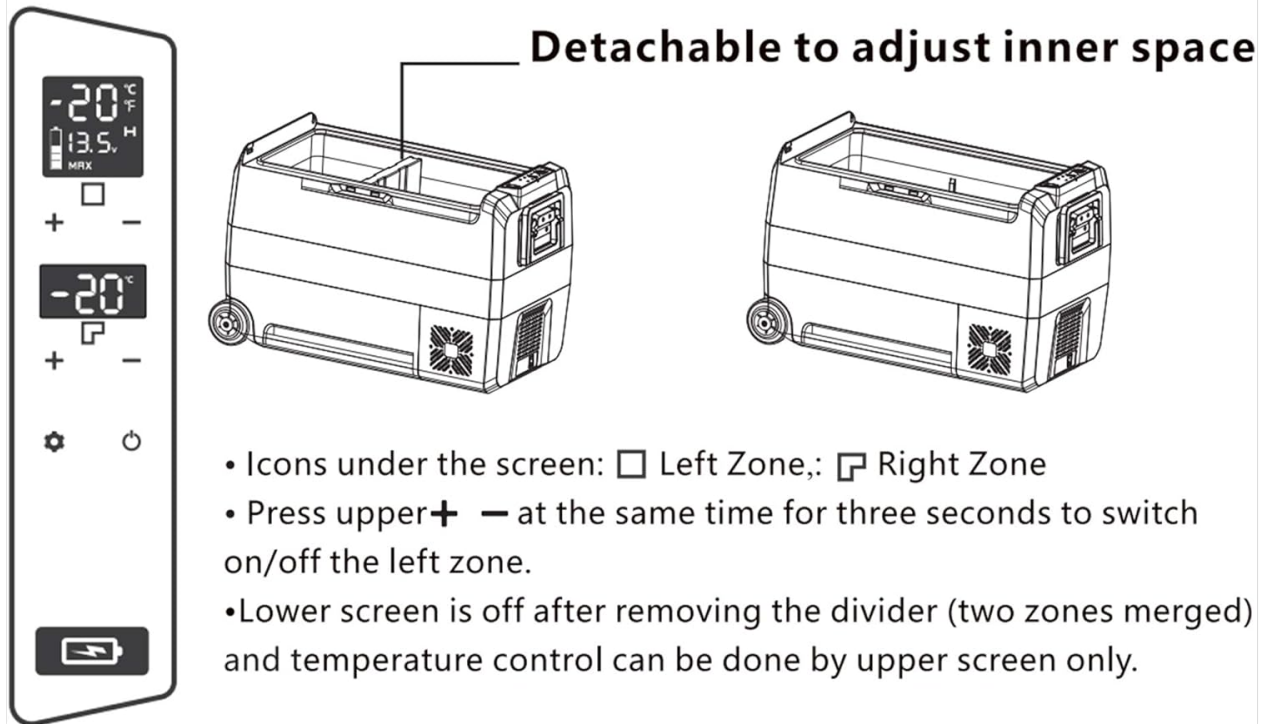


Figure 5.1: Control panel and dual-zone configuration of the Alpicool T60. The image illustrates how the detachable divider allows for single or dual temperature zones, and the corresponding control icons.

## 5.1 Control Panel Overview

The control panel typically includes:

- **Power Button:** To turn the unit on/off.
- **Set Button:** To enter temperature setting mode or switch between zones.
- **Up (+) / Down (-) Buttons:** To adjust temperature or settings.
- **Display Screen:** Shows current temperature and settings.

## 5.2 Temperature Setting

1. Press the Power button to turn on the refrigerator.
2. Press the Set button to select the desired temperature zone (if applicable).
3. Use the Up (+) or Down (-) buttons to adjust the temperature. The display will flash while adjusting and then stabilize to the current temperature.

## 5.3 Dual Temperature Zone Operation

The T60 features a detachable sensor divider to create two independent temperature zones. Refer to Figure 5.1 for visual guidance.

- **To activate dual zones:** Ensure the divider is correctly installed. The control panel will show two separate temperature displays (Left Zone and Right Zone).
- **To switch between zones:** Press the Set button to toggle between the left and right zone temperature adjustments.

- **To merge zones (single temperature):** Remove the detachable divider. The lower screen will turn off, and temperature control will be managed by the upper screen only, applying to the entire internal space.
- **To switch on/off the left zone:** Press the Up (+) and Down (-) buttons simultaneously for three seconds.

# Multi Application

Can Be a Fridge or Freezer

Fruit  
**50°F**



Seafood  
**-4°F**



Beer  
**42°F**



Ice cream  
**0°F**



Skin care  
**42°F**



Beef  
**-4°F**

Figure 5.2: Examples of optimal temperatures for various items within the Alpicool T60, demonstrating its versatility for fruit, seafood, beer, ice cream, skin care products, and beef.

## 5.4 Car Battery Protection Setting

This feature prevents your vehicle's battery from being completely drained by the refrigerator.

1. With the unit on, press and hold the Set button for three seconds until the display flashes.
2. Press the Set button repeatedly to cycle through the battery protection levels: H (High), M (Medium), L (Low).
3. Release the Set button to confirm your selection. The display will stop flashing.

**Note:** The specific voltage cut-off points for H, M, and L settings are designed to protect your battery. Consult the manufacturer's official documentation or support for precise voltage values if needed.

## 6. MAINTENANCE

---

### 6.1 Cleaning

- Always disconnect the power supply before cleaning.
- Clean the interior and exterior surfaces with a damp cloth and a mild detergent. Avoid abrasive cleaners or solvents.
- For thorough cleaning, the drain plug can be opened to remove any liquids.
- Ensure all parts are dry before reconnecting power.

### 6.2 Storage

- If storing the refrigerator for an extended period, ensure it is clean and dry.
- Leave the lid slightly ajar to prevent odors and mold growth.
- Store in a dry, well-ventilated area, away from direct sunlight and extreme temperatures.

## 7. TROUBLESHOOTING

---

If you encounter issues with your Alpicool T60, please refer to the following common problems and solutions:

Problem	Possible Cause	Solution
Refrigerator not turning on	No power supply; Damaged power cord; Blown fuse in vehicle.	Check power connection; Try a different power outlet; Inspect power cord for damage; Check vehicle's fuse box.
Unit not cooling sufficiently	Temperature setting too high; Poor ventilation; Overloaded with warm items; Lid not closed properly; Ambient temperature too high.	Lower temperature setting; Ensure adequate space around unit; Allow time for cooling; Close lid securely; Operate in a cooler environment if possible.
Display shows error code	Internal fault (e.g., sensor error, compressor issue).	Disconnect power for 5 minutes and restart. If error persists, contact customer support.
Excessive noise	Unit not level; Fan obstruction; Compressor issue.	Ensure unit is on a flat surface; Check for debris near fan; If noise is unusual or loud, contact support.

If the problem persists after attempting these solutions, please contact Alpicool customer support for further assistance.

## 8. SPECIFICATIONS

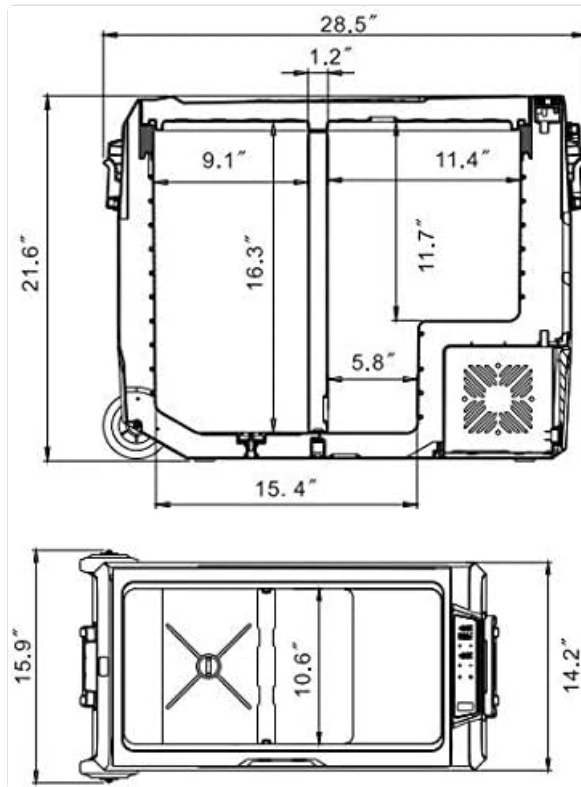


Figure 8.1: Technical diagram showing the dimensions of the Alpicool T60 Portable Refrigerator, including external measurements and internal compartment sizes.

Specification	Value
Model	T60 / ALPFBM
Capacity	60 Liters (63 Quart)
External Dimensions (L x W x H)	28.46 x 14.17 x 21.57 inches (72.3 x 36 x 54.8 cm)
Item Weight	37.4 pounds (17 kg)
Voltage	DC 12V/24V, AC 110-240V
Wattage	60 watts
Temperature Range	-4°F to 50°F (-20°C to 10°C)
Installation Type	Plug In
Number of Doors	1
Special Feature	Portable, Dual Temperature Control

## 9. WARRANTY AND SUPPORT

For warranty information, product registration, or technical support, please refer to the official Alpicool website

or contact their customer service directly. Keep your purchase receipt as proof of purchase for any warranty claims.

Please note that contact information and warranty terms may vary and are subject to change by the manufacturer. Always refer to the most current information provided by Alpicool.

© 2023 Alpicool. All rights reserved.