



[Manuals.plus](#) /

> [SONGMICS](#) /

> SONGMICS LSD14BK Electric Standing Desk Frame User Manual

SONGMICS LSD14BK

SONGMICS LSD14BK Electric Standing Desk Frame User Manual

Model: LSD14BK | Brand: SONGMICS

INTRODUCTION

Thank you for choosing the SONGMICS LSD14BK Electric Standing Desk Frame. This manual provides essential information for the safe assembly, operation, and maintenance of your new desk frame. Please read it thoroughly before use and retain it for future reference.



Image: The black electric standing desk frame, showing the dual leg design and control panel.

IMPORTANT SAFETY INSTRUCTIONS

- Ensure the desk frame is not obstructed during lifting and lowering operations.
- Do not place the desk directly against a wall, as this may impede movement or cause damage.
- This product is intended for indoor use only.
- Keep all electrical components away from liquids to prevent electric shock or damage.
- Operate the product for a maximum of 2 minutes continuously. After this period, allow the desk frame to rest for 18 minutes to prevent motor damage.
- Do not disassemble any parts of this product without expert advice.
- Do not place heavy objects exceeding the maximum load capacity of 120 kg (264 lbs) on the product.
- Avoid using power outlets or adapters with excessively high voltage.

PACKAGE CONTENTS

Before assembly, please verify that all components listed below are present and undamaged:

- 1 x Electric Desk Frame (with dual motors)
- 1 x Adapter
- 1 x Remote Control (Control Panel)
- 1 x Accessory Pack (screws, tools, etc.)
- 1 x User Manual (DE, EN, IT, ES, FR)

SETUP AND ASSEMBLY

Assembly of the SONGMICS LSD14BK desk frame is designed to be straightforward. Follow the detailed instructions provided in the included accessory pack's manual. Ensure you have adequate space and assistance if needed.

Key Assembly Considerations:

- **Tabletop Compatibility:** This frame is adjustable in length (108-180 cm) to accommodate tabletops between 120-180 cm long and 60-80 cm wide.
- **Secure Fastening:** Ensure all screws are tightened securely, but do not overtighten.
- **Cable Management:** Plan for cable routing to avoid interference with the desk's movement.

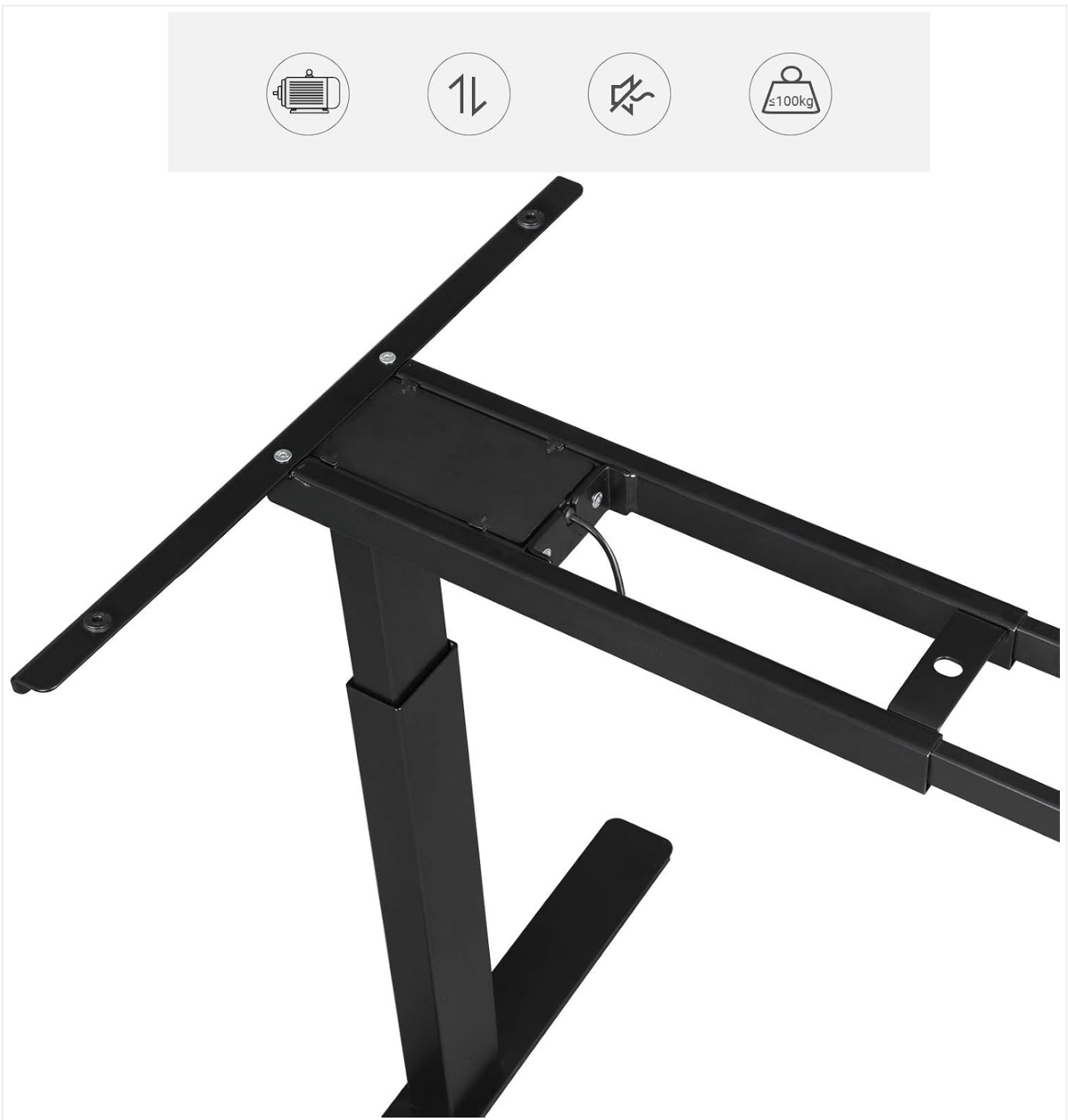


Image: Underside view of the desk frame, illustrating the adjustable width mechanism to fit various tabletops.



Image: A diagram illustrating the adjustable dimensions of the desk frame, including height (70-118 cm) and width (108-180 cm).

OPERATING INSTRUCTIONS

The SONGMICS LSD14BK desk frame features intuitive controls for height adjustment and memory presets.

Control Panel Functions:



Image: A close-up view of the desk's control panel, showing the up and down arrow buttons, and four memory preset buttons (1, 2, 3, 4) along with a 'M' button.

- 1. Adjusting Height:** Use the **Up (▲)** and **Down (▼)** arrow buttons to smoothly adjust the desk height between 70 cm and 118 cm.
- 2. Setting Memory Presets:**
 - Adjust the desk to your desired height.
 - Press the **'M'** button. The display will flash.
 - Press one of the numbered preset buttons (**1, 2, 3, or 4**) within 3 seconds to save the current height to that position.
 - The display will show 'S-' followed by the number, confirming the preset is saved.
- 3. Recalling Memory Presets:** Press any of the numbered preset buttons (**1, 2, 3, or 4**) to automatically move the desk to the saved height.

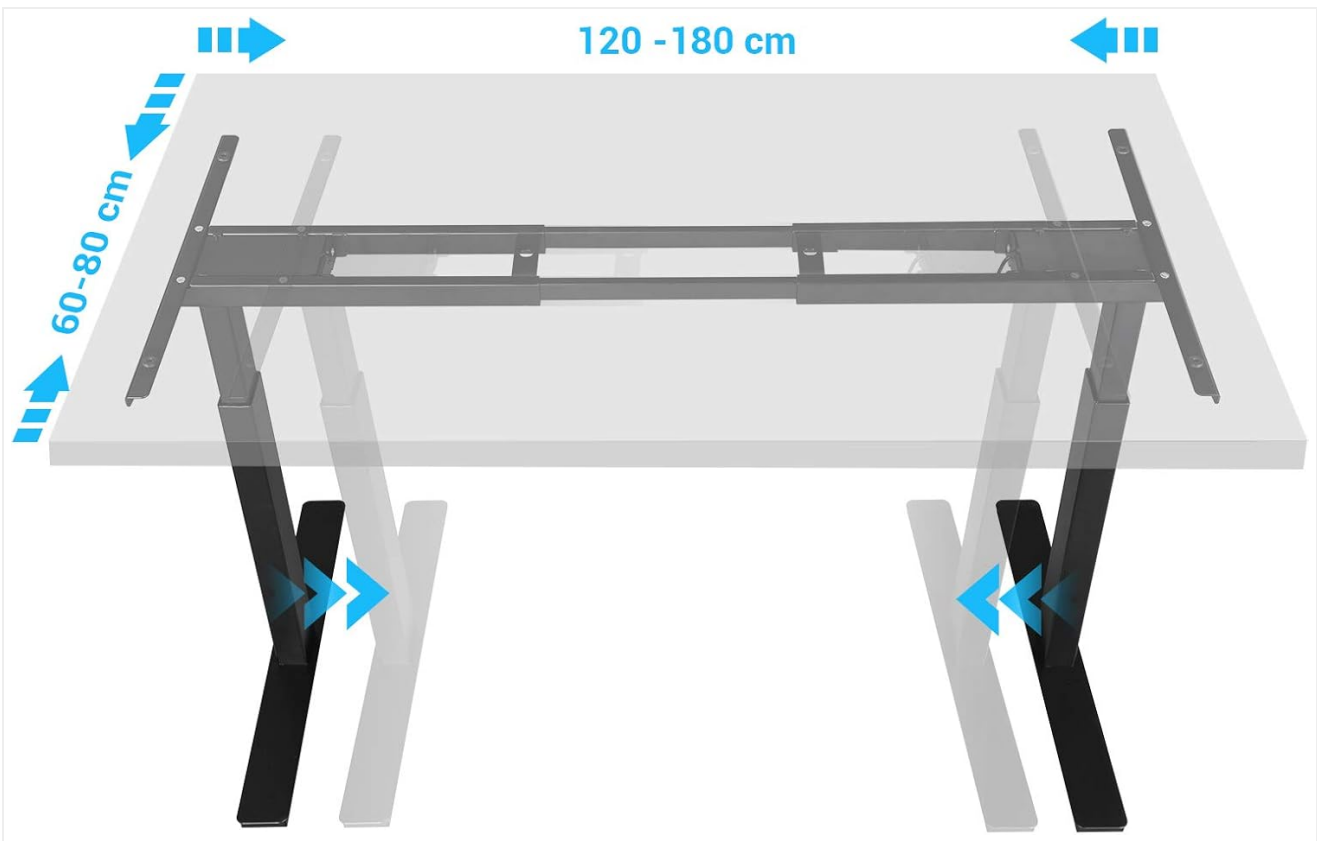


Image: An illustration demonstrating the ergonomic benefits of the adjustable height desk, showing a person comfortably working both standing (118 cm) and sitting (70 cm).

MAINTENANCE AND CARE

Regular maintenance ensures the longevity and optimal performance of your desk frame.

- **Cleaning:** Wipe the frame with a soft, damp cloth. Avoid abrasive cleaners or solvents that could damage the finish.
- **Electrical Components:** Ensure all electrical connections are secure and free from damage. Do not expose the control panel or motors to water.
- **Movement Check:** Periodically check that the desk moves smoothly and quietly. If you notice any unusual sounds or resistance, refer to the troubleshooting section.
- **Weight Distribution:** Distribute weight evenly on the tabletop to prevent strain on the motors and frame.

TROUBLESHOOTING

If you encounter issues with your desk frame, consult the following common problems and solutions:

Problem	Possible Cause	Solution
Desk does not move.	Power cable disconnected, overload, motor overheating.	Check power connections. Reduce weight on desk. Allow motors to cool down (wait 18 minutes after 2 minutes of continuous use).
Uneven movement or strange noises.	Loose connections, obstruction, uneven weight distribution.	Check all screws and connections. Remove any obstructions. Redistribute weight evenly.

Problem	Possible Cause	Solution
Memory presets not working.	Incorrect saving procedure.	Refer to the "Setting Memory Presets" section in Operating Instructions and try again.

If the problem persists, please contact customer support. Do not attempt to repair the electrical components yourself.

PRODUCT SPECIFICATIONS

Feature	Detail
Model Number	LSD14BK
Brand	SONGMICS
Material	Steel
Height Adjustment Range	70 - 118 cm (27.6 - 46.5 inches)
Adjustable Frame Length	108 - 180 cm (42.5 - 70.9 inches)
Recommended Tabletop Length	120 - 180 cm (47.2 - 70.9 inches)
Recommended Tabletop Width	60 - 80 cm (23.6 - 31.5 inches)
Maximum Static Load Capacity	120 kg (264 lbs)
Motor Type	Dual Motor
Adjustment Speed	32 mm/s
Noise Level	<50 dB
Product Weight	27 kg (59.5 lbs)

WARRANTY AND CUSTOMER SUPPORT

For warranty information, please refer to the documentation included with your purchase or contact your retailer. If you require further assistance, have questions, or need to report a problem, please contact SONGMICS customer support. You can find more information and contact details on the official SONGMICS website: [SONGMICS Official Store](#).