

Manuals+

[Q & A](#) | [Deep Search](#) | [Upload](#)

manuals.plus /

> [DTK](#) /

> [DTK Replacement Battery for Dyson V11 Series Vacuum Cleaners \(Button Click-in Style\)](#)

DTK V11

DTK Replacement Battery for Dyson V11 Series Vacuum Cleaners (Button Click-in Style)

Model: V11 | Brand: DTK

1. INTRODUCTION

This manual provides essential information and instructions for the installation, operation, and maintenance of your DTK replacement battery for Dyson V11 series vacuum cleaners. Please read this manual thoroughly before use to ensure proper function and safety.



Image 1: DTK Replacement Battery for Dyson V11 Series.

2. COMPATIBILITY

The DTK replacement battery is designed for Dyson V11 series vacuum cleaners that feature a **button click-in installation style**. It is compatible with the following models:

- Dyson SV15
- Dyson SV16
- Dyson SV22
- Dyson V11 (Button installation models, released Spring 2020 onwards)
- Part Numbers: 970425-01, 970938-01

Important Note:

This battery is NOT compatible with Dyson V11 models that use a screw-in installation style (e.g., V11 SV14 screw-in type). Please verify your vacuum cleaner's battery installation method before purchase and installation.

Please note:

There are two types of V11-----1. Screw installation model; 2. Button installation model.

This product is for **Button installation model**.

The comparison diagram is as follows.



Replacement for:

Dyson V11 / SV14 screw installation model (not suitable for Dyson button installation model SV15 / SV16)

↑ ↑ screw hole



Replacement for:

V11 / V15 / SV15 / SV16 / SV22 Dyson button installation, does not support V11 / SV14 screw installation model

↑ Button

Image 2: Visual comparison of compatible button click-in battery style versus incompatible screw-in style.

Only compatible with **V11**, series

not compatible with V6,V7,V8,V10 series



For Dyson V11 Vacuum series Only ✓

V11 Absolute V11 Animal V11 Fluffy Extra V11 Motorhead

V11 Cord-free V11 Trigger V11 Matress

and more v11 series

Reminder

Not for V6,V7 series

Reminder

Not for V8,V10 series

Image 3: Illustration of various Dyson V11 series models compatible with the button click-in battery.

3. FEATURES

- **High Capacity:** 6000 mAh (Milliampere-hour) for extended run time.
- **Voltage:** 25.2 V.
- **Battery Type:** Lithium-ion.
- **Enhanced Durability:** Designed for longer duration compared to standard batteries.
- **Safety Protections:** Includes overload protection, over current protection, short circuit protection, and high temperature protection to ensure safe operation.

- **Perfect Fit:** Matches the size and function of the original battery, ensuring compatibility with your Dyson V11 machine and original charger.



Same size Larger capacity

Other battery
3000mAh

DTK Battery pour Dyson V11 Series
6000mAh

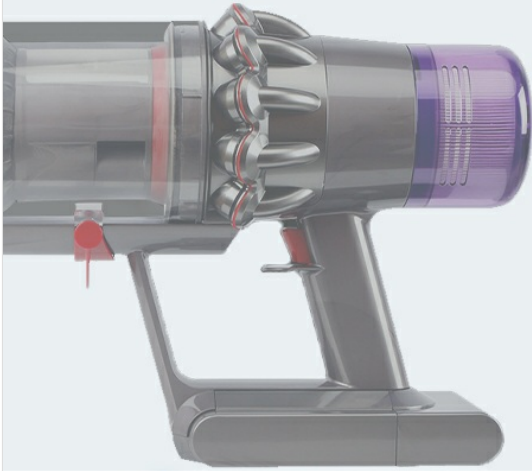


Li-ion Cell Type	25.2V Voltage	6.0Ah Capacity
---------------------	------------------	-------------------

 **FC** **CE**

Image 4: Comparison highlighting the 6000mAh capacity of the DTK battery.

Only compatible with **click-in** V11 battery Series



Compatible avec:



V11 Absolute



V11 Animal



V11 Fluffy



V11 Motorhead



V11 Cord-free



V11 Trigger



V11 Matress

Only compatible with **click-in** V11 battery



Reminder

Only compatible with **click-in** V11 battery
not fit for screw mounting V11 series



Click in V11



Series V6,V7



Series V8,V10

Image 5: Visual representation of the multiple safety features integrated into the battery design.

V11 battery details show

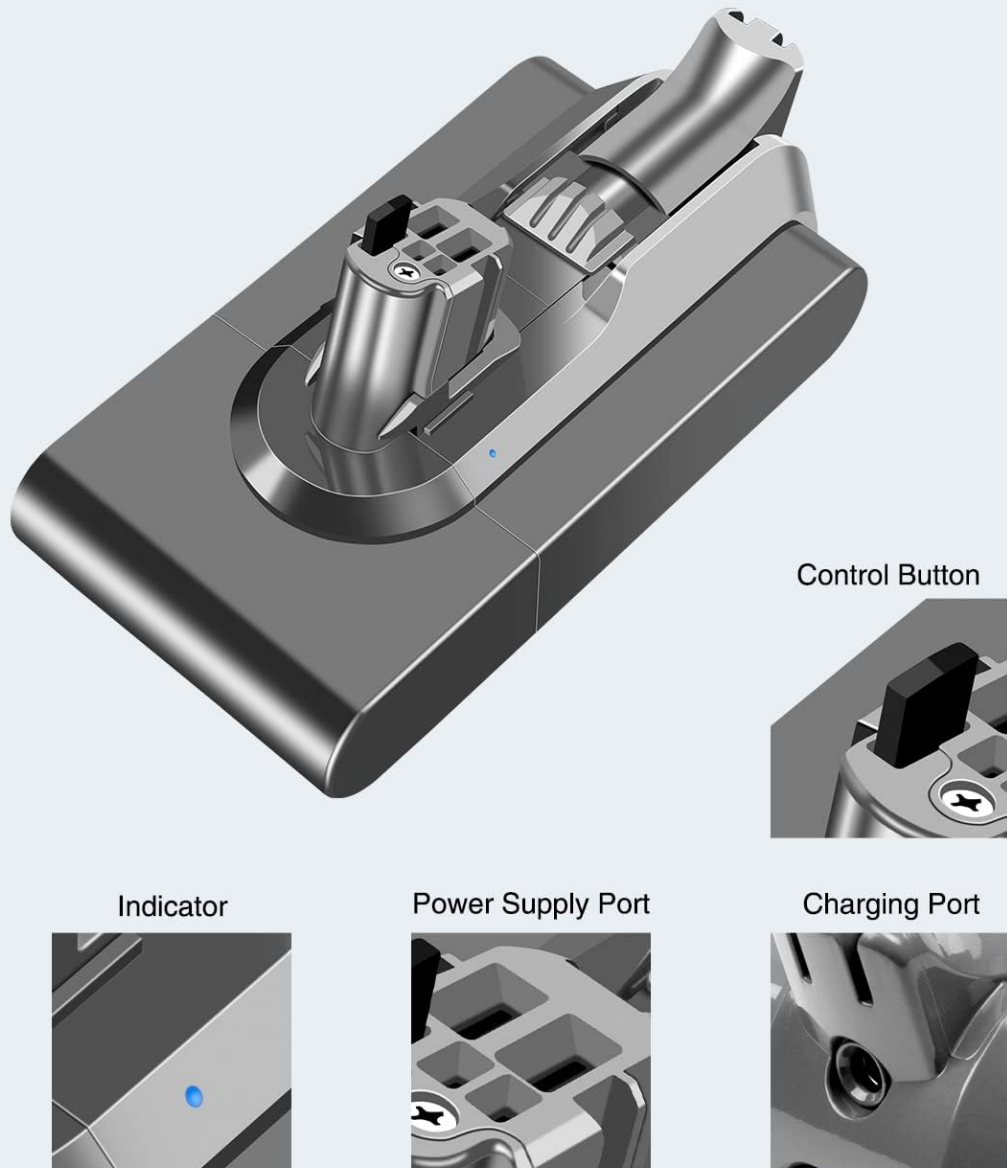


Image 6: Detailed view of the battery's components, including ports and indicator lights.

4. SETUP AND INSTALLATION

Follow these steps to replace your Dyson V11 vacuum cleaner battery:

1. **Remove the Old Battery:** Locate the red button on the bottom of your existing Dyson V11 battery. Press this button to release the old battery from the vacuum cleaner.
2. **Install the New Battery:** Align the new DTK replacement battery with the slot on your Dyson V11 vacuum cleaner. Push the battery firmly into place until it clicks securely.

The new battery is designed to fit perfectly and function seamlessly with your Dyson V11 machine.

Your browser does not support the video tag.

Video 1: Demonstration of battery installation for Dyson V11 SV15 SV16.

Your browser does not support the video tag.

Video 2: Step-by-step guide on replacing the battery for Dyson V11.

Your browser does not support the video tag.

Video 3: Quick guide to V11 battery replacement for Dyson V15 Click-in Type.

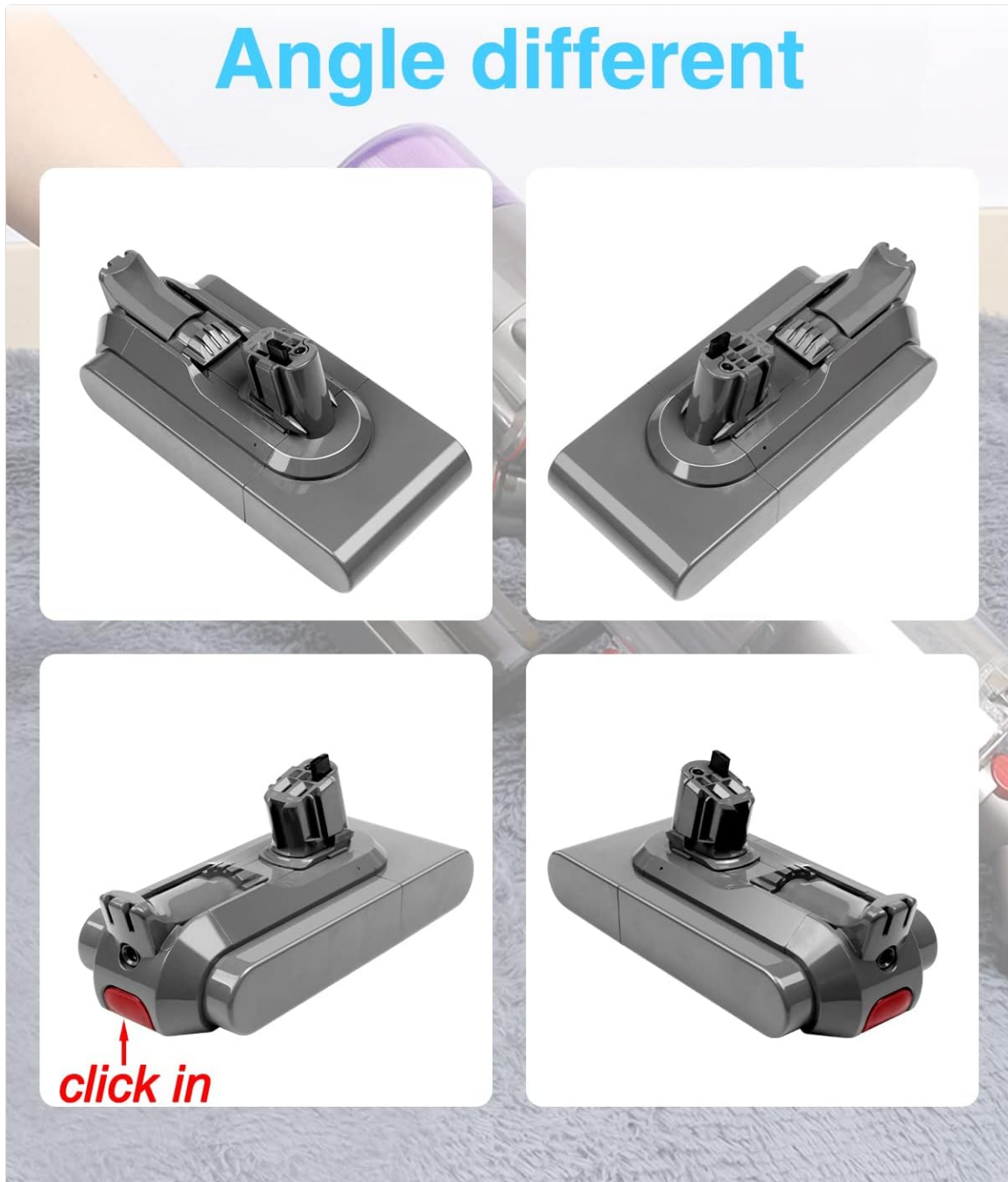


Image 7: The DTK battery seamlessly integrating with the Dyson V11 vacuum cleaner.

5. OPERATING

Once the DTK replacement battery is installed, operate your Dyson V11 vacuum cleaner as usual. The battery indicator lights on your vacuum will function normally, displaying the charge status.

- **Steady Blue Light:** Indicates the battery is currently charging.
- **Light Off:** Indicates charging is complete.

- **Quickly Flashing Light:** Indicates a charging error.

6. MAINTENANCE

To maximize the lifespan and performance of your DTK replacement battery and Dyson V11 vacuum cleaner, observe the following maintenance guidelines:

- **Battery Cooling:** Always allow the battery to cool down before recharging it and before using it after charging. This helps prevent overheating and prolongs battery life.
- **Filter Replacement:** The product includes a replacement filter. Regularly check and replace your vacuum's filter to maintain optimal suction and air quality.



Image 8: A new filter and battery ready for installation to refresh your vacuum cleaner.

7. TROUBLESHOOTING

If your vacuum cleaner experiences a "No Power" issue after installing the new battery, consider the following:

- **Check Battery Charge:** Ensure the battery has sufficient charge. Refer to the operating section for LED indicator meanings.
- **Inspect Battery Casing:** Verify that the battery casing is not cracked or damaged.
- **Clear Airway Blockages:** Make sure the vacuum machine's airway is not blocked, as this can affect performance and power delivery.

8. SPECIFICATIONS

Feature	Detail
Brand	DTK
Model Number	V11
Battery Capacity	6000 Milliampere Hour (mAh)
Voltage	25.2V
Battery Cell Composition	Lithium Ion
Item Weight	15.8 ounces
Recommended Uses	Vacuum Cleaner

9. WARRANTY AND SUPPORT

Your DTK V11 Replacement Battery comes with a **30-day money-back guarantee** and a **12-month limited warranty**.

For any questions, concerns, or support needs, please contact us through the "Your Orders" tab in your Amazon account. We aim to respond within 24 hours and provide a satisfactory solution.