

[Manuals.plus](#) /

> [Cornat](#) /

> Cornat Flexible Odor Trap for Sink, 1 1/2 Inch x 40 mm, Model T353304R

Cornat T353304R

Cornat Flexible Odor Trap for Sink, 1 1/2 Inch x 40 mm, Model T353304R

Instruction Manual

INTRODUCTION

This manual provides detailed instructions for the installation, operation, and maintenance of your Cornat Flexible Odor Trap. This product is designed to connect standard sinks to the wastewater drainage system, effectively preventing unpleasant odors from entering your kitchen. It features a flexible wall connection hose and an adjustable drain connection for various appliances. Manufactured in Germany from recycled plastic, it represents a sustainable and high-quality plumbing solution.

Key Features:

- Connects standard sinks to the wastewater system.
- Prevents unpleasant odors.
- Includes a flexible wall connection hose.
- Adjustable drain connection for washing machines or dishwashers.
- Made from recycled plastic, offering environmental benefits.
- 100% recyclable packaging.
- Manufactured in Germany.

PACKAGE CONTENTS

Before beginning installation, please verify that all components are present:

- 1x Plunger tube
- 1x 45° angled hose connector
- 1x Odor trap (siphon)
- 1x Flexible outlet hose
- Various gaskets and nuts



Figure 1: Exploded view of the Cornat Flexible Odor Trap components, showing the plunger tube, angled connector, siphon, flexible hose, and various gaskets and nuts.

SETUP AND INSTALLATION

Follow these steps for proper installation of the Cornat Flexible Odor Trap:

1. **Preparation:** Ensure the water supply to the sink is turned off. Place a bucket or container under the existing drain to catch any residual water.

2. **Remove Old Siphon (if applicable):** Carefully disconnect and remove the old siphon and drain components.
3. **Assemble Components:** Refer to Figure 1 for the arrangement of parts. Connect the plunger tube to the sink drain opening using the appropriate gasket and nut. Ensure a tight seal.
4. **Connect Odor Trap:** Attach the main odor trap (siphon) body to the plunger tube.
5. **Attach Flexible Outlet Hose:** Connect the flexible outlet hose to the odor trap. This hose can be bent and shaped to fit your specific drainage configuration.
6. **Connect to Wall Drain:** Insert the flexible outlet hose into the wall drain pipe. You may need to cut the hose to the appropriate length for a secure fit.
7. **Appliance Connection (Optional):** If connecting a washing machine or dishwasher, use the integrated appliance connection point (19-23 mm diameter). Secure the appliance's drain hose to this connection.
8. **Tighten Connections:** Hand-tighten all nuts and connections. Avoid over-tightening, which can damage plastic components. The gaskets should provide a secure, leak-free seal.
9. **Test for Leaks:** Turn on the water supply to the sink and run water for several minutes. Carefully inspect all connections for any signs of leaks. If leaks are detected, gently tighten the affected connections.

Anschlussmöglichkeit

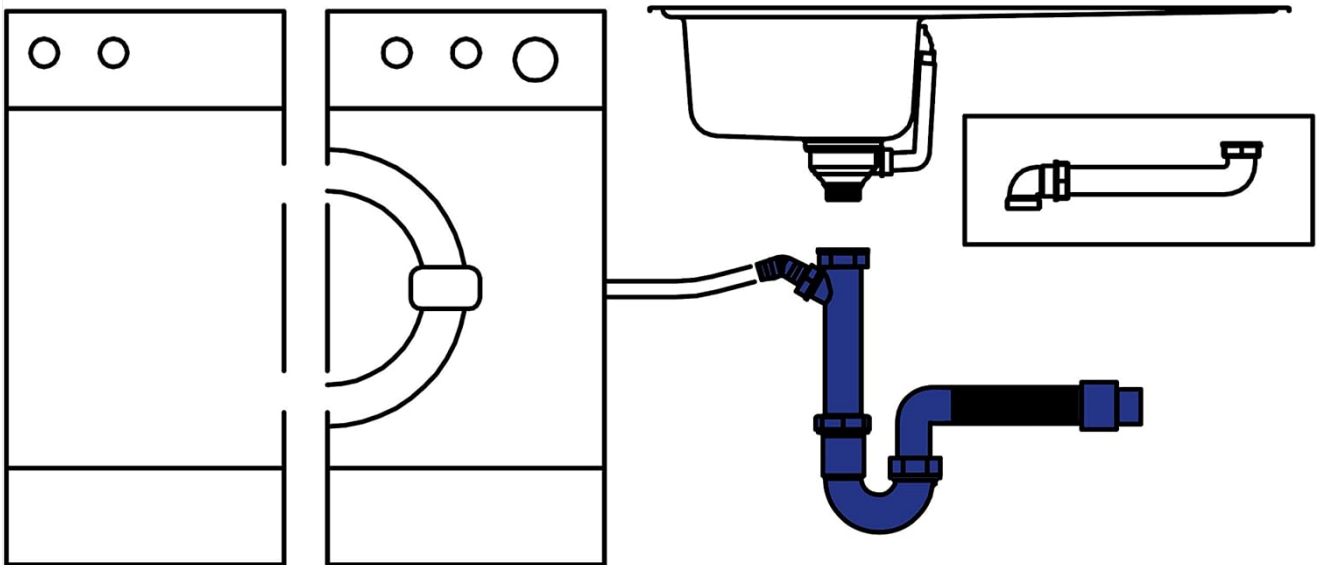


Figure 2: Diagram illustrating typical connection possibilities, including the sink drain and an optional appliance connection for a washing machine or dishwasher.





Figure 3: The Cornat Flexible Odor Trap fully assembled, ready for installation under a sink.

OPERATING PRINCIPLES

The Cornat Flexible Odor Trap functions by creating a water seal (liquid blockage) within its U-bend section. This water barrier prevents sewer gases and unpleasant odors from rising through the drain and entering your living space. When water flows from the sink, it replenishes this water seal, ensuring continuous odor protection. The flexible design allows for adaptable installation in various under-sink configurations.

MAINTENANCE

Regular maintenance ensures optimal performance and longevity of your odor trap:

- **Self-Cleaning:** The trap is designed for a degree of self-cleaning through regular water replacement when the faucet is used. This helps flush out small debris.
- **Manual Cleaning:** For more thorough cleaning or to remove blockages, the odor trap can be easily disassembled by unscrewing the connections. Clean any accumulated debris from the internal surfaces and then reassemble, ensuring all gaskets are correctly seated for a leak-free seal.
- **Avoid Harsh Chemicals:** Do not use strong chemical drain cleaners, as these can potentially damage the plastic components or gaskets over time.

TROUBLESHOOTING

If you encounter issues with your Cornat Flexible Odor Trap, consider the following:

- **Leaks:**
 - Check all threaded connections to ensure they are hand-tight.
 - Verify that all gaskets are properly seated and not damaged. Replace any worn or damaged gaskets.
- **Unpleasant Odors:**
 - Ensure the water seal in the trap is not dry. Run water for a minute to replenish it.
 - Check for blockages in the trap or drain pipe that might be causing stagnant water or preventing the water seal from forming correctly. Perform manual cleaning as described in the Maintenance section.
 - Confirm that the appliance connection (if used) is properly sealed and not allowing sewer gases to escape.
- **Slow Drainage:**
 - A blockage is likely. Disassemble the trap and clean out any accumulated debris (food particles, hair, grease).
 - Check the sink stopper or strainer for obstructions.

SPECIFICATIONS

Brand:	Cornat
Model Number:	T353304R
Color:	Grey
Material:	Recycled Plastic
Connection (Inlet):	1 1/2 inches
Outlet Diameter:	Ø 40/50 mm

Appliance Connection:	19-23 mm
Product Dimensions (L x W x H):	29.5 x 50 x 6 cm
Item Weight:	270 grams
Country of Origin:	Germany

Produkt-Abmessungen

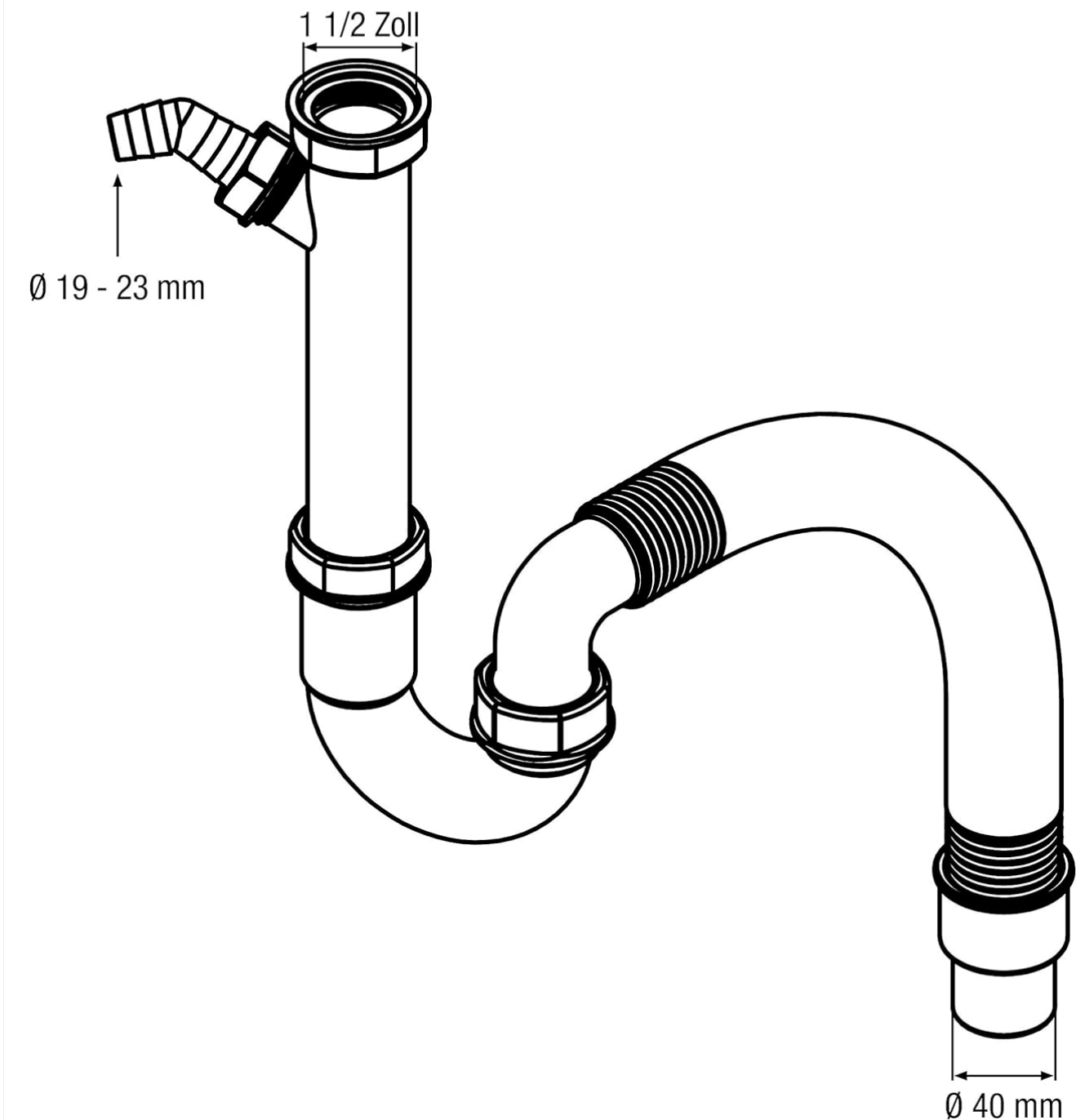


Figure 4: Dimensional diagram of the odor trap, indicating the 1 1/2 inch inlet, 19-23 mm appliance connection, and 40 mm outlet diameter.

ENVIRONMENTAL INFORMATION

This Cornat product is manufactured with a commitment to environmental sustainability:

- **Recycled Material:** Made from recycled plastics, reducing the demand for new plastic granules and minimizing environmental impact.
- **Recyclable Packaging:** The product packaging is 100% recyclable. Please dispose of it responsibly according to local regulations.
- **Blue Angel Certified:** This product is certified with the Blue Angel eco-label, indicating high environmental standards.

➔ Wer verwertet, der gewinnt

Innovative Produkte für eine saubere Umwelt!

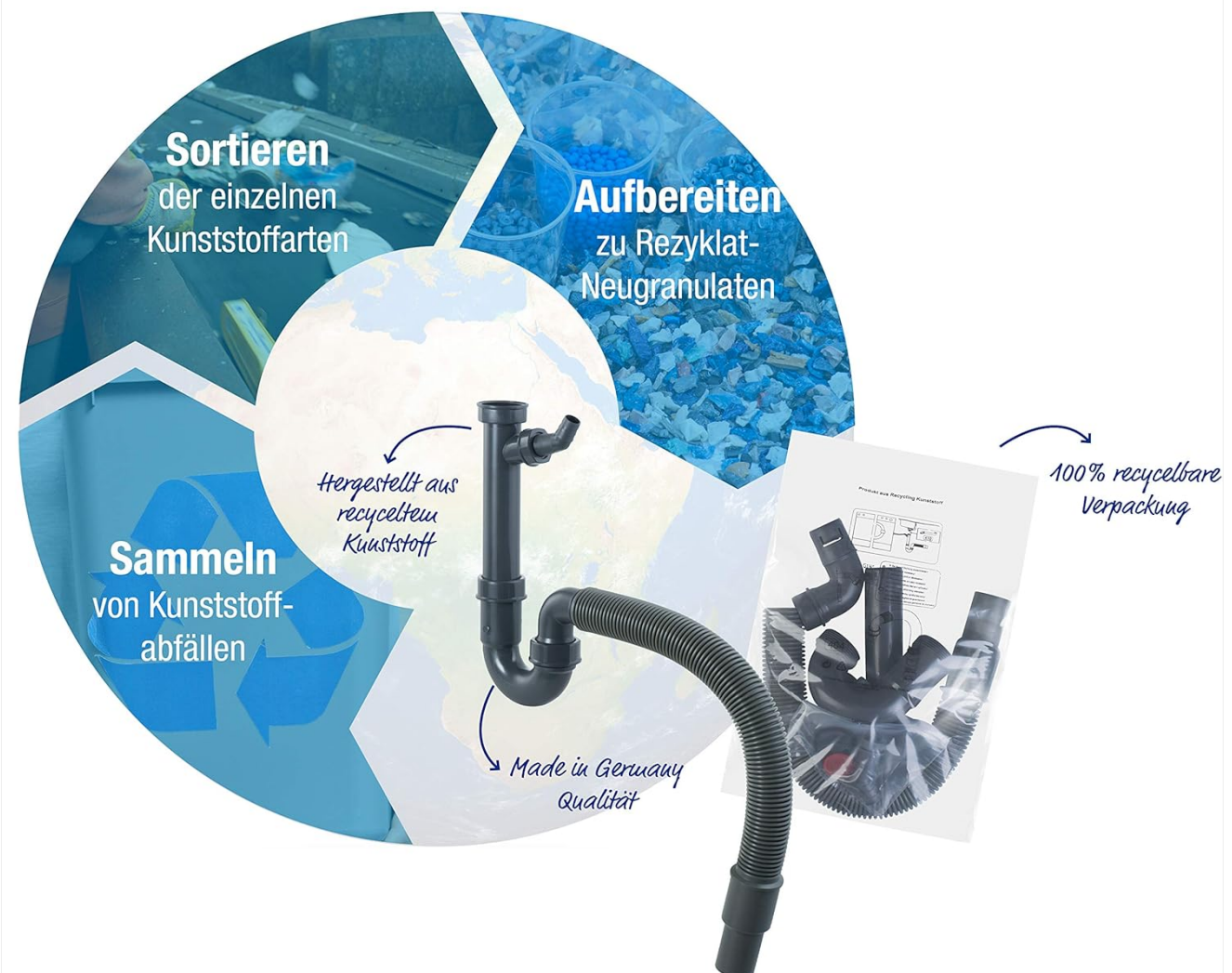


Figure 5: Infographic illustrating the sustainable lifecycle of the product, from plastic waste collection and sorting to processing into recycled granules and the use of 100% recyclable packaging.

WARRANTY

Specific warranty information for this product is not provided in the available documentation. Please refer to your purchase receipt or contact the retailer for details regarding warranty coverage and terms.

SUPPORT

For further assistance, technical support, or inquiries regarding your Cornat Flexible Odor Trap, please contact your point of

purchase or visit the official Cornat website for customer service information.