



[Manuals.plus](#) /

> [Outsunny](#) /

> Outsunny 10' x 8' Manual Retractable Awning Instruction Manual

Outsunny 840-150CWNEW

Outsunny 10' x 8' Manual Retractable Awning Instruction Manual

MODEL: 840-150CWNEW

1. Product Overview

The Outsunny 10' x 8' Manual Retractable Awning is designed to provide shade and UV protection for your patio, deck, or yard. It features a durable aluminum and steel frame, and a 280g polyester fabric with PU coating for resistance against UV rays. The awning is manually operated with a hand crank, allowing for smooth and quiet extension and retraction to adjust your sun or shade needs.



This image shows the Outsunny manual retractable awning fully extended over a patio, creating a shaded area for outdoor furniture. The awning is beige, complementing the modern house exterior.

2. Safety Instructions

- **Read all instructions carefully before assembly and installation.** Improper installation can lead to product failure and injury.
- **Two people are highly recommended for installation,** especially when mounting the awning to the wall, due to its size and weight.
- **Ensure the awning is securely mounted to wall studs or appropriate structural supports.** Mounting to stucco or siding without proper anchoring to studs will not provide sufficient support and can cause the awning to detach.
- **Do not use the awning in heavy rain, strong winds, or snowy conditions.** Large amounts of rain or snow can pool on the fabric, causing damage to the awning structure and potentially leading to collapse. Retract the awning during adverse weather.
- **Regularly inspect all fasteners and connections** to ensure they remain tight and secure.

- **Keep children and pets away from the awning during operation** to prevent accidents.

3. Package Contents

Verify that all components are present before beginning assembly. The package includes the awning frame, fabric, a 58.5-inch hand crank, and all necessary hardware for attachment to concrete surfaces. Mounting screws suitable for wood-framed homes are also included. If any parts are missing or damaged, please contact customer support.

PRODUCT DETAILS



Solid aluminum supporting bracket



Retractable arms



Smooth sliding front support bar



Decorative edging

This image displays detailed views of the awning's construction, including the robust aluminum supporting bracket, the mechanism of the retractable arms, the smooth sliding front support bar, and the decorative scalloped edging of the fabric.

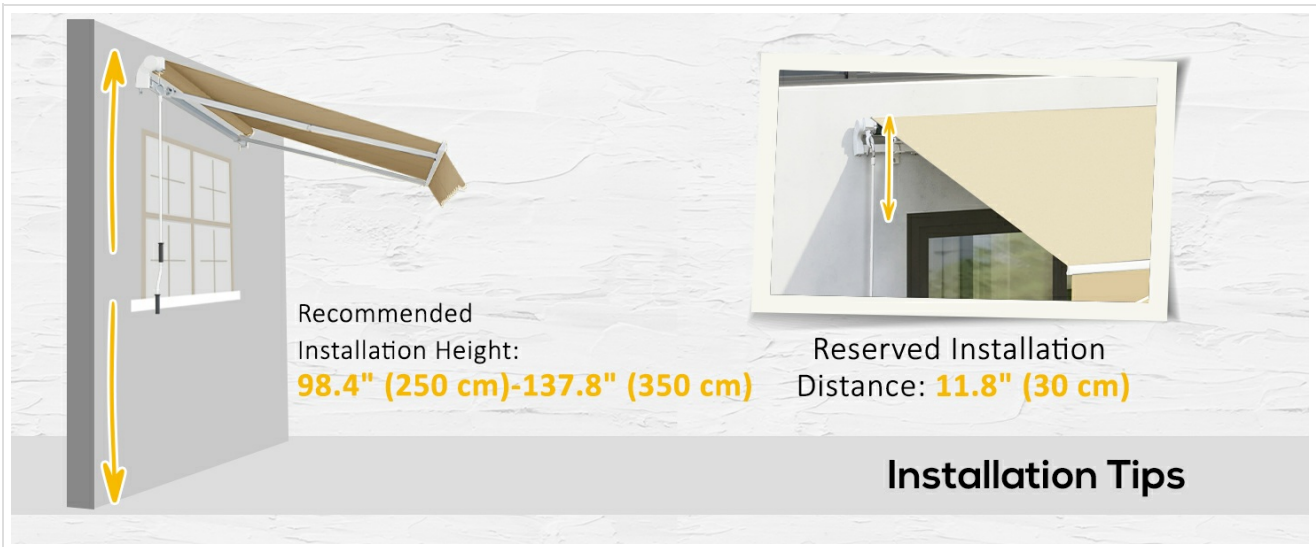
4. Installation

Proper installation is crucial for the stability and longevity of your awning. Follow these guidelines:

1. **Choose a suitable location:** The awning is designed for placement above windows, doors, or other areas

requiring shade.

2. **Identify mounting points:** Wall mount brackets must be bolted to wall studs on the exterior of the house. For stucco or siding, accurately locate the studs behind the exterior finish.
3. **Use appropriate hardware:** For wood-framed homes, use the provided mounting screws. For concrete surfaces, use the included hardware. If mounting to stucco over a stud, it is recommended to use 1/2" lag screws for wood rather than wedge anchors, as wood expands and contracts differently than concrete.
4. **Recommended Installation Height:** 98.4" (250 cm) - 137.8" (350 cm) from the ground.
5. **Reserved Installation Distance:** Ensure a minimum of 11.8" (30 cm) clearance above the awning's mounting point.
6. **Securely attach brackets:** With assistance, position the awning and securely fasten the mounting brackets to the prepared wall studs or concrete.



This diagram provides visual guidance on the recommended installation height range (98.4"-137.8") and the necessary reserved installation distance (11.8") above the awning for proper function and clearance.



This image shows a detailed view of the awning's mounting bracket, highlighting the bolts used to secure it to the wall, emphasizing the importance of a strong and stable connection.

5. Operation

The Outsunny manual retractable awning is operated using the provided hand crank.

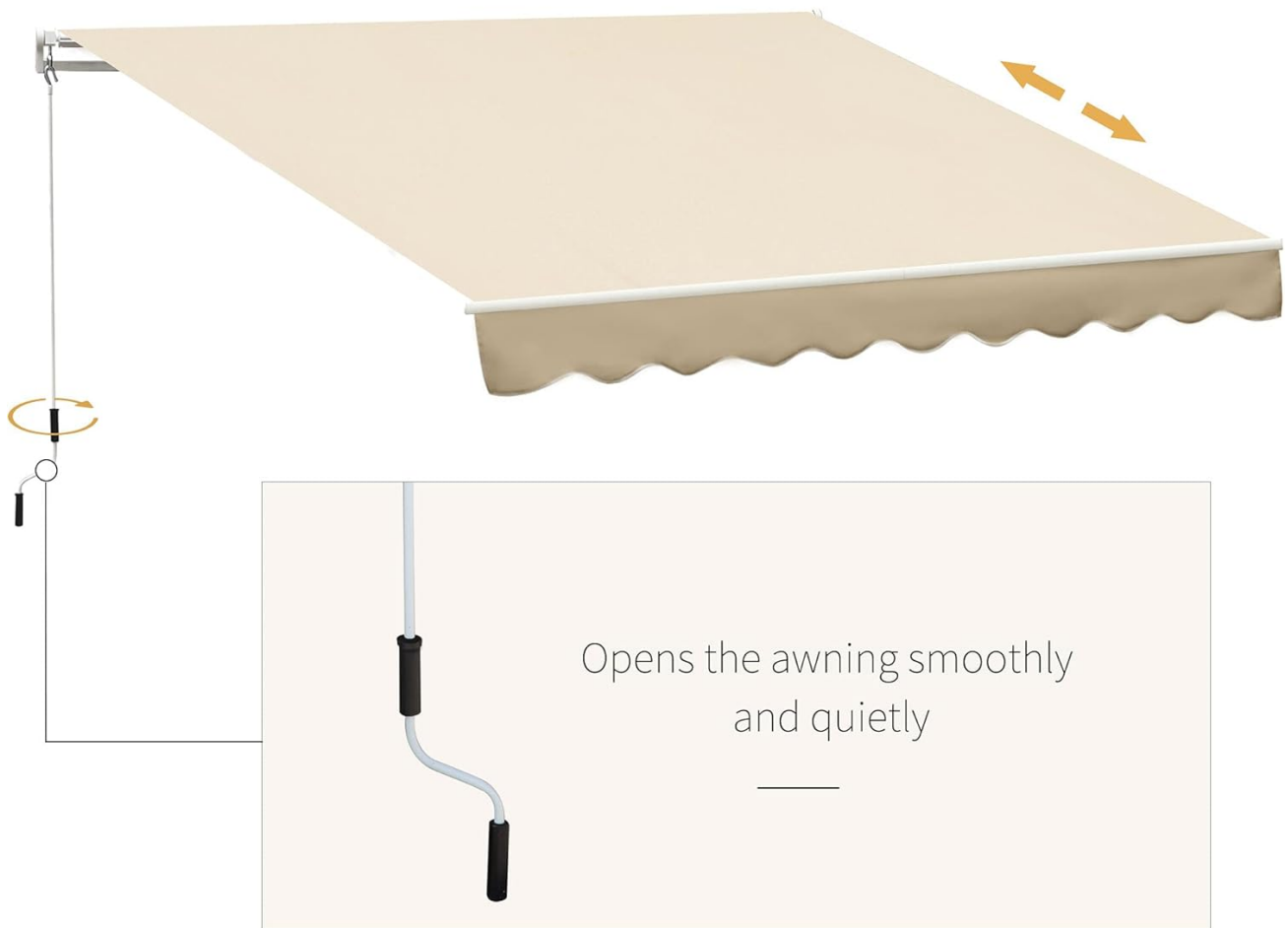
1. **To Extend the Awning:** Insert the hand crank into the designated loop on the side of the awning. Rotate the crank clockwise to smoothly extend the awning to your desired length.
2. **To Retract the Awning:** Rotate the hand crank counter-clockwise to retract the awning. Ensure it is fully retracted when not in use or during adverse weather conditions.
3. **Adjustable Angle:** The awning's angle can be adjusted to provide optimal shading based on sun exposure. Refer to the installation section for initial angle setup.



This diagram illustrates the manual operation of the awning, showing the hand crank mechanism and arrows indicating the smooth and quiet movement of the awning as it extends and retracts.

ADJUSTABLE PROTECTION

Features a long 58.8" hand crank



This image provides a visual representation of the awning's manual operation, with a diagram of the hand crank and text indicating that the awning opens smoothly and quietly.

Your browser does not support the video tag.

This video demonstrates the operation of an Outsunny sunshade awning, showing its extension and retraction. It highlights the smooth movement and the overall functionality of the product.

6. Maintenance

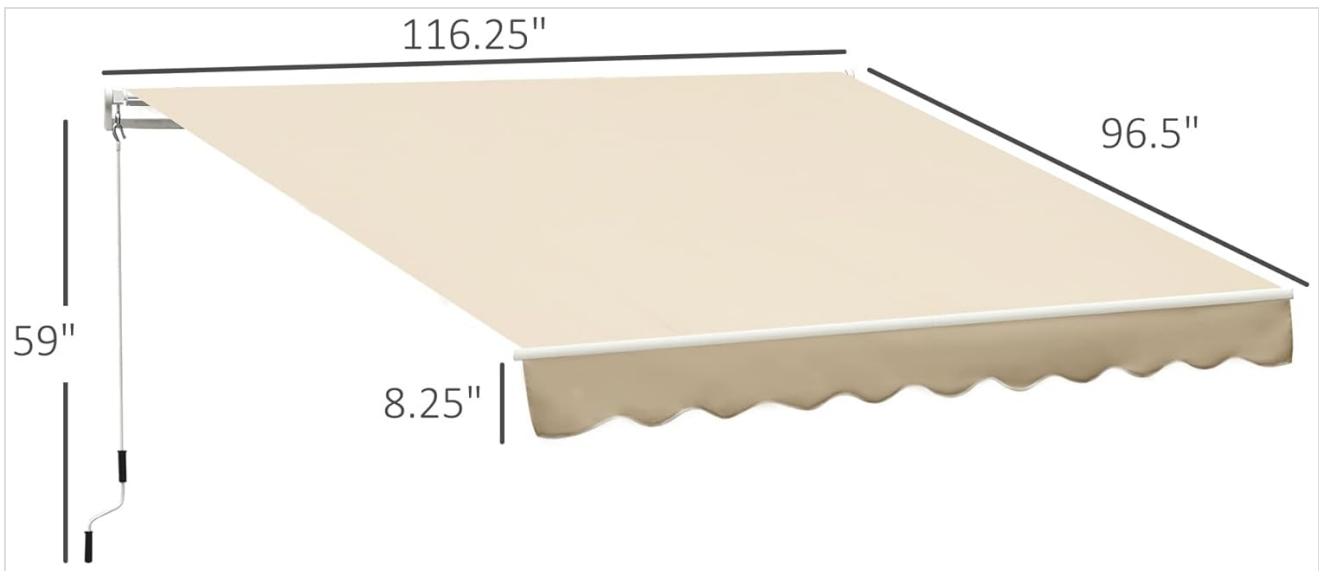
- **Cleaning the Fabric:** Clean the polyester fabric with mild soap and water. Avoid harsh chemicals or abrasive brushes that could damage the PU coating. Rinse thoroughly and allow to air dry completely before retracting.
- **Frame Maintenance:** Periodically wipe down the aluminum and steel frame with a damp cloth to remove dirt and debris. Check for any signs of rust or wear on metal components.
- **Lubrication:** If the retraction mechanism becomes stiff, apply a silicone-based lubricant to moving parts as needed.
- **Winter Storage:** For prolonged periods of non-use, especially during winter, it is recommended to fully retract the awning and consider using a protective snow cover to shield it from harsh elements.

7. Troubleshooting

- **Awning not extending/retracting smoothly:** Check for obstructions in the mechanism or fabric. Ensure the hand crank is properly engaged. Lubricate moving parts if necessary.
- **Awning arm appears uneven or sagging:** This could indicate an issue with the arm mechanism or mounting. Inspect all connections and contact customer support if the issue persists after checking for obstructions.
- **Missing or damaged parts:** If you discover any missing components or damaged parts upon unboxing or during assembly, do not proceed with installation. Contact Outsunny customer service for assistance.
- **Mounting instability:** If the awning feels loose after installation, re-check that the mounting brackets are securely fastened to structural studs or appropriate anchors. Ensure the correct type of screws/anchors were used for your wall material.

8. Specifications

Feature	Detail
Brand	Outsunny
Model Number	840-150CWNEW
Product Dimensions	245 x 295 x 150 cm (96.5 x 116.1 x 59 inches)
Item Weight	18.46 kg (40.69 lbs)
Material	Aluminum frame, Steel components, Polyester fabric with PU coating
Colour	Beige
Operation Mode	Manual (Hand Crank)
Assembly Required	Yes
Projection Distance	116.1 Inches (295 cm)



This diagram provides a clear visual representation of the awning's key dimensions, including its width (116.25"), projection (96.5"), and the drop of the valance (8.25"), along with the hand crank length (59").

9. Warranty and Support

For any questions regarding assembly, operation, missing parts, or warranty claims, please contact Outsunny customer support. You can reach Aosom Canada, the manufacturer, at Tel. 1-416-792-6088. Please have your model number (840-150CWNEW) and purchase information ready when contacting support.