

AEG T7DBZ41578

AEG Lavatherm T7DBZ41578 Heat Pump Dryer User Manual

Model: T7DBZ41578 | Brand: AEG

1. INTRODUCTION

Thank you for choosing the AEG Lavatherm T7DBZ41578 Heat Pump Dryer. This manual provides essential information for the safe and efficient operation, installation, and maintenance of your appliance. Please read these instructions carefully before using the dryer and keep them for future reference.

2. SAFETY INFORMATION

For your safety and to ensure correct use, please observe the following precautions:

- **Electrical Safety:** Ensure the dryer is connected to a properly grounded electrical outlet. Do not use extension cords or adapters.
- **Children and Vulnerable Persons:** This appliance can be used by children aged 8 years and above and persons with reduced physical, sensory or mental capabilities or lack of experience and knowledge if they have been given supervision or instruction.
- **Ventilation:** Ensure adequate ventilation around the dryer. Do not block ventilation openings.
- **Flammable Materials:** Do not dry items that have been soiled with flammable substances such as cooking oil, gasoline, or dry-cleaning solvents.
- **Installation:** The dryer must be installed by a qualified person in accordance with local regulations.

3. PRODUCT OVERVIEW

The AEG Lavatherm T7DBZ41578 is a 7kg A++ heat pump dryer designed for efficient and gentle drying of your laundry. It features SensiDry Technology for lower temperatures and ProSense Technology to optimize drying time and energy consumption, along with an extended crease protection function.



Figure 1: Front view of the AEG Lavatherm T7DBZ41578 Heat Pump Dryer with the loading door open, showing the drum interior.



Figure 2: Detailed view of the control panel, featuring the program selection dial and various function buttons.



Figure 3: Close-up of the stainless steel drum interior, designed for gentle fabric care.

4. SETUP AND INSTALLATION

4.1 Unpacking

Carefully remove all packaging materials. Check the appliance for any transport damage. Report any damage to your supplier immediately.

4.2 Location Requirements

- Place the dryer on a firm, level floor.
- Ensure sufficient air circulation around the appliance. Do not install in a confined space.
- Avoid direct sunlight and heat sources.

4.3 Leveling the Appliance

Adjust the feet at the bottom of the dryer to ensure it is perfectly level. A level appliance reduces vibration and noise during operation.

4.4 Electrical Connection

Connect the power cord to a grounded electrical outlet. Ensure the voltage and frequency match the specifications on the rating plate of the appliance.

4.5 Drainage Connection

The dryer collects condensate water in a tank. You can also connect a drainage hose for direct discharge into a drain. Refer to the diagram below for potential rear connections.

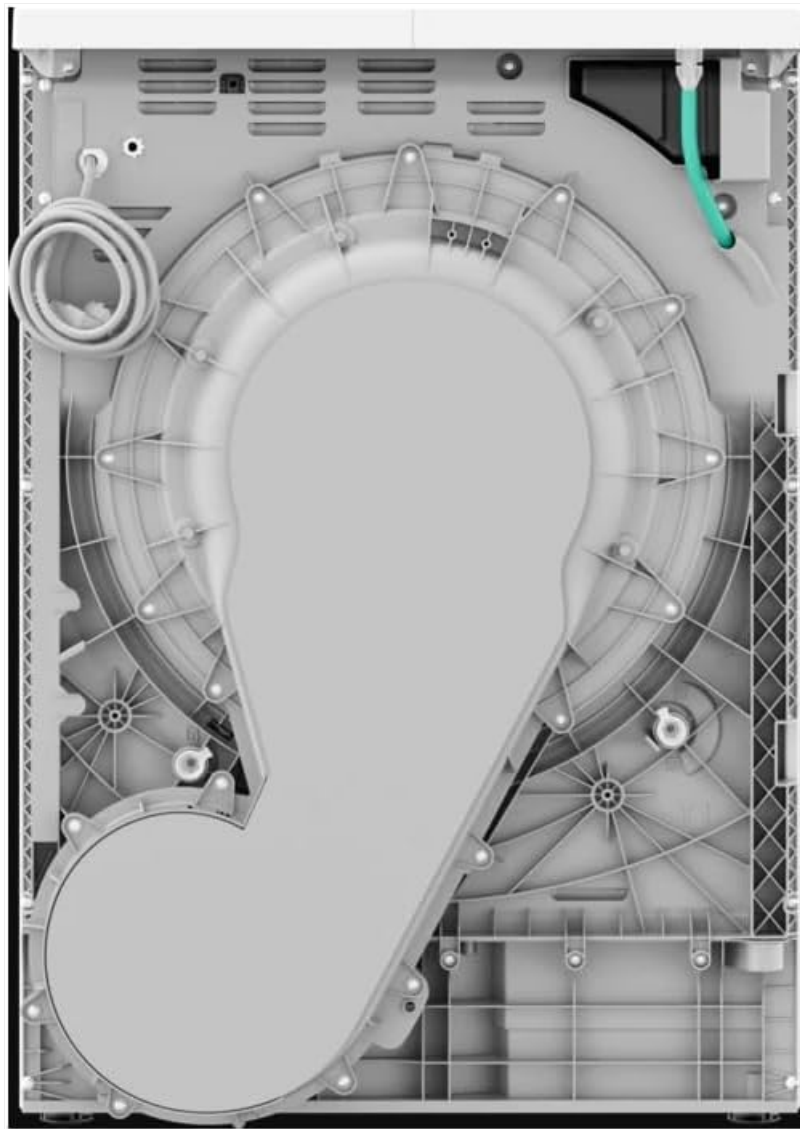


Figure 4: Rear view of the dryer, illustrating internal components and potential connection points for drainage.

5. OPERATING INSTRUCTIONS

5.1 Loading Laundry

- Sort laundry by fabric type and desired dryness level.
- Do not overload the dryer. The maximum capacity is 7kg.
- Close the door firmly.

5.2 Program Selection

Turn the program selection dial (refer to Figure 2) to choose the appropriate drying program for your laundry. Common programs include:

- **Cotton:** For cotton items like towels and bed linen.
- **Synthetics:** For synthetic and mixed fabrics.
- **Delicates:** For heat-sensitive items.
- **Wool:** Specific program for wool items (check garment care labels).

5.3 Special Functions

- **SensiDry:** Uses lower temperatures to dry clothes gently and efficiently.
- **ProSense:** Automatically adjusts drying time and energy consumption based on load size and

moisture level.

- **Extended Crease Protection:** Tumbles laundry periodically after the cycle ends to prevent creasing.

5.4 Starting a Cycle

Press the Start/Pause button to begin the selected drying program.

5.5 End of Cycle

The dryer will signal when the cycle is complete. Remove laundry promptly to minimize creasing.

6. MAINTENANCE

Regular maintenance ensures optimal performance and extends the lifespan of your dryer.

6.1 Cleaning the Lint Filter

Clean the lint filter after every drying cycle. A clogged filter reduces drying efficiency and increases energy consumption.



Figure 5: Location of the lint filter compartment at the bottom of the dryer door opening.



Figure 6: The lint filter, removed for cleaning. Remove all accumulated lint before reinserting.

6.2 Emptying the Condensate Water Tank

Empty the condensate water tank after every drying cycle. If the tank is full, the dryer will stop operating.

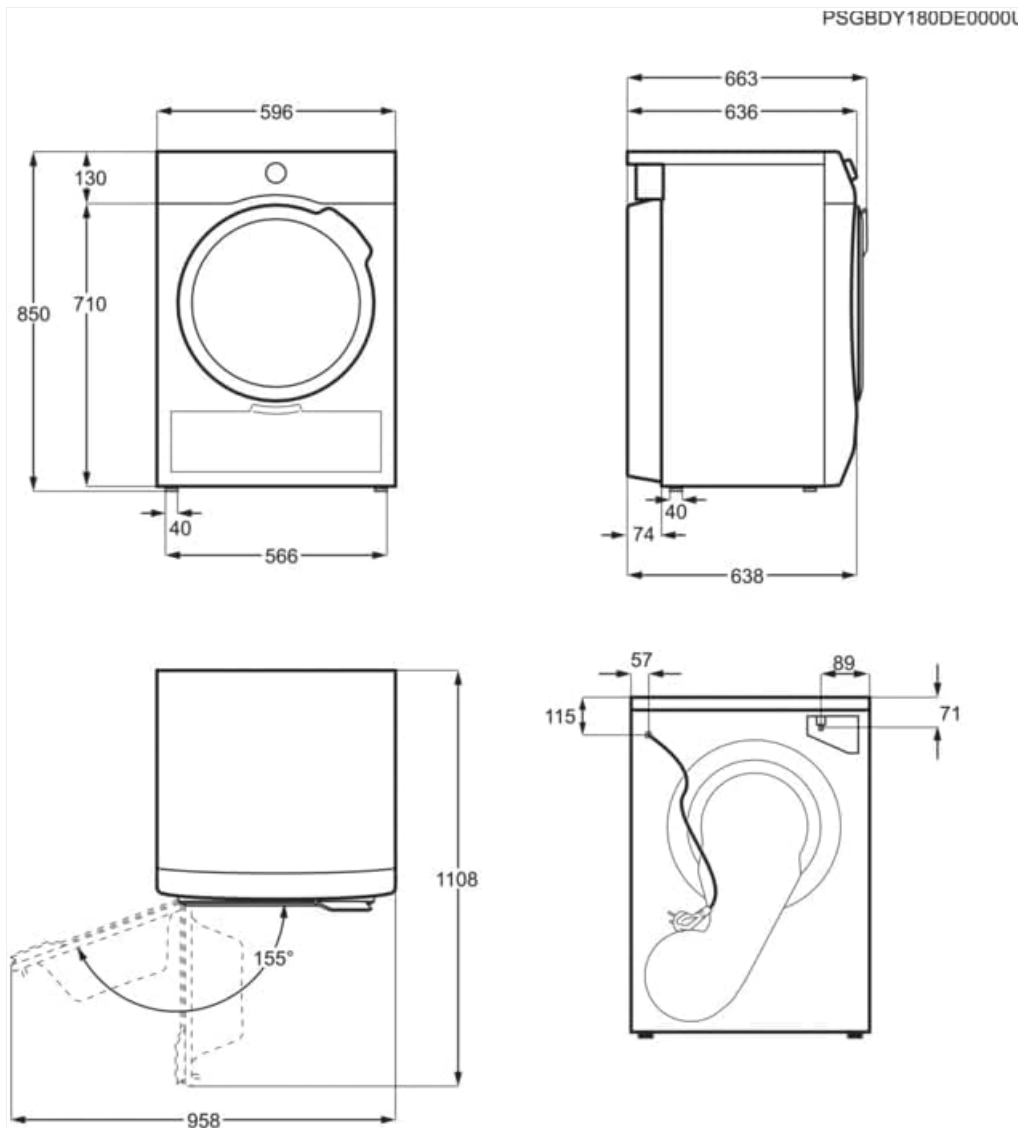


Figure 7: The removable condensate water tank, located at the top left of the dryer, ready to be emptied.

6.3 Cleaning the Condenser

Periodically clean the condenser unit as per the instructions in your full product manual. This is crucial for heat pump dryers to maintain energy efficiency.

6.4 Cleaning the Exterior

Wipe the exterior surfaces with a soft, damp cloth. Do not use abrasive cleaners or solvents.

7. TROUBLESHOOTING

If you encounter problems with your dryer, consult the following table before contacting customer service.

Problem	Possible Cause	Solution
Dryer does not start	No power supply; Door not closed; Program not selected	Check power connection; Close door firmly; Select a program and press Start
Poor drying results	Lint filter clogged; Overloaded; Incorrect program	Clean lint filter; Reduce load size; Select appropriate program
Water tank full indicator on	Condensate tank is full	Empty the condensate water tank

Problem	Possible Cause	Solution
Unusual noise	Appliance not level; Foreign objects in drum	Adjust leveling feet; Check drum for loose items

8. SPECIFICATIONS

Technical data for the AEG Lavatherm T7DBZ41578 Heat Pump Dryer:

Feature	Value
Brand	AEG
Model Number	T7DBZ41578 (Internal Model: 260537)
Capacity	7 kg
Energy Efficiency Class	A++
Noise Level	1 Decibel (Note: This value may be a placeholder and actual noise level may vary)
Voltage	220 Volts
Product Weight	1 Kilogram (Note: This value may be a placeholder and actual weight may vary)
Product Dimensions (W x D x H)	Refer to diagram below for detailed measurements
ASIN	B08123JRFD
First Available Date	September 25, 2019



Figure 8: Detailed technical drawing showing the dimensions (in mm) of the AEG Lavatherm T7DBZ41578 dryer from various angles.

9. WARRANTY AND CUSTOMER SUPPORT

Your AEG Lavatherm T7DBZ41578 Heat Pump Dryer comes with a manufacturer's warranty. Please refer to the warranty card included with your appliance for specific terms and conditions.

For technical assistance, spare parts, or service requests, please contact AEG customer support:

- **Website:** www.aeg.com
- **Phone:** Refer to your local AEG website for country-specific contact numbers.

When contacting support, please have your appliance's model number (T7DBZ41578) and serial number ready.

