

## MOUNTUP MU0009

# MOUNTUP MU0009 Full Motion TV Wall Mount Instruction Manual

Model: MU0009

## 1. INTRODUCTION

---

This manual provides detailed instructions for the safe and proper installation and operation of your MOUNTUP MU0009 Full Motion TV Wall Mount. Please read this manual thoroughly before installation to ensure correct setup and to prevent damage or injury. This mount is designed for most 26-60 inch LED, LCD, OLED, and 4K TVs weighing up to 77 lbs (35 kg).

The full motion design allows for optimal viewing flexibility, including swivel, tilt, and extension capabilities. It features a robust alloy steel construction for durability and security.



Image: The MOUNTUP MU0009 full motion TV wall mount with a television extended from the wall, demonstrating its range of motion.

## 2. SAFETY INFORMATION

---

- **Read all instructions:** Before installation, read and understand all assembly instructions. If you have any

questions, contact customer support.

- **Weight Capacity:** Do not exceed the maximum weight capacity of 77 lbs (35 kg). Exceeding this limit may result in serious injury or property damage.
- **Screen Size:** This mount is designed for TVs between 26 and 60 inches.
- **Wall Type:** This mount is designed for installation on wood studs or solid concrete/brick walls.**DO NOT install on drywall alone.** Ensure the mounting surface can safely support the combined weight of the mount and the TV.
- **Tools:** Use appropriate tools for installation. A stud finder, drill, level, and socket wrench are typically required.
- **Assistance:** Due to the size and weight of TVs, it is recommended to have at least two people for installation.
- **Hardware:** Use only the provided hardware. If any parts are missing or damaged, contact customer support.
- **Post-Installation Check:** After installation, ensure the mount is securely fastened and the TV is stable before use.

### 3. SPECIFICATIONS

---

Feature	Detail
Model Number	MU0009
TV Size Compatibility	26 - 60 inches
Weight Capacity	Up to 77 lbs (35 kg)
VESA Compatibility	100x100mm to 400x400mm
Mounting Type	Full Motion (Articulating)
Swivel Range	Up to 180° (depending on TV size)
Tilt Range	0° to -10°
Level Adjustment	+/- 3° post-installation
Extension from Wall	2" (retracted) to 15.3" (extended)
Material	Alloy Steel
Color	Black
Item Weight	2 Kilograms

# Wide Compatibility



Weight Capacity

**77 lbs. / 35 kg**

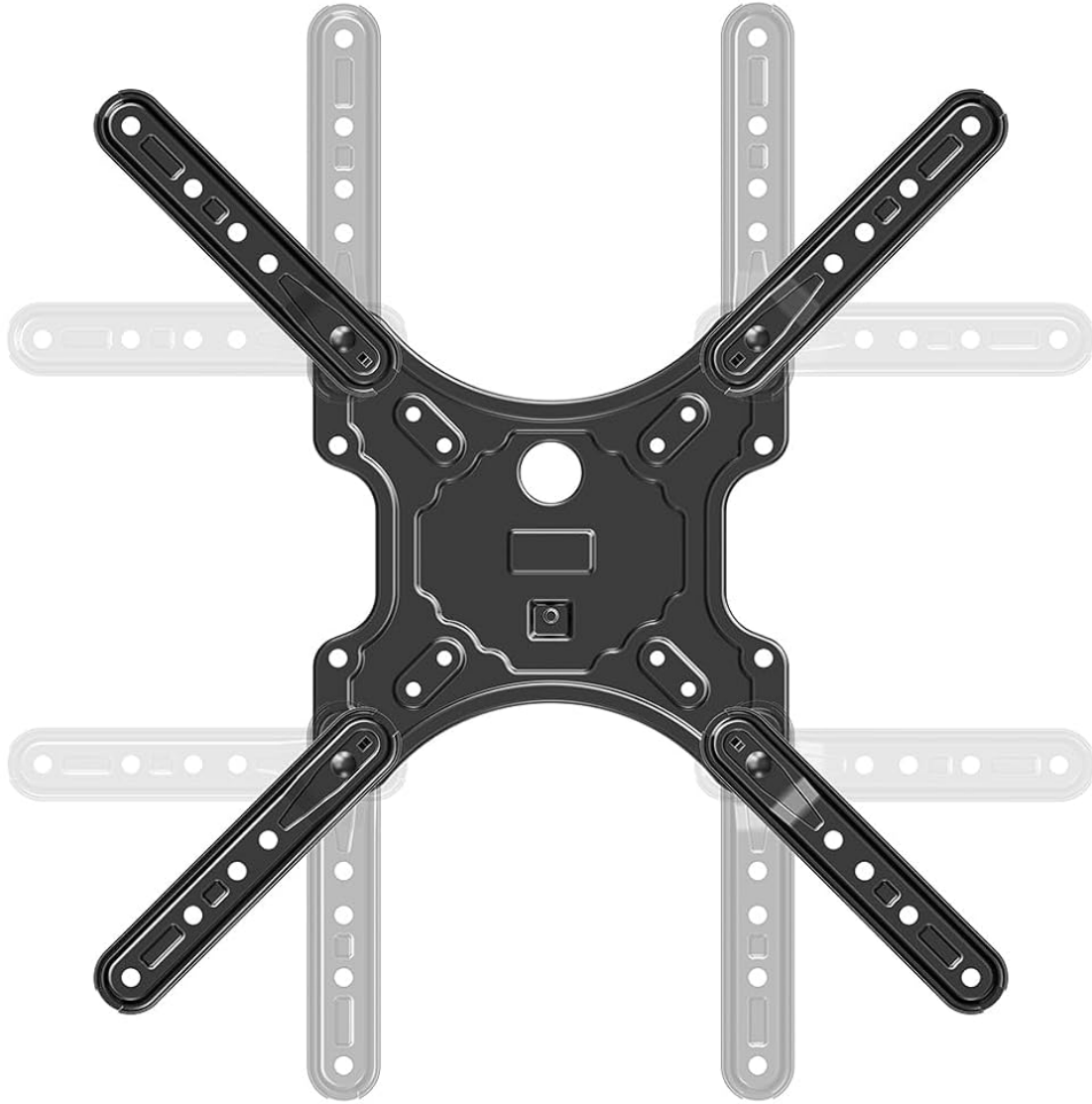
VESA Range

MAX **400×400mm / 16×16"**

MIN **100×100mm / 4×4"**

Image: Visual representation of the mount's compatibility, including supported TV sizes (26-60 inches), weight capacity (77 lbs / 35 kg), and VESA range (100x100mm to 400x400mm).

# Available VESA Patterns



**100x100mm | 200x100mm | 200x200mm | 200x250mm**  
**200x300mm | 200x400mm | 300x200mm | 300x300mm**  
**300x400mm | 400x200mm | 400x300mm | 400x400mm**

**⊗ Note: Not for VESA 100\*200 ⊗**

Image: A detailed diagram showing the available VESA patterns that the MOUNTUP MU0009 mount can accommodate, ranging from 100x100mm to 400x400mm.

## 4. INSTALLATION (SETUP)

---

Before beginning, ensure you have all necessary tools and hardware. It is highly recommended to have a second person assist with the installation.

## 4.1. Check Wall Compatibility

The MOUNTUP MU0009 is designed for installation on a single wood stud or solid concrete/brick walls. **Do not mount on drywall alone.**

- **Wood Stud Installation:** Locate the center of a wood stud using a stud finder.
- **Concrete/Brick Wall Installation:** Use appropriate concrete anchors (not included, but typically provided with the mount) and a masonry drill bit.

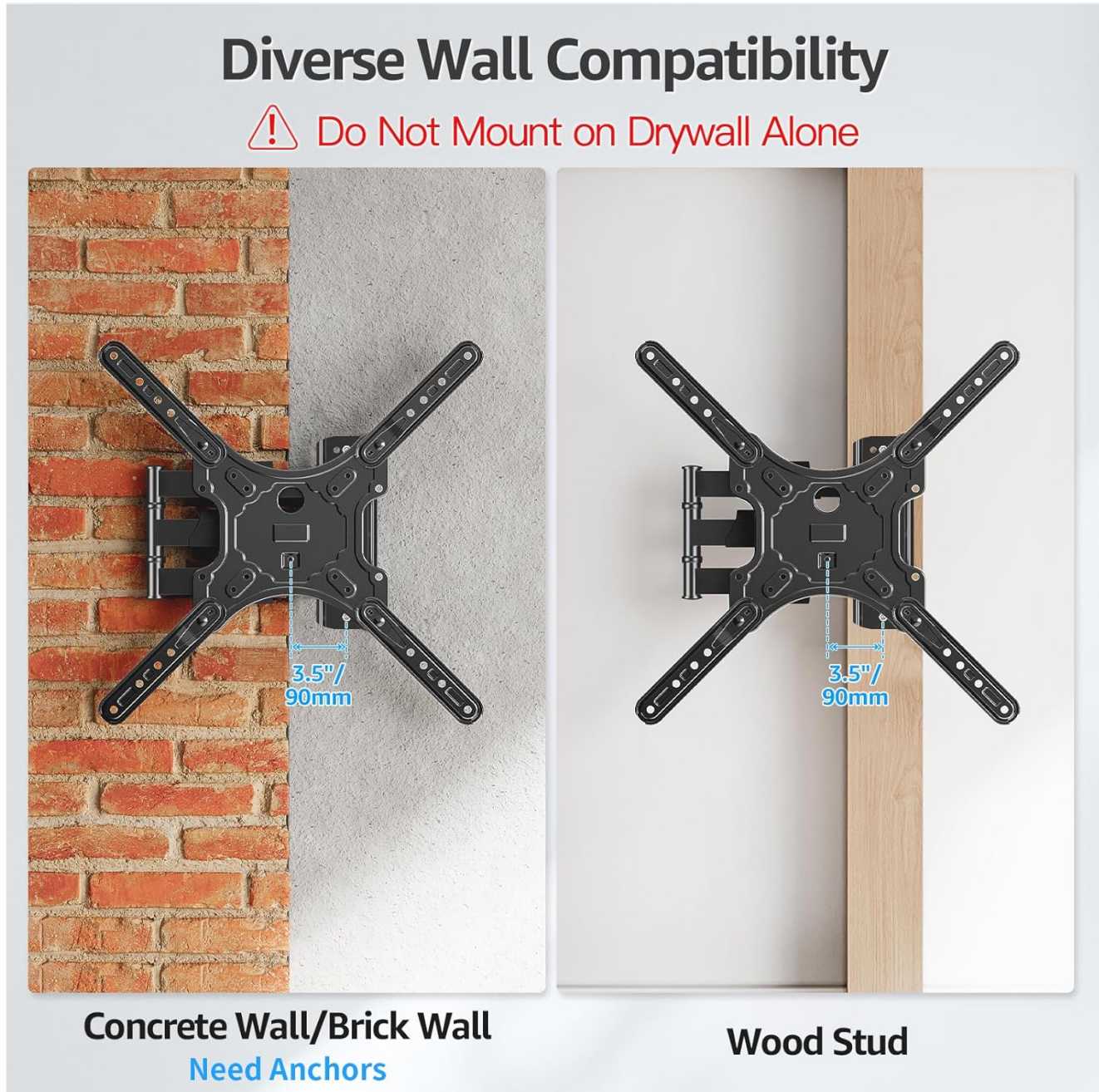


Image: Illustration of diverse wall compatibility, showing installation on a wood stud and a concrete/brick wall, with a clear warning not to mount on drywall alone.

## 4.2. Step-by-Step Installation

Follow these general steps for installation. Refer to the included instruction sheet for detailed diagrams and specific hardware usage.

1. **Step 1: Mount Brackets to TV.** Attach the VESA plate and extension arms to the back of your TV using the appropriate screws, washers, and spacers from the hardware kit. Ensure the brackets are centered and securely tightened.

- Step 2: Install Wall Plate.** Mark the desired height and position for the wall plate on your chosen wall type. Drill pilot holes according to the instructions for your wall type (wood stud or concrete). Secure the wall plate to the wall using the provided lag bolts. Ensure it is level and firmly attached.
- Step 3: Hang TV on Wall Plate.** Carefully lift the TV (with brackets attached) and hook it onto the wall plate. Secure the TV to the wall plate using the safety screws or locking mechanisms as indicated in the detailed instructions.



Image: A visual guide to the easy 3-step installation process: 1. Mount brackets to TV, 2. Install wall plate, 3. Hang TV on the wall plate.

### 4.3. Corner Installation

The single stud design and 15.3-inch extension make this mount suitable for corner installations, allowing the TV to be positioned optimally within a corner space.

# The Corner Mount Solution



Image: The MOUNTUP MU0009 TV mount shown installed in a room corner, highlighting its corner mounting solution capability.

## 5. OPERATION

---

Once installed, your MOUNTUP MU0009 TV wall mount offers various adjustments for an optimal viewing experience.

- **Swivel:** The articulating arms allow the TV to swivel up to 180° (90° left to 90° right), depending on TV size and wall clearance. Gently push or pull the TV to the desired angle.
- **Tilt:** The mount offers a tilt range of 0° to -10°. Use the tool-free tilt adjustment knobs on the TV brackets to set the desired vertical angle, reducing glare.
- **Extension & Retraction:** The mount can extend up to 15.3 inches from the wall and retract back to 2 inches, providing flexibility for viewing and saving space when not in use.
- **Level Adjustment:** A post-installation leveling adjustment of +/- 3° allows for perfect TV alignment even if the wall plate was not perfectly level during installation.

# Comfortable Viewing Experience

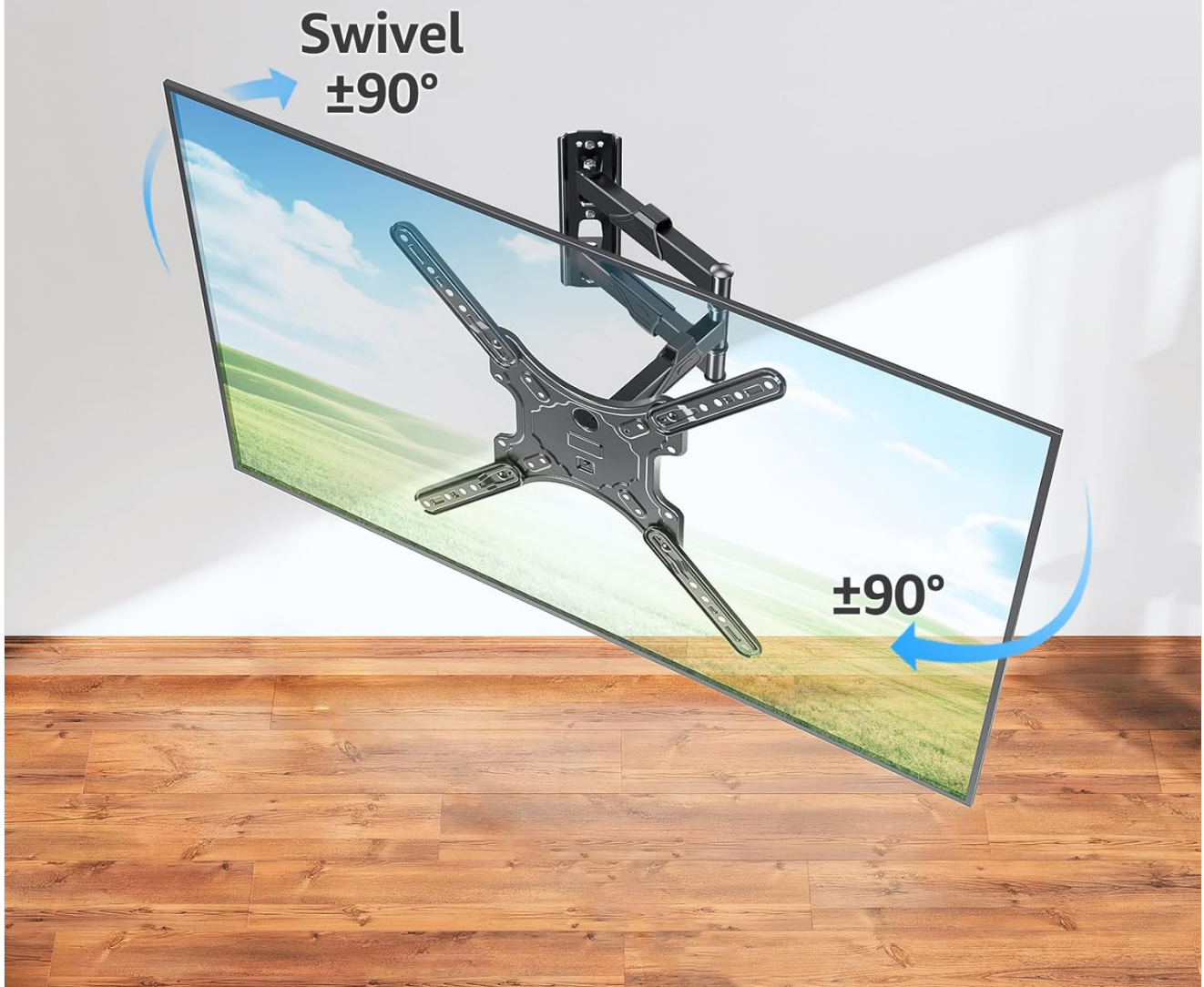


Image: Illustration of the mount's swivel function, enabling a comfortable viewing experience by rotating the TV up to 90 degrees left or right.

# Minimize Glare & Optimize Space

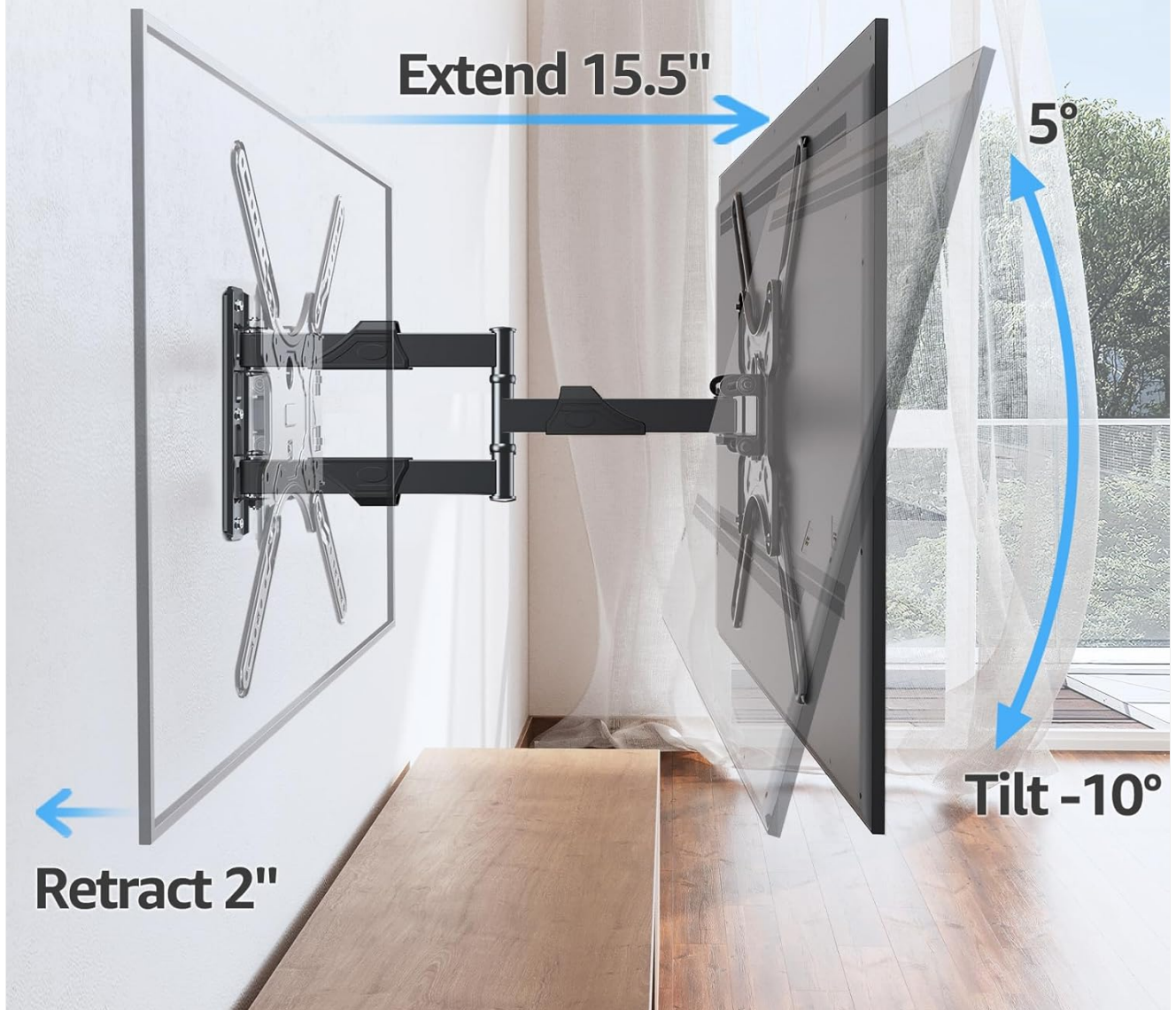


Image: Demonstrates how the mount extends up to 15.5 inches, retracts to 2 inches, and tilts up to -10 degrees to minimize glare and optimize space.

# Level Adjustment After Installation

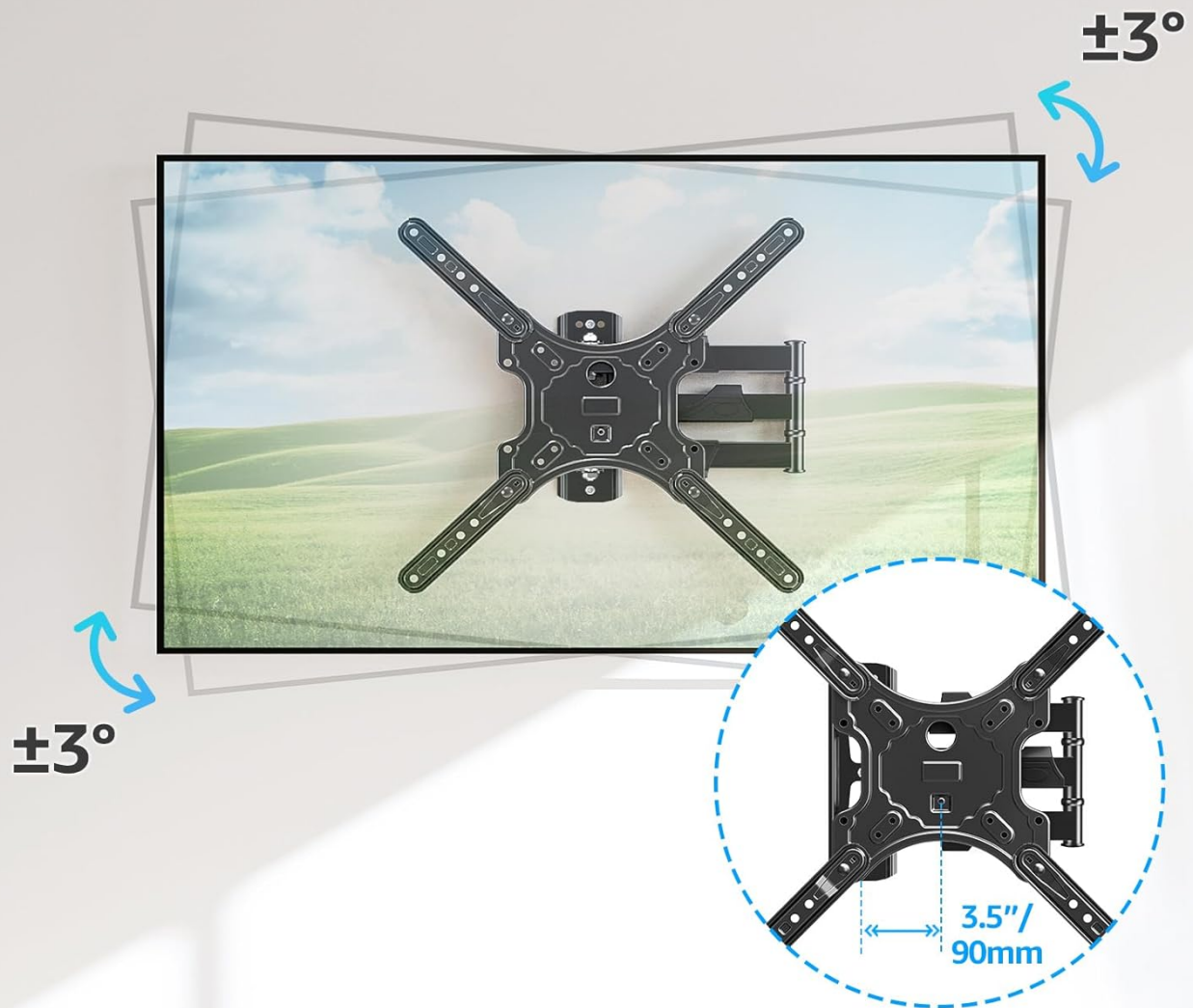


Image: Illustrates the level adjustment feature, allowing for a +/- 3 degree rotation of the TV after installation for perfect leveling.

## 5.1. Cable Management

Utilize the included cable ties to organize and secure cables along the articulating arms, providing a cleaner and more organized appearance.

## Say Goodbye to Messy Wires

A cleaner look for your living room



Image: The MOUNTUP MU0009 mount with cables neatly managed along its arms, contributing to a clean living room aesthetic.

## 6. MAINTENANCE

---

- **Regular Checks:** Periodically check all screws and connections to ensure they remain tight and secure.
- **Cleaning:** Clean the mount with a soft, dry cloth. Avoid abrasive cleaners or solvents that could damage the finish.
- **Lubrication:** The articulating joints are designed for smooth operation and generally do not require lubrication. If movement becomes stiff, contact customer support.

## 7. TROUBLESHOOTING

---

- **TV is not level:** Use the post-installation level adjustment feature (+/- 3°) to fine-tune the TV's horizontal position.
- **Mount feels loose:** Re-check all wall plate and TV bracket screws. Ensure they are tightened securely. If mounted on a wood stud, verify the stud was properly located and the lag bolts are fully engaged. If on concrete, ensure anchors are correctly installed.
- **Difficulty moving TV:** Ensure no cables are snagged. Check that all joints are free from obstruction. If the mount is new, it may require a few movements to loosen up.
- **Missing parts:** Refer to the package contents list. If any parts are missing, contact MOUNTUP customer support immediately.

## 8. OFFICIAL PRODUCT VIDEO GUIDE

---

Watch the official MOUNTUP product video for a visual guide on the features and installation of the MU0009 TV Wall Mount.

Your browser does not support the video tag.

Video: Official MOUNTUP video demonstrating the features and installation process of the MU0009 Swivel TV Wall Mount for 26-60 inch TVs.

## 9. WARRANTY AND SUPPORT

---

This MOUNTUP product comes with a **3-year warranty**. For any pre-purchase questions, installation assistance, or warranty claims, please contact our professional support team.

**Contact Information:** Refer to the contact details provided on the product packaging or the official MOUNTUP website.