



Manuals.plus /

- › **PURPLE LEAF** /
- › PURPLE LEAF 10' x 13' Rectangle Cantilever Patio Umbrella Instruction Manual

## **PURPLE LEAF 10' x 13' Rectangle Cantilever Umbrella**

# **PURPLE LEAF 10' x 13' Rectangle Cantilever Patio Umbrella Instruction Manual**

Model: 10' x 13' Rectangle Cantilever Umbrella

## **1. PRODUCT OVERVIEW**

---

This manual provides instructions for the assembly, operation, and maintenance of your PURPLE LEAF 10' x 13' Rectangle Cantilever Patio Umbrella. This umbrella features a unique double-top canopy design, an all-aluminum pole, and heavy-duty ribs for durability.



Image: The PURPLE LEAF 10' x 13' Grey Rectangle Cantilever Patio Umbrella in an outdoor setting, providing shade for a dining area.



Image: An aerial view of the umbrella, highlighting its rectangular shape and the offset pole design, with a base visible on a wooden deck.

## 2. SETUP AND ASSEMBLY

---

### 2.1 Unpacking and Component Check

Carefully unpack all components from the packaging. Verify that all parts are present and undamaged. Refer to the packing list provided with your umbrella for a complete inventory.

### 2.2 Base Requirements

**Important:** A patio umbrella base is not included with this product and must be purchased separately. For optimal stability, especially in windy conditions, a heavy-duty base is required. Recommended bases include water tank bases (e.g., PURPLE LEAF DY1150), anchor ground bases, or steel plate bases. Ensure the chosen base is appropriate for the size and weight of this cantilever umbrella.

# Upgraded Base Tube

The tube weighs **14LB** and enhanced the stability of the cantilever umbrella



Image: A visual comparison showing an upgraded, heavier base tube (14 lbs) designed for large cantilever umbrellas, emphasizing its contribution to wind resistance and stability compared to a lighter, smaller base tube (3.7 lbs).

## 2.3 Assembly Steps

While assembly is designed to be straightforward, it may require two individuals due to the size and weight of the components. Follow the detailed instructions provided in the separate assembly guide for your specific model. Ensure all connections are secure before use.



Note: The base of the umbrella needs to be purchased separately.

Image: A diagram illustrating the overall dimensions of the umbrella, including its 10ft by 13ft canopy and various height measurements at different tilt positions. It also notes that the base is sold separately.

### 3. OPERATING INSTRUCTIONS

#### 3.1 Opening and Closing the Umbrella

- To open the umbrella, use the integrated crank system. Turn the crank handle clockwise until the canopy is fully extended.
- To close the umbrella, turn the crank handle counter-clockwise until the canopy is fully retracted.

#### 3.2 Adjusting Height and Angle

- The umbrella features a unique handle design and crank system that allows for 6 different height and angle adjustments.
- Utilize the tilt adjustment mechanism to achieve up to five different sunlight angles, providing flexible shade throughout the day.

#### 3.3 360-Degree Rotation

The umbrella pole allows for 360-degree rotation, enabling precise control over the shading area without

needing to move the entire base. Engage the rotation lock mechanism (if present) to secure the umbrella in the desired position.



## Aluminum Crank Handle

Five tilt adjustments meet various sunlight angles. Easy to open and close

Image: A detailed view of the aluminum crank handle and the yellow lever used for tilt adjustments, located on the main umbrella pole.

## 4. MAINTENANCE

---

### 4.1 Canopy Care

- The canopy is made from high-quality 240/gsm yarn-dyed polyester fabric, which is UV resistant, water-repellent, and colorfast.
- To clean, gently brush off loose dirt. Spot clean with mild soap and water. Rinse thoroughly and allow to air dry completely before closing or storing.
- Avoid using harsh chemicals or abrasive cleaners, as these can damage the fabric's protective coatings.



## 240/GSM PREMIUM YARN-DYED FABRIC 3 Years Fade Resistant



Tear Resistant



Water Repellent



Rated UV 50+

Image: A close-up shot of the 240/GSM premium yarn-dyed polyester fabric, showcasing its durable texture and indicating its tear-resistant, water-repellent, and UV 50+ rated properties.

### 4.2 Frame and Ribs Care

- The umbrella features an all-aluminum pole and 8 heavy-duty ribs with an anti-oxidation spray-painted finish.
- Clean the frame and ribs periodically with a damp cloth and mild soap. Dry thoroughly to prevent water spots.
- Inspect all moving parts and connections regularly for wear or looseness. Tighten fasteners as needed.

# Heavy Duty Aluminum Structural Support

Wind-resistant  
Rust-resistant  
Long-Service Period

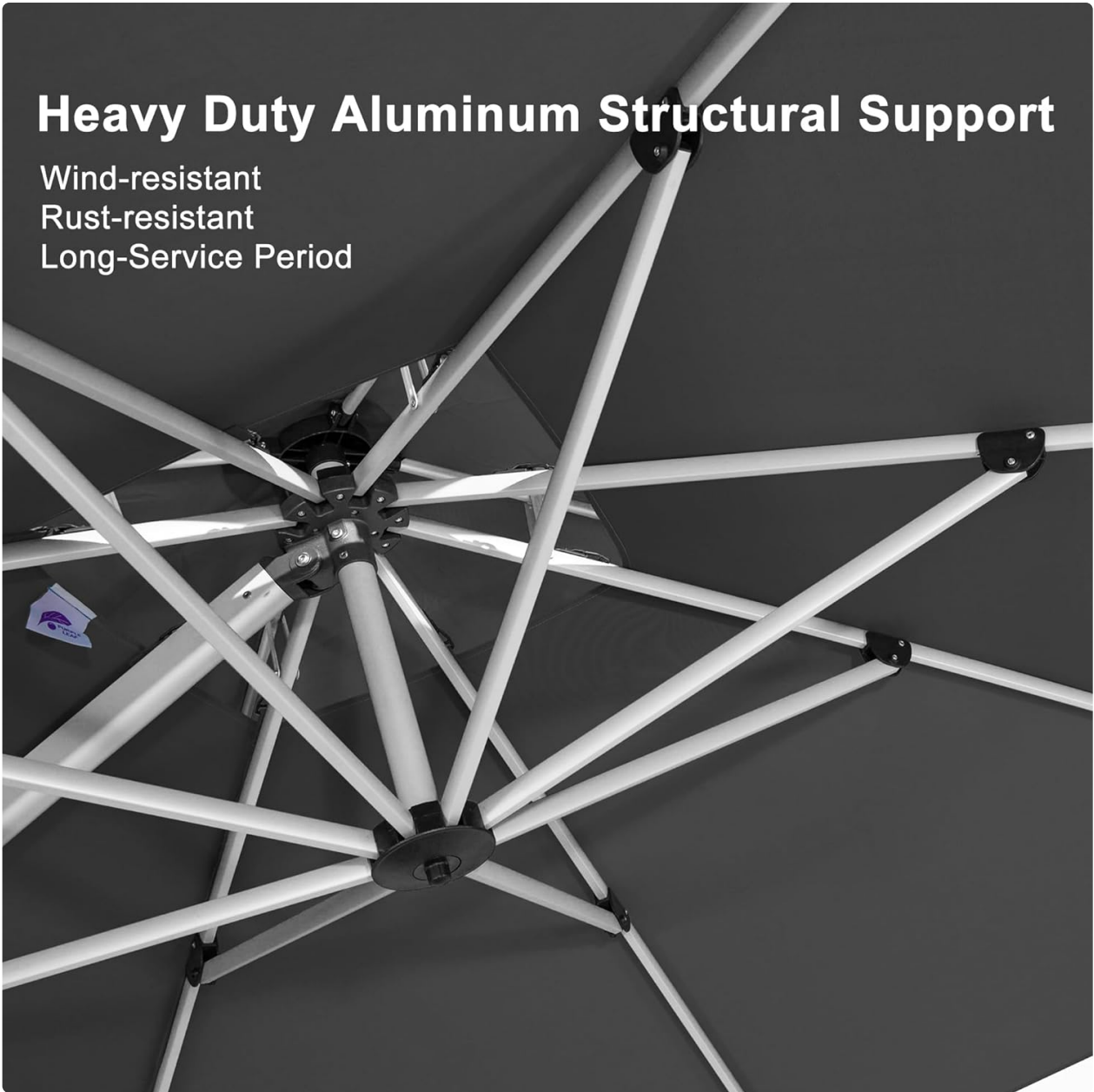
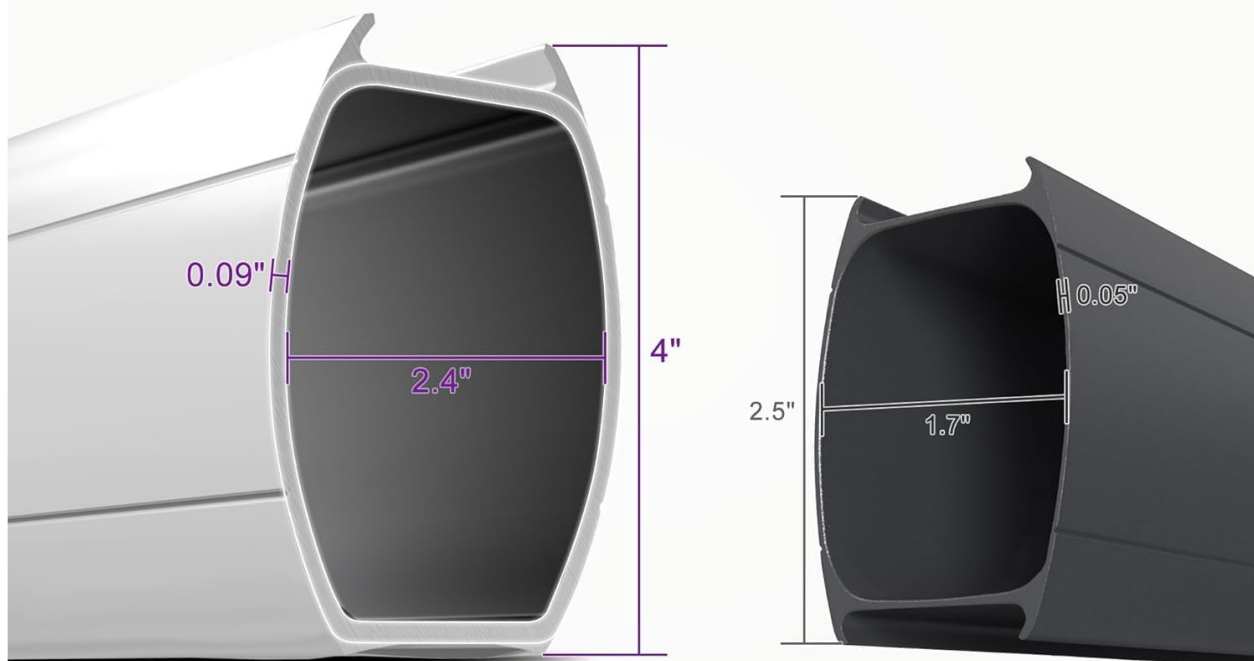


Image: A close-up of the underside of the umbrella canopy, revealing the heavy-duty aluminum structural support and ribs, designed for wind and rust resistance and long service life.

# Aviation Grade All Aluminum Umbrella Pole

**35%** Increase in Post, Withstands Winds up to **30** Mph.



**PURPLE LEAF**

**OTHERS**

Image: A cross-section comparison showing the 'Aviation Grade All Aluminum Umbrella Pole' from PURPLE LEAF, which is 4 inches wide, compared to a narrower 2.4-inch pole from other brands, indicating a 35% increase in post width for better wind resistance (up to 30 mph).

## 4.3 Storage

When not in use or during periods of strong winds, it is recommended to close the umbrella. For long-term storage, especially during off-season, consider purchasing a dedicated umbrella cover to protect it from elements. Ensure the umbrella is clean and dry before covering or storing.

# Shockproof Design

Embedded springs help protect umbrella ribs when falling.



Image: A close-up illustrating the 'Shockproof Design' with embedded springs inside the umbrella ribs, designed to protect the ribs if the umbrella falls or experiences impact.

## 5. TROUBLESHOOTING

---

### 5.1 Umbrella Not Opening/Closing Smoothly

- Check for any obstructions in the canopy or crank mechanism.
- Ensure the crank handle is properly engaged and not stripped.
- Lubricate moving parts with a silicone-based spray if friction is detected.

### 5.2 Umbrella Instability

- Verify that the base is adequately weighted for the umbrella size. A heavy-duty base filled with sand and/or water is crucial for stability.
- Ensure all bolts and fasteners connecting the umbrella pole to the base are securely tightened.
- Always close the umbrella in high winds to prevent damage or tipping.

### 5.3 Damaged Components

If any part of your umbrella arrives damaged or becomes damaged during use, please contact PURPLE LEAF customer service for assistance. They can provide replacement parts and guidance on repairs.

## 6. SPECIFICATIONS

---

Feature	Detail
Product Dimensions	120 x 120 x 120 inches (approx. 10' x 10' x 10' when closed/folded)
Canopy Size	10' x 13' (Rectangle)
Item Weight	63.8 pounds
Brand	PURPLE LEAF
Color	Grey
Canopy Material	240/gsm Yarn-Dyed Polyester Fabric
Frame Material	Alloy Steel, Aluminum
Shaft Material	Steel, Alloy Steel, Aluminum
Special Features	Fade Resistant, Heavy Duty Fabric, UV Resistant, Vented, Waterproof, Windproof, Water Repellent
Recommended Use	Patio, Garden, Deck, Pool

## 7. WARRANTY AND SUPPORT

---

### 7.1 Warranty Information

The high-quality 240/gsm yarn-dyed polyester fabric canopy comes with a 3-year warranty against fading. For specific details regarding the full product warranty, please refer to the warranty card included with your purchase or contact customer support.

### 7.2 Customer Support

For any questions, concerns, or assistance with your PURPLE LEAF patio umbrella, please contact our customer service team. Our representatives are available to help with assembly, troubleshooting, replacement parts, and general inquiries.

You can visit the official PURPLE LEAF store for more information and contact options: [PURPLE LEAF Store](#)