

Manuals+

[Q & A](#) | [Deep Search](#) | [Upload](#)

manuals.plus /

- › [PURPLE LEAF](#) /
- › [PURPLE LEAF 10' x 13' Rectangular Cantilever Patio Umbrella Instruction Manual](#)

PURPLE LEAF 10' x 13' Rectangular Cantilever Patio Umbrella

PURPLE LEAF 10' x 13' Rectangular Cantilever Patio Umbrella Instruction Manual

Model: 10' x 13' Rectangular Cantilever Patio Umbrella

1. INTRODUCTION

This manual provides detailed instructions for the assembly, operation, maintenance, and care of your PURPLE LEAF 10' x 13' Rectangular Cantilever Patio Umbrella. Please read all instructions carefully before assembly and use to ensure proper function and longevity of your product.

2. SAFETY INFORMATION

- Always close the umbrella during strong winds, heavy rain, or other severe weather conditions to prevent damage or injury.
- Ensure the umbrella base is adequately weighted and stable before opening the canopy. An unstable base can lead to the umbrella tipping over.
- Keep children and pets away from the umbrella during assembly and operation.
- Do not hang objects from the umbrella frame or ribs.
- Regularly inspect all components for wear, damage, or loose connections. Do not use the umbrella if any parts are damaged.

3. PACKAGE CONTENTS

Verify that all components are present before beginning assembly. If any parts are missing or damaged, please contact customer support.

- Umbrella Canopy (10' x 13' Rectangular)
- Main Pole Assembly
- Cantilever Arm
- Crank Handle Mechanism
- Base Tube

- Hardware Pack (bolts, washers, nuts, tools)

Note: The umbrella base is NOT included and must be purchased separately. Recommended bases include water tank bases (e.g., PURPLE LEAF DY1150), anchor ground bases, or steel plate bases.

4. SETUP INSTRUCTIONS

Assembly typically requires two adults. Follow these steps for proper setup:

1. **Unpack Components:** Carefully remove all parts from the packaging and lay them out on a clean, flat surface. Check against the package contents list.
2. **Assemble the Base (Sold Separately):** If using a water-fillable base, fill it with water or sand according to its instructions to ensure maximum stability. For other base types, ensure they are securely positioned and weighted.
3. **Attach Base Tube to Base:** Secure the umbrella's base tube to your chosen umbrella base using the provided hardware. Ensure all bolts are tightened. This upgraded base tube weighs 14 lbs, enhancing stability.
4. **Connect Main Pole:** Insert the main pole assembly into the base tube. Secure it with the appropriate locking mechanisms or bolts. The aviation-grade all-aluminum pole is 4 inches wide for enhanced wind resistance.
5. **Attach Cantilever Arm and Canopy:** Carefully attach the cantilever arm, which holds the umbrella canopy, to the main pole. Follow the specific instructions in your hardware pack for securing this connection.
6. **Final Checks:** Before operating, ensure all connections are tight and the umbrella is stable.

Heavy Duty Aluminum Structural Support

Wind-resistant
Rust-resistant
Long-Service Period

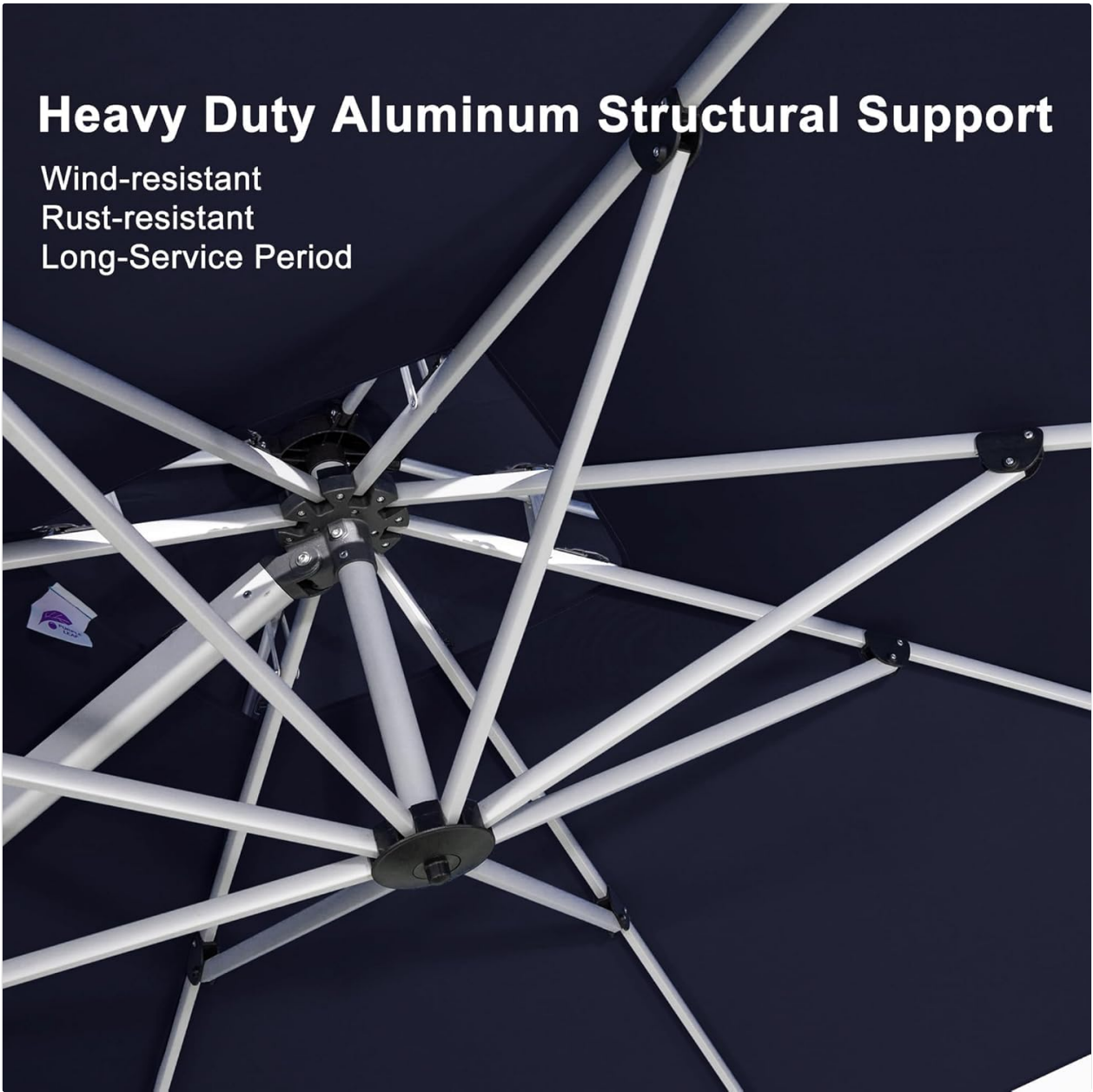


Image: Umbrella dimensions and height. Note: Base is sold separately.

PURPLE LEAF Outdoor Cantilever Umbrella

Enjoy your outdoor life



Image: Illustration of umbrella height and angle adjustments.

Product Dimensions

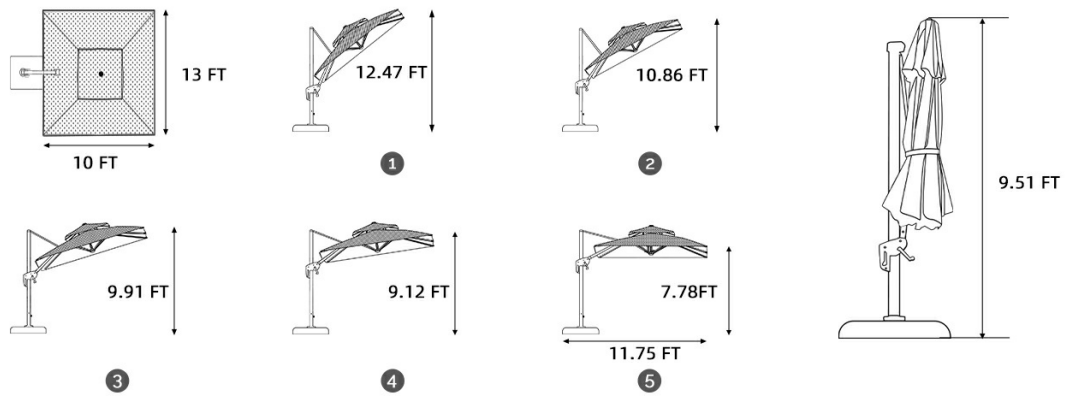


Image: Diagram showing the 360-degree rotation capability.

5. OPERATING INSTRUCTIONS

Your PURPLE LEAF cantilever umbrella features a user-friendly crank system and multiple adjustment options.

- 1. Opening the Umbrella:** Turn the crank handle clockwise to extend the canopy. Continue until the canopy is fully open and taut.
- 2. Closing the Umbrella:** Turn the crank handle counter-clockwise to retract the canopy. Ensure the canopy is fully closed and secured before leaving it unattended, especially in windy conditions.
- 3. Adjusting Tilt Angle:** The umbrella offers 6 height and angle adjustments. Use the handle design and locking mechanism on the main pole to select your desired tilt. Securely lock the position before use.
- 4. 360-Degree Rotation:** To change the shading area, use the foot pedal or rotation mechanism at the base of the pole. Depress or unlock the mechanism, rotate the umbrella to the desired position, and then lock it in place.



Image: Aluminum crank handle for opening, closing, and adjusting the umbrella.

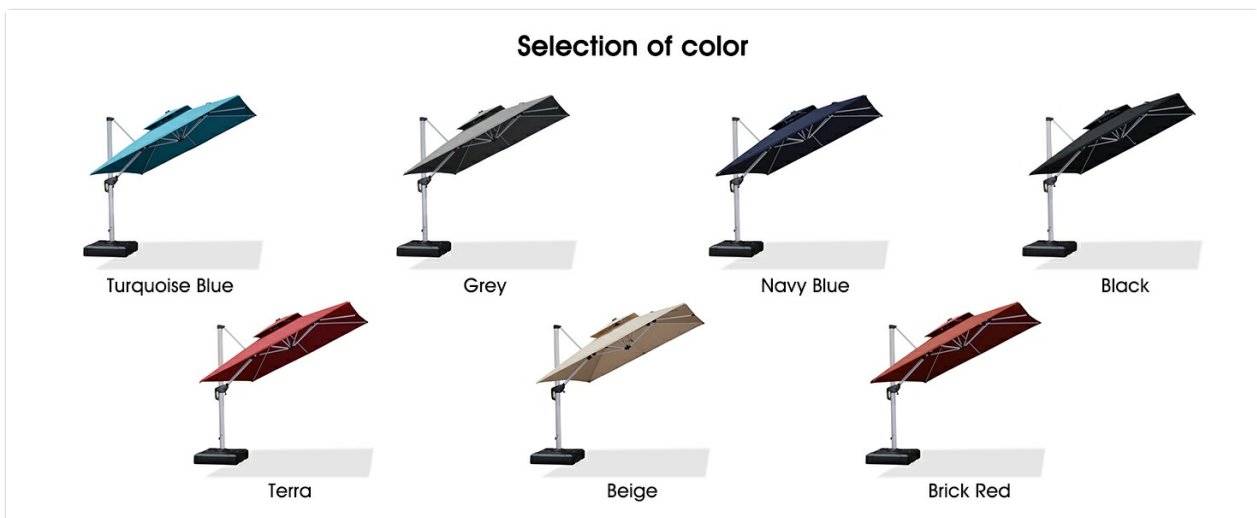


Image: Detailed view of the crank system operation.

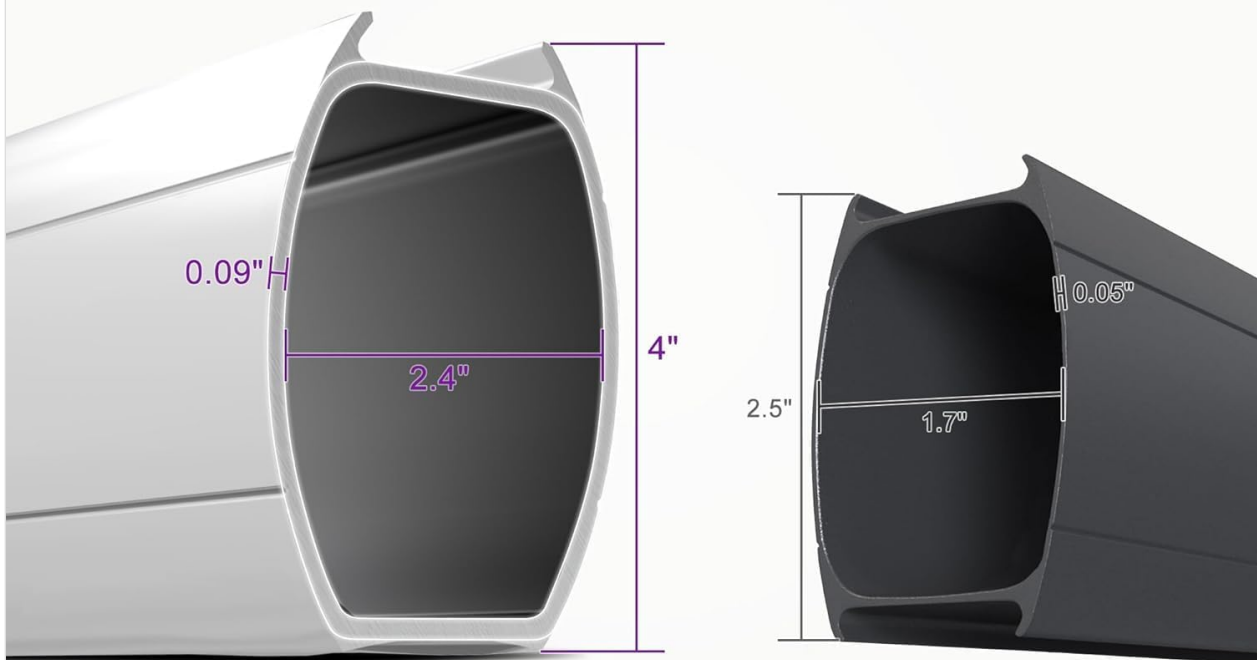
6. MAINTENANCE

Proper maintenance will extend the life and appearance of your umbrella.

- **Cleaning the Canopy:** The 240/gsm yarn-dyed polyester fabric is water-repellent and fade-resistant. Clean the canopy regularly with mild soap and water. Rinse thoroughly and allow to air dry completely before closing or storing. Do not use harsh chemicals or abrasive cleaners.
- **Frame Care:** The all-aluminum pole and heavy-duty ribs are anti-oxidation spray painted. Wipe down the frame with a damp cloth to remove dirt and debris.
- **Protection:** To protect the umbrella from environmental elements and prolong its lifespan, it is highly recommended to use a compatible umbrella cover when not in use or during adverse weather. (Search for PURPLE LEAF Cover).
- **Storage:** During off-season or extended periods of non-use, store the umbrella in a dry, protected area, preferably with a cover.

Aviation Grade All Aluminum Umbrella Pole

35% Increase in Post, Withstands Winds up to **40** Mph.



PURPLE LEAF

OTHERS

Image: Features of the 240/gsm premium yarn-dyed fabric.

7. TROUBLESHOOTING

If you encounter issues with your umbrella, refer to the following common solutions:

- **Umbrella not opening/closing smoothly:** Check for any obstructions in the canopy or crank

mechanism. Ensure the crank handle is properly engaged. Apply a silicone-based lubricant to moving parts if necessary.

- **Umbrella feels unstable:** Verify that the base is adequately weighted with sand or water. Ensure all bolts connecting the pole to the base are securely tightened. Always close the umbrella in windy conditions.
- **Canopy not staying tilted:** Ensure the tilt locking mechanism is fully engaged after adjusting the angle.

For persistent issues or further assistance, please contact PURPLE LEAF customer support.

8. SPECIFICATIONS

| Feature | Detail |
|--------------------|--|
| Product Dimensions | 156 x 156 x 120 inches (13' x 13' x 10' approx.) |
| Canopy Size | 10' x 13' Rectangular |
| Item Weight | 63.8 pounds |
| Brand | PURPLE LEAF |
| Color | Navy Blue |
| Canopy Material | 240/gsm Yarn-Dyed Polyester Fabric |
| Frame Material | Alloy Steel, Aluminum (Aviation Grade) |
| Special Features | Fade Resistant, Heavy Duty Fabric, UV Resistant (UV 50+), Vented, Waterproof, Windproof, Water Repellent |
| Rotation | 360-degree |
| Tilt Adjustment | 6 height and angle options |

9. OFFICIAL PRODUCT VIDEOS

If official product videos from the seller were available, they would be embedded here to provide visual guidance on assembly, operation, or features. Videos would be limited to a maximum width of 420px for optimal viewing.

10. WARRANTY INFORMATION

For detailed warranty information regarding your PURPLE LEAF 10' x 13' Rectangular Cantilever Patio Umbrella, please refer to the warranty card included with your purchase or visit the official PURPLE LEAF website. Warranty terms and conditions may vary.

11. CUSTOMER SUPPORT

If you have any questions, require assistance with assembly, or need to report a missing or damaged part,

please contact PURPLE LEAF customer support. You can typically find contact information on the product packaging, the official PURPLE LEAF website, or through your retailer.

For online inquiries, visit the [PURPLE LEAF Store on Amazon](#).