



[Manuals.plus](#) /

› [Pipishell](#) /

› Pipishell Full Motion TV Wall Mount Instruction Manual for 37-70 Inch LCD LED TVs

## Pipishell B07ZKRLDM2

# Pipishell Full Motion TV Wall Mount Instruction Manual

Model: B07ZKRLDM2

### INTRODUCTION

This manual provides detailed instructions for the safe and proper installation, operation, and maintenance of your Pipishell Full Motion TV Wall Mount. Please read all instructions carefully before beginning installation and retain this manual for future reference.

### IMPORTANT SAFETY INFORMATION

**WARNING:** Failure to read and follow all instructions can result in personal injury, property damage, or voiding of your warranty. The manufacturer is not liable for damage or injury caused by incorrect assembly or use.

- Ensure the mounting surface can safely support the combined weight of the mount and your TV.
- This product is designed for installation into wooden studs, solid concrete, or brick walls. Do not install into drywall alone.
- Do not exceed the maximum load capacity of 60 kg (132 lbs).
- Always use a stud finder to locate wall studs accurately.
- Use appropriate safety gear during installation, including eye protection.
- Keep children and pets away during installation.
- This product has undergone rigorous safety testing to American UL safety standards, ensuring durability and earthquake resistance.

### PACKAGE CONTENTS

Verify that all components are present and undamaged before installation. If any parts are missing or damaged,

contact customer service immediately.



*Detailed diagram of the Pipishell full motion TV wall mount, highlighting its components and features. This includes six arms for enhanced stability, compatibility with 37-70 inch TVs, a maximum load capacity of 60kg (132 lbs), and the product's own weight of 6.37kg. The diagram also indicates a 3-in-1 panel design for safety.*

The package includes all necessary hardware for installation, along with a Japanese instruction manual. For English instructions, please refer to this document.

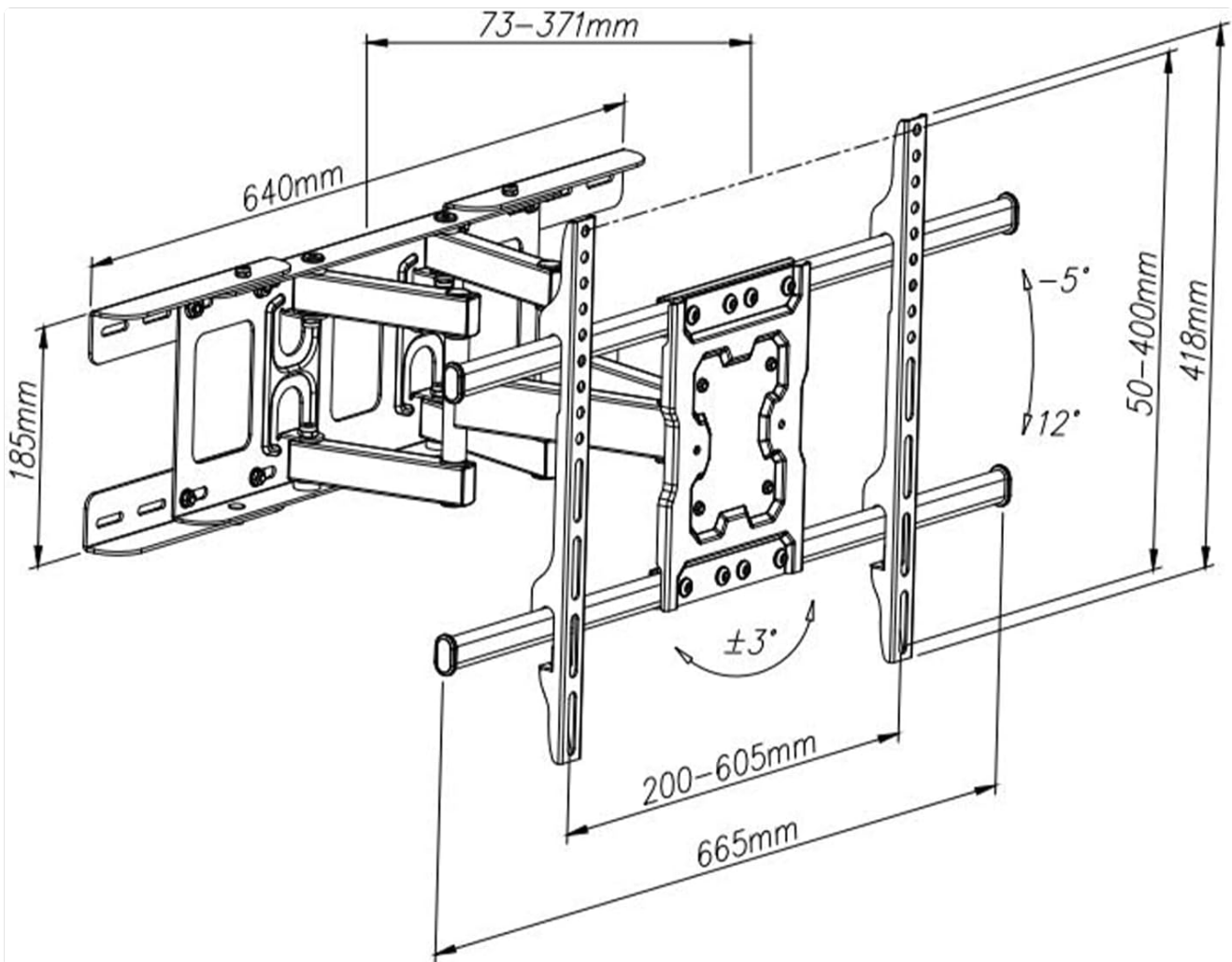
## SPECIFICATIONS

<b>Brand</b>	Pipishell
<b>Model Number</b>	B07ZKRLDM2
<b>Mounting Type</b>	Wall Mount
<b>Movement Type</b>	Full Motion (Swivel, Tilt)
<b>Material</b>	Cold-rolled Steel
<b>Color</b>	Black
<b>Compatible TV Sizes</b>	37 - 70 inches
<b>Maximum Load Capacity</b>	60 kg (132 lbs)
<b>VESA Compatibility</b>	Up to 600x400mm
<b>Distance from Wall</b>	72 - 398 mm (2.8 - 15.7 inches)
<b>Tilt Angle</b>	+10° / -10°

Swivel Angle (Wall Plate)	±60°
Swivel Angle (TV Plate)	±3°

<p>✓ 壁面のタイプ</p>  <p>木間柱    コンクリート</p>	<p>✓ テレビサイズ</p>  <p>耐荷重: 60kg サイズ: 37-70インチ</p>	<p>✓ VESA規格</p>  <p>最大: 600X400mm 最小: 200X100mm</p>
--	--	--

This chart illustrates the VESA mounting patterns supported by the wall mount. VESA refers to the standard distance between the four screw holes on the back of your TV, measured horizontally and vertically in millimeters. Ensure your TV's VESA pattern matches one of the listed dimensions for proper installation.



This technical drawing provides precise dimensions of the wall mount in millimeters. It illustrates the overall width (640mm), height (418mm), and the adjustable distance from the wall (73-371mm). It also shows the VESA mounting range (200-605mm horizontally, 50-400mm vertically) and the tilt/swivel capabilities.

## SETUP AND INSTALLATION

Before installation, ensure you have the necessary tools (e.g., drill, stud finder, level, screwdriver) and that your wall type is suitable for mounting. This mount is designed for wood stud, solid concrete, or brick walls.

### Pre-Installation Check:

1. **Check TV Compatibility:** Verify your TV's size (37-70 inches) and VESA pattern (up to 600x400mm).
2. **Check Wall Type:** Identify if your wall is wood stud, solid concrete, or brick.
3. **Weight Capacity:** Confirm your TV's weight does not exceed 60 kg (132 lbs).

### Installation Steps (Overview):

1. **Attach TV Brackets:** Secure the vertical brackets to the back of your TV using the provided screws and spacers that match your TV's VESA pattern.
2. **Mark Wall Drilling Points:** Position the wall plate on your desired location, use a level to ensure it's straight, and mark the drilling points for the lag bolts.
3. **Drill Pilot Holes:** Drill pilot holes into the wall studs or concrete/brick using the recommended drill bit size.
4. **Mount Wall Plate:** Secure the wall plate to the wall using the lag bolts and washers. Ensure it is firmly attached.
5. **Hang TV:** Carefully lift your TV with the attached brackets and hook it onto the wall plate.
6. **Secure TV:** Fasten the safety screws or locking mechanisms on the TV brackets to prevent accidental dislodgement.

## 取付超簡単!



手順1  
ブラケット取り付け



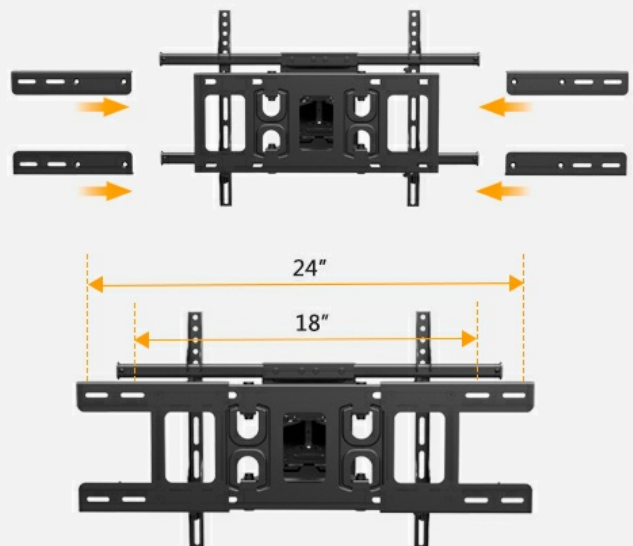
手順2  
底板取り付け



手順3  
テレビかける

### 多サイズ対応

延長レールで18"/24"木間柱にも対応  
ご注意：金具を壁に取り付けるネジのサイズはM8x60mmです



This image illustrates the wall mount securely installed on a wall, demonstrating its compatibility with standard wooden wall studs spaced at 16, 18, or 24 inches apart. Proper installation into wall studs is essential for the stability and safety of the mounted television.

# 安定性抜群の壁かけ金具

16" 18" 24"の木間柱に対応



*This image depicts the installation process, showing a couple attaching a TV to the wall mount. It suggests a quick installation time and highlights the product's 12-month quality guarantee.*

For detailed step-by-step instructions, refer to the included Japanese manual or contact customer support.

## OPERATING INSTRUCTIONS (ADJUSTMENTS)

The full motion design allows for flexible viewing angles. Adjustments should be made carefully to avoid damage to the TV or mount.

- **Extend/Retract:** Gently pull or push the TV to adjust its distance from the wall (72mm to 398mm).
- **Tilt Adjustment:** Loosen the tilt knobs on the TV brackets, adjust the screen to your desired vertical angle (up to +10°/-10°), and then tighten the knobs to secure.
- **Swivel Adjustment:** The arm assembly allows for a  $\pm 60^\circ$  swivel from the wall. The TV mounting plate itself can also swivel  $\pm 3^\circ$  horizontally for fine-tuning.



This diagram illustrates the various adjustment options for the TV wall mount. It shows the adjustable distance from the wall, ranging from 72mm to 398mm. The mount allows for a horizontal swivel of  $\pm 3$  degrees, a vertical tilt of  $\pm 10$  degrees, and the arm itself can swivel  $\pm 60$  degrees, providing flexible viewing angles.

## MAINTENANCE

Regular maintenance ensures the longevity and safe operation of your TV wall mount.

- **Periodic Inspection:** Periodically check all screws and connections to ensure they are tight and secure. Retighten if necessary.
- **Cleaning:** Clean the mount with a soft, dry cloth. Avoid abrasive cleaners or solvents that could damage the finish.
- **Cable Management:** Utilize the included cable management features to keep cables tidy and prevent strain.

## TROUBLESHOOTING

Problem	Possible Cause	Solution
TV is not level after installation.	Wall plate not level, or fine-tune adjustment needed.	Check the wall plate with a level and adjust if possible. Use the $\pm 3^\circ$ horizontal swivel on the TV plate for minor leveling adjustments.
Mount feels unstable or wobbly.	Loose screws, incorrect wall type, or exceeding weight capacity.	Ensure all mounting screws are securely tightened. Verify installation into studs or solid concrete. Confirm TV weight is within limits. If issues persist, consult a professional installer.
Difficulty adjusting tilt or swivel.	Adjustment knobs/bolts are too tight.	Loosen the relevant knobs or bolts slightly before attempting to adjust. Do not force movement. Retighten after adjustment.
Missing parts.	Packaging error.	Contact customer service immediately for replacement parts.

## WARRANTY AND SUPPORT

This Pipishell TV Wall Mount comes with a **one-year quality guarantee** from the date of purchase.

If you encounter any problems, have questions, or require assistance with this product, please do not hesitate to contact our customer service. We are committed to providing support and resolving any issues you may have.

For customer service inquiries, please refer to the contact information provided with your purchase or on the official Pipishell website.