



[Manuals.plus](#) /

› [Wofi](#) /

› WOFI 6014.10.24.9000 Villa Pendant Lamp User Manual

Wofi 6014.10.24.9000

WOFI 6014.10.24.9000 Villa Pendant Lamp User Manual

Model: 6014.10.24.9000 | Brand: Wofi

1. INTRODUCTION

Thank you for choosing the WOFI 6014.10.24.9000 Villa Pendant Lamp. This manual provides essential information for the safe installation, operation, and maintenance of your new lighting fixture. Please read these instructions carefully before beginning installation and retain them for future reference.



Image 1: WOFI Villa Pendant Lamp (Model 6014.10.24.9000)

This image shows the complete pendant lamp with its chrome-finished bar and multiple spherical, smoked glass shades, suspended from a rectangular ceiling plate.

2. SAFETY INFORMATION

WARNING: Electrical installation should only be performed by a qualified electrician. Always disconnect power at the main circuit breaker before installation, maintenance, or bulb replacement.

- Ensure the mounting surface can support the weight of the fixture.
- Do not connect the fixture to a power source other than 230 Volts AC.
- Avoid touching bulbs with bare hands; use a clean cloth or gloves.
- Keep packaging materials out of reach of children.
- This product is for indoor use only.
- The fixture is rated Class 1 protection, meaning it must be earthed.

3. PACKAGE CONTENTS

Carefully unpack the box and ensure all components are present and undamaged. If any parts are missing or damaged, do not attempt to assemble or install the fixture. Contact your retailer for assistance.

- Pendant lamp fixture (main body with ceiling plate, suspension cables, and light bar)
- Glass shades (10 pieces)
- Light bulbs (10 pieces, included)
- Mounting hardware (screws, wall plugs, terminal block)
- Instruction manual

4. SETUP AND INSTALLATION

Before you begin: Ensure the power supply to the installation area is switched off at the main circuit breaker. It is recommended to have two people for installation.

1. **Prepare the Ceiling:** Mark the drilling points on the ceiling for the mounting bracket, ensuring they align with the fixture's ceiling plate.
2. **Install Mounting Bracket:** Drill holes and insert wall plugs. Secure the mounting bracket to the ceiling using the provided screws.
3. **Electrical Connection:** Connect the household electrical wires to the terminal block on the fixture. Ensure correct polarity (Live, Neutral, Earth). The fixture is Class 1 and requires an earth connection.
4. **Attach Ceiling Plate:** Carefully lift the fixture and attach the ceiling plate to the mounting bracket, securing it with the provided screws.
5. **Adjust Suspension Height:** The suspension cables can be adjusted to your desired height. Follow the mechanism provided on the fixture to shorten or lengthen the cables.
6. **Install Glass Shades:** Carefully screw or attach each of the 10 glass shades onto the lamp holders on the light bar.
7. **Insert Bulbs:** Screw the included light bulbs into the lamp holders. Do not overtighten.

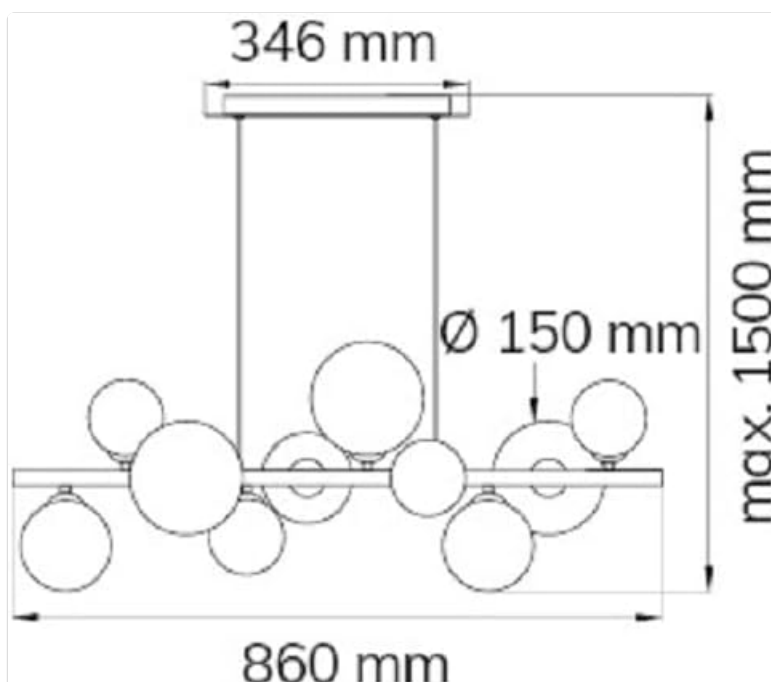


Image 2: Installation Dimensions

This diagram illustrates the dimensions of the pendant lamp, including the ceiling plate (346 mm wide), the overall length of the light bar (860 mm), and the maximum adjustable suspension height (1500 mm). The spherical shades have a diameter of 150 mm.

5. OPERATING INSTRUCTIONS

Once installed, the WOFI Villa Pendant Lamp operates via a standard wall switch connected to its power supply.

- **Turning On/Off:** Flip the wall switch to turn the lamp on or off.
- **Dimming:** Please note that this fixture has a non-adjustable intensity and is not dimmable. It will operate at full brightness when switched on.

6. MAINTENANCE

- **Cleaning:** Always disconnect power before cleaning. Use a soft, dry, or slightly damp cloth to wipe the fixture and glass shades. Do not use abrasive cleaners or solvents, as these can damage the finish.
- **Bulb Replacement:**
 1. Ensure the power is off at the main circuit breaker.
 2. Allow bulbs to cool completely before touching.
 3. Carefully unscrew the old bulb from its socket.
 4. Screw in a new bulb of the correct type and wattage (refer to specifications).
 5. Do not exceed the maximum wattage specified for the fixture.

7. TROUBLESHOOTING

Problem	Possible Cause	Solution
Lamp does not light up.	<ul style="list-style-type: none">◦ No power to the fixture.◦ Loose wiring connection.◦ Faulty bulb.	<ul style="list-style-type: none">◦ Check circuit breaker and wall switch.◦ Ensure all wiring connections are secure (power off first).◦ Replace bulb with a new one.
Flickering light.	<ul style="list-style-type: none">◦ Loose bulb.◦ Incorrect bulb type.	<ul style="list-style-type: none">◦ Tighten bulb.◦ Ensure correct bulb type and wattage are used.

If the problem persists after attempting these solutions, please consult a qualified electrician.

8. SPECIFICATIONS

Brand	Wofi
-------	------

Model Number	6014.10.24.9000
Product Type	Pendant Lamp
Material	Plastic
Color	Villa (Black/Chrome)
Style	Modern
Room Type	Living Room
Power Source	AC (Wechselstrom)
Voltage	230 Volts
Number of Light Sources	10
Number of Bulbs	10 (Bulbs included and replaceable)
Wattage	50 Watts (Total)
Luminous Efficacy	350 lm
Energy Label	F (New rating) - View EPREL Product Information Sheet
Mounting Type	Ceiling Mount
Protection Class	1
Dimmable	No (Non-adjustable intensity)



Image 3: Energy Label

This image displays the EU energy label, indicating an energy efficiency class of F for the product, with an energy consumption of 3 kWh/1000h. A QR code is present for more information, linking to the EPREL database.

9. WARRANTY AND SUPPORT

For warranty information, technical support, or replacement parts, please contact your retailer or the manufacturer directly. Keep your proof of purchase for any warranty claims.