



[Manuals.plus](#) /

› [Ideal Standard](#) /

› Ideal Standard T359601 Toilet Pack User Manual

## Ideal Standard T359601

# Ideal Standard T359601 Toilet Pack User Manual

Model: T359601

## INTRODUCTION

---

This manual provides essential information for the installation, operation, and maintenance of your Ideal Standard T359601 Toilet Pack. Please read these instructions carefully before beginning installation or use to ensure proper function and longevity of your product.

The T359601 Toilet Pack features a modern design, a revolutionary Aquablade flush system for optimal hygiene, and a durable Thermodur (urea) ultra-thin toilet seat with a removable soft-close mechanism. It is designed for wall-mounted installation.



Figure 1: Ideal Standard T359601 Toilet Pack with the lid open, showcasing its sleek design.

## SETUP AND INSTALLATION

---

The Ideal Standard T359601 Toilet Pack is designed for convenient wall-mounted installation. It comes with invisible fixings for a clean aesthetic.

### Pre-Installation Checks:

- Ensure you have all components: toilet bowl, ultra-thin toilet seat with soft-close mechanism, and invisible fixings.

- Verify that your wall structure is suitable for supporting a wall-mounted toilet and that the necessary plumbing connections (independent power supply) are in place.
- Refer to the technical drawing for precise dimensions and mounting points.

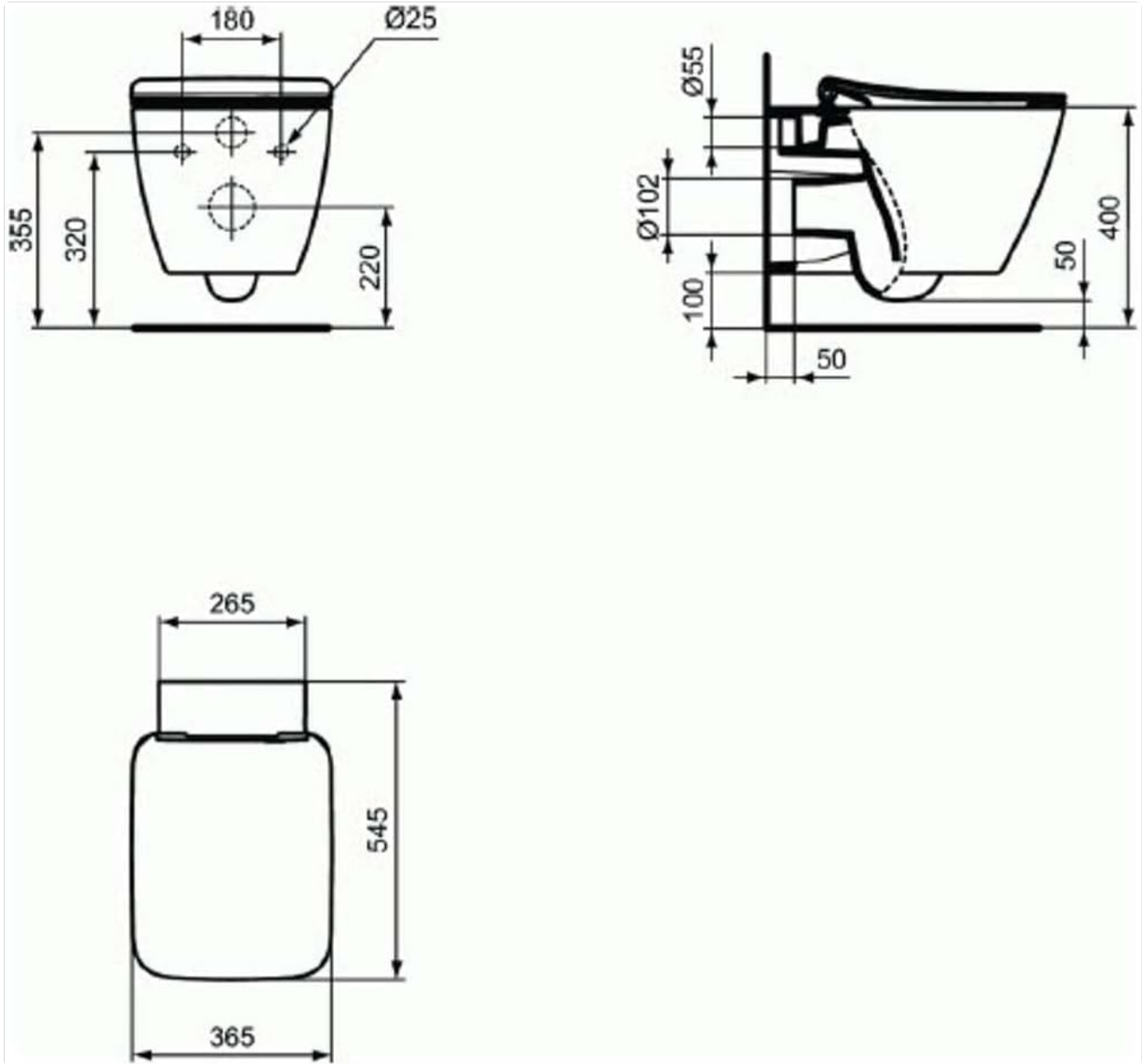


Figure 2: Technical drawing illustrating the dimensions and mounting points for the T359601 Toilet Pack. All measurements are in millimeters.

### Installation Steps (Summary):

1. Prepare the wall frame and plumbing according to local building codes and the product's technical specifications. The product is compatible with Ideal Standard Prosys 120 Universal Frame Support.
2. Mount the toilet bowl using the supplied invisible fixings. Ensure it is level and securely fastened.
3. Connect the water supply and waste pipe.
4. Install the ultra-thin toilet seat. The top-fixing design allows for easy attachment.
5. Perform a leak test by flushing the toilet multiple times.

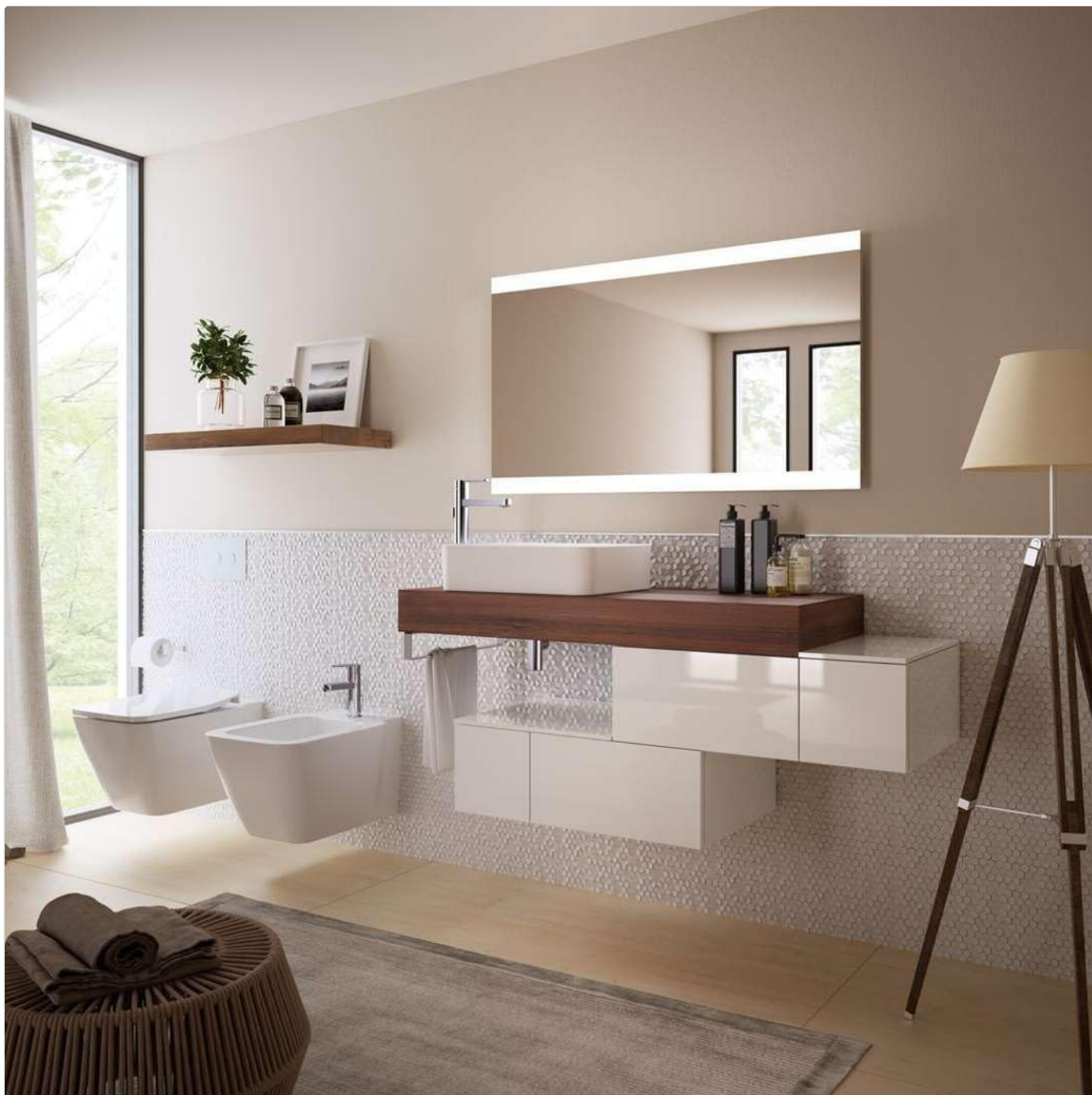


Figure 3: The T359601 Toilet Pack seamlessly integrated into a contemporary bathroom environment, demonstrating its wall-mounted installation.

## OPERATING INSTRUCTIONS

---

The Ideal Standard T359601 Toilet Pack is designed for simple and efficient operation.

### Flushing System:

- This toilet features the revolutionary **Aquablade flush system**. This system propels water from the top of the toilet bowl, ensuring over 90% of the surface is rinsed for superior hygiene.
- Activate the flush using the flush plate connected to your concealed cistern (not included with this pack).

### Soft-Close Toilet Seat:

- The toilet seat is equipped with a soft-close mechanism, preventing loud slams and reducing wear and tear. Gently push the seat or lid downwards, and it will close slowly and quietly on its own.
- The seat is also removable for easy cleaning. To remove, follow the instructions provided with the seat or gently pull

upwards on the seat near the hinges until it detaches.



Figure 4: Illustration of the soft-close mechanism of the toilet seat, showing its gentle closing action.

## **MAINTENANCE AND CARE**

---

Proper maintenance will ensure the longevity and pristine appearance of your Ideal Standard T359601 Toilet Pack.

### **Cleaning the Toilet Bowl (Vitreous China):**

- Use mild, non-abrasive cleaning agents. Avoid harsh chemicals, abrasive powders, or scouring pads, as these can damage the vitreous china surface.
- Regularly wipe down the exterior with a soft cloth and warm soapy water.
- For the interior, use a toilet brush with a suitable toilet cleaner.

### Cleaning the Toilet Seat (Thermodur Urea Plastic):

- The Thermodur (urea) plastic seat is durable but can be damaged by strong chemicals. Clean with warm water and a mild, non-abrasive soap.
- The seat is removable for thorough cleaning. Refer to the operating instructions for removal.
- Do not use abrasive cleaners, solvents, or disinfectants containing chlorine or formic acid, as these can cause discoloration or damage to the seat material.

## TROUBLESHOOTING

If you encounter issues with your Ideal Standard T359601 Toilet Pack, consider the following common troubleshooting steps:

- **Weak Flush:** Check the water supply to the cistern. Ensure the flush mechanism within the cistern is functioning correctly and that there are no obstructions in the bowl's rim or trapway.
- **Leaking:** Inspect all connections for tightness. Check the seal between the toilet bowl and the waste pipe. If the leak persists, consult a qualified plumber.
- **Toilet Seat Not Soft-Closing:** Ensure the soft-close hinges are clean and free of debris. If the mechanism is damaged, contact Ideal Standard customer support for replacement parts.
- **Unstable Toilet:** If the toilet feels loose on the wall, re-check the invisible fixings and ensure they are securely tightened. Do not overtighten.

For issues not resolved by these steps, it is recommended to contact a certified plumber or Ideal Standard customer service.

## SPECIFICATIONS

Key specifications for the Ideal Standard T359601 Toilet Pack:

Feature	Detail
Model Number	T359601
Brand	Ideal Standard
Color	White
Toilet Bowl Material	Vitreous China
Seat Material Type	Thermodur (Urea) Plastic
Installation Type	Wall mountable
Product Dimensions (L x W x H)	54 cm x 36 cm x 40 cm (21.26 x 14.17 x 15.75 inches)
Item Weight	25 Kilograms (55 pounds)
Flush System	Aquablade

Feature	Detail
Included Components	1 x hanging toilet pack (toilet bowl, toilet seat)
Power Source	Powered by hydraulic force (flush)

## WARRANTY AND SUPPORT

---

For information regarding the warranty of your Ideal Standard T359601 Toilet Pack, please refer to the warranty documentation provided at the time of purchase or visit the official Ideal Standard website. For technical support, spare parts, or service inquiries, please contact Ideal Standard customer service directly.