

[Manuals.plus](#) /

› [TP-Link](#) /

› TP-Link Deco M3W Hybrid Mesh Wi-Fi System User Manual

TP-Link Deco M3W

TP-Link Deco M3W Hybrid Mesh Wi-Fi System User Manual

Model: Deco M3W

PRODUCT OVERVIEW

The TP-Link Deco M3W is an add-on satellite unit designed to expand your existing TP-Link Deco Whole Home Mesh Wi-Fi system. It works seamlessly with other Deco units to eliminate Wi-Fi dead zones and provide a strong, consistent signal throughout your home.





Image: Front view of the TP-Link Deco M3W unit, showing its compact design and indicator lights for power, 2.4GHz, and 5GHz bands.

Key features include:

- Expands mesh Wi-Fi coverage by plugging into any standard outlet.
- Adds up to 1,600 sq. ft. of additional Wi-Fi coverage.
- Integrates into a whole-home network with seamless roaming.
- Supports parental controls when used with a Deco main unit.

WHAT'S IN THE BOX

The Deco M3W package typically includes the following components:

- Deco M3W Mesh Wi-Fi Extender Unit
- Power Supply Unit (PSU) - Integrated plug

SETUP GUIDE

The Deco M3W is designed for easy integration into an existing Deco mesh network. Ensure you have a main Deco unit (e.g., Deco M5, M4, M9 Plus) already set up and functioning.

1. **Download the Deco App:** If you haven't already, download the TP-Link Deco app from the App Store (iOS) or Google Play Store (Android). This app is essential for managing your Deco network.

2. **Plug In the Deco M3W:** Select an electrical outlet in an area where you want to extend Wi-Fi coverage. Plug the Deco M3W directly into the outlet. Ensure it is within range of your existing Deco network.
3. **Wait for Initialization:** The Deco M3W's LED indicator will light up. Wait for it to turn **pulsing blue**, indicating it is ready for setup.
4. **Add New Deco in App:** Open the Deco app on your smartphone or tablet. Tap the "Add" icon (usually a plus sign) or navigate to "More" > "Add a Deco".
5. **Follow On-Screen Instructions:** The app will guide you through the process of detecting and adding the Deco M3W to your existing mesh network. This typically involves confirming the model and waiting for the unit to connect.
6. **Placement Optimization:** The Deco app can help you find the optimal placement for your M3W unit. Look for the smart signal indicator on the device itself:
 - **White Solid:** Connected and network is available (Good signal).
 - **Red Solid:** Connected but network is unavailable (Poor signal or issue).
 - **Red Blinking:** Disconnected.



Image: The Deco M3W plugged into a wall outlet, illustrating the smart signal indicator and its different states (White Solid, Red Solid, Red Blinking).

Once successfully added, the Deco M3W will automatically join your mesh network, extending coverage with the same Wi-Fi name and password.

OPERATING YOUR DECO M3W

The Deco M3W operates as an integral part of your TP-Link Deco mesh Wi-Fi system. It extends your network coverage without requiring separate configuration once added.

Seamless Roaming

With the Deco M3W, your devices will automatically switch to the Deco unit with the strongest signal as you move around your home. This ensures a continuous and stable connection without manual intervention or Wi-Fi drops.

Seamless Roaming

One WiFi name, one password

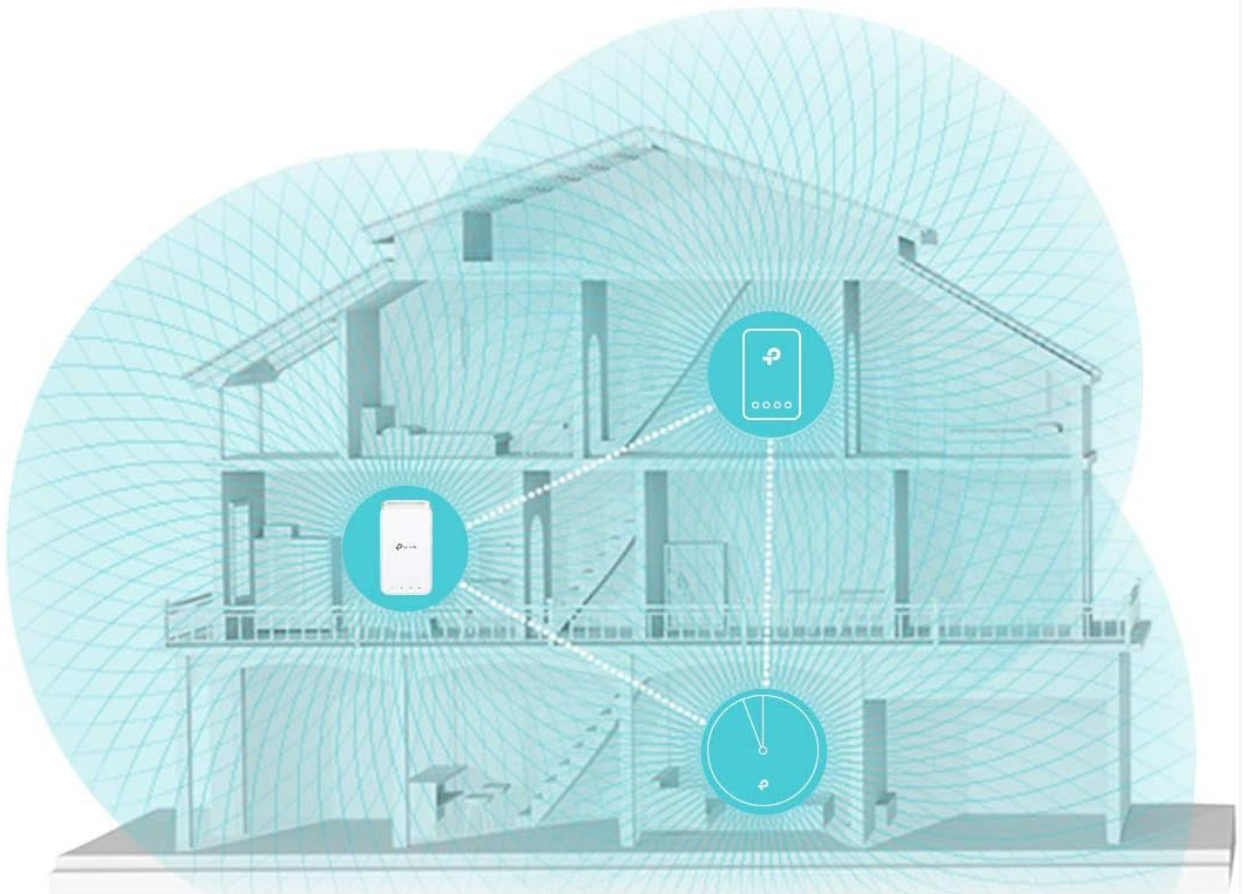


Image: A visual representation of seamless roaming, showing devices automatically connecting to the nearest Deco unit for optimal signal strength, all under one Wi-Fi network name.

Network Expansion

The Deco M3W is designed to work with various Deco models, including M5, M4, M9 Plus, and others, to create a unified mesh network. This allows for flexible expansion of your Wi-Fi coverage.

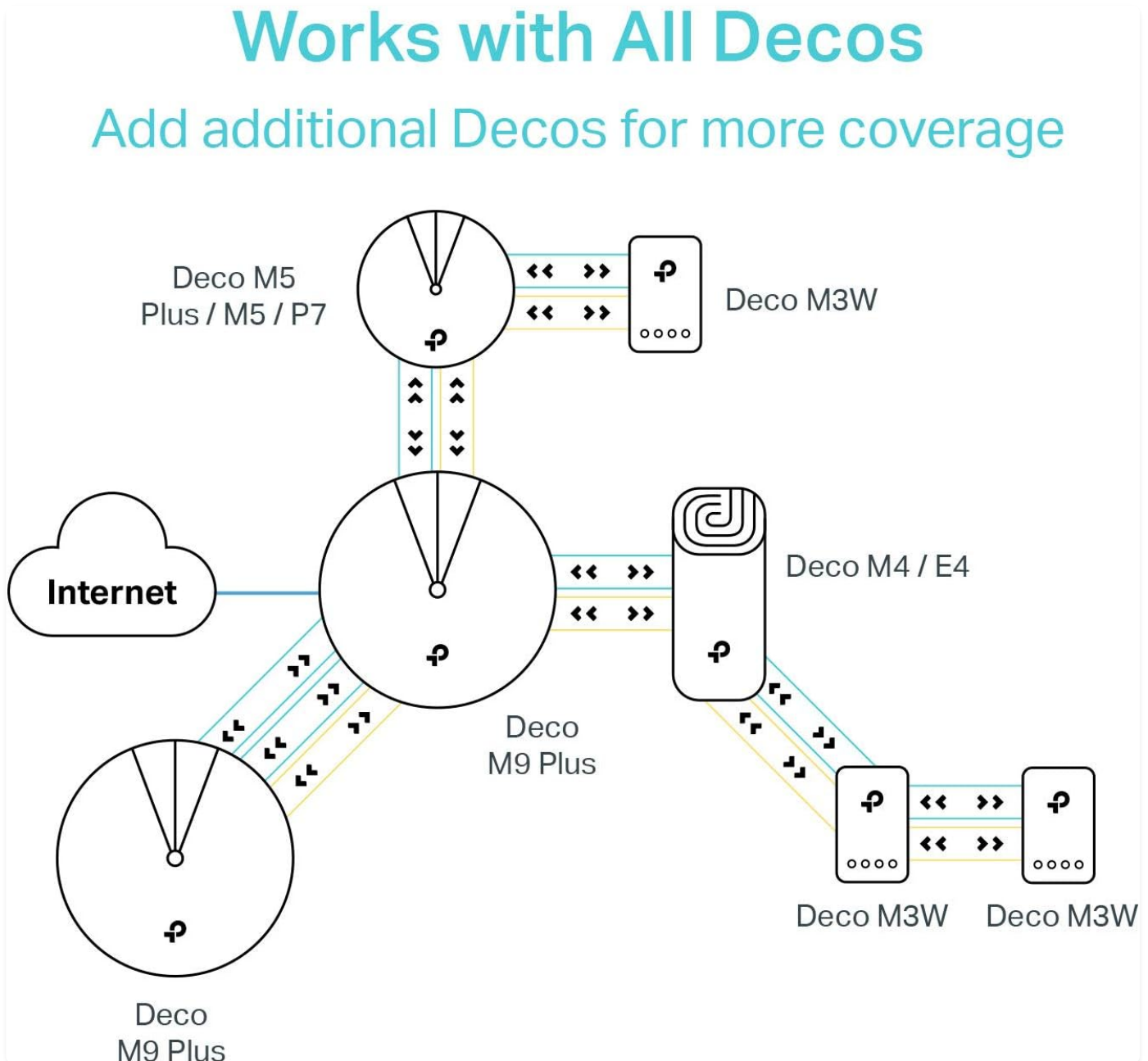


Image: An illustration demonstrating the compatibility of Deco M3W with various Deco main units (M5, M4, M9 Plus) to extend network coverage effectively.

Coverage Enhancement

Each Deco M3W unit can extend your Wi-Fi coverage by up to 1,600 square feet, helping to eliminate dead zones in larger homes or multi-story buildings.

Additional Coverage

Up to 1,600ft.²

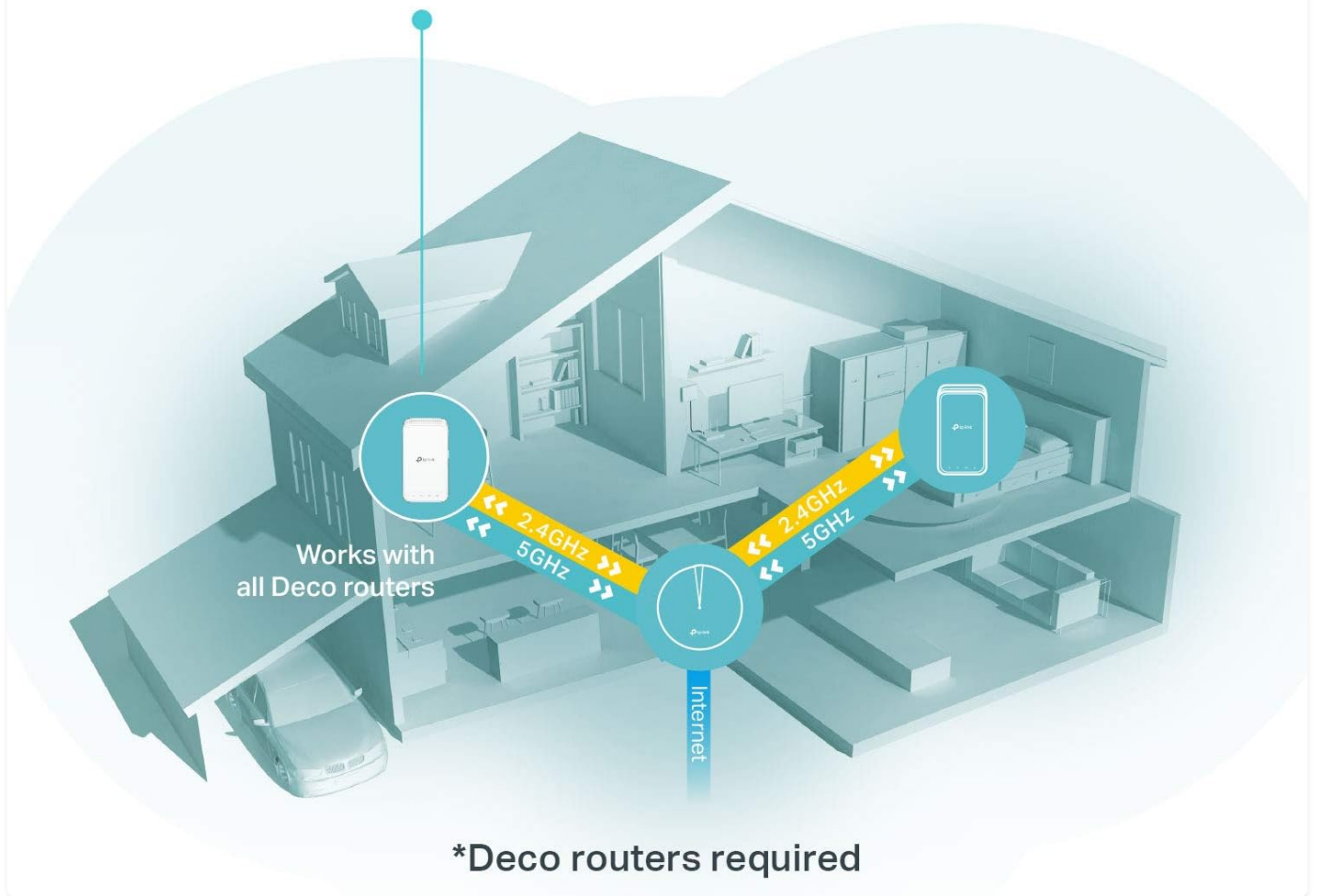


Image: A house diagram illustrating how the Deco M3W extends Wi-Fi signals from a main Deco unit to provide additional coverage, reaching up to 1,600 sq. ft.

MAINTENANCE

To ensure optimal performance and longevity of your Deco M3W unit:

- **Keep it Ventilated:** Ensure the unit is not covered or placed in an enclosed space that could restrict airflow.
- **Clean Gently:** Use a soft, dry cloth to clean the exterior of the device. Do not use liquid cleaners or aerosols.
- **Firmware Updates:** Regularly check for and install firmware updates via the Deco app. Updates often include performance improvements and security enhancements.
- **Avoid Extreme Conditions:** Do not expose the device to extreme temperatures, humidity, or direct sunlight.

TROUBLESHOOTING

If you encounter issues with your Deco M3W, try the following steps:

- **No Connection (Red Blinking LED):**
 - Ensure your main Deco unit is powered on and functioning correctly.
 - Try plugging the Deco M3W into a different electrical outlet, preferably closer to your main Deco unit, to check for signal strength.

- Restart the Deco M3W by unplugging it from the outlet for 10 seconds and then plugging it back in.

- **Poor Signal (Red Solid LED):**

- Relocate the Deco M3W closer to your main Deco unit or another Deco unit with a strong signal.
- Check for physical obstructions (thick walls, large appliances) that might be interfering with the signal.

- **Device Not Appearing in Deco App:**

- Ensure the Deco M3W is powered on and its LED is pulsing blue or solid white.
- Make sure your smartphone is connected to the Deco network.
- Try restarting the Deco app.
- If issues persist, perform a factory reset on the Deco M3W.

- **Factory Reset:**

To factory reset the Deco M3W, locate the Reset button on the side of the unit. With the unit powered on, use a paperclip or a thin object to press and hold the Reset button for approximately 1 second until the LED blinks red. The unit will then restart and return to its factory default settings, ready for re-setup.





Image: Side view of the Deco M3W, highlighting the small, recessed reset button.

SPECIFICATIONS

Feature	Detail
Model Name	Deco M3W
Product Dimensions	6.14 x 3.54 x 4.02 inches
Item Weight	7.8 ounces
Connectivity Technology	Wi-Fi
Wireless Communication Standard	802.11ac
Frequency Band Class	Dual-Band (2.4 GHz & 5 GHz)
Special Feature	WPS (Wi-Fi Protected Setup)
Recommended Uses	Home Wi-Fi Extension
Compatible Devices	Personal Computer, other Deco units

WARRANTY AND SUPPORT

For warranty information, technical support, and further assistance, please visit the official TP-Link website or refer to the documentation included with your product.

A digital version of the user guide can often be found on the product support page. For this model, a PDF user guide is available [here](#).

Legal Disclaimer

Maximum wireless transmission rates are the physical rates derived from IEEE standard 802.11 Specifications. Range and coverage specifications along with the number of connected devices were defined according to test results under normal usage conditions. Actual wireless transmission rate, wireless coverage, and number of connected devices are not guaranteed, and will vary as a result of 1) environmental factors, including building materials, physical objects and obstacles, 2) network conditions, including local interference, volume and density of traffic, product location, network complexity, and network overhead and 3) client limitations, including rated performance, location, connection quality, and client condition.