



[Manuals.plus](#) /

› [Alveus](#) /

› Alveus QUADRIX 50 Single Bowl Kitchen Sink User Manual

## Alveus 1103382

# Alveus QUADRIX 50 Single Bowl Kitchen Sink User Manual

Model: 1103382 | Color: Gold

## 1. INTRODUCTION

---

This user manual provides essential information for the installation, operation, and maintenance of your Alveus QUADRIX 50 single bowl kitchen sink. Designed with PVD stainless steel and a luxurious gold finish, this sink is a durable and elegant addition to any kitchen. Please read this manual thoroughly before installation and use to ensure proper function and longevity of your product.



Figure 1: Alveus QUADRIX 50 Single Bowl Kitchen Sink in Gold finish. This image shows the top-down view of the rectangular sink with its central drain opening, highlighting the polished gold surface.

## 2. SAFETY INSTRUCTIONS

---

- Always wear appropriate personal protective equipment (PPE) such as gloves and safety glasses during installation.
- Ensure all water supply lines are shut off before beginning installation to prevent water damage.
- Handle the sink with care to avoid scratches or damage to the PVD finish.
- If you are unsure about any step of the installation process, consult a qualified plumber.
- Do not use harsh chemicals or abrasive cleaning agents on the sink surface, as this can damage the finish.

## 3. PACKAGE CONTENTS

---

Verify that all components are present before beginning installation:

- Alveus QUADRIX 50 Single Bowl Kitchen Sink (PVD Stainless Steel, Gold Finish)
- Drain Assembly (3 1/2" with plug type stopper)
- Installation clips/hardware for undermount installation
- Instruction Manual (this document)

## 4. SETUP AND INSTALLATION

---

---

The Alveus QUADRIX 50 sink is designed for undermount installation. Ensure your base cabinet meets the minimum required width.

#### 4.1 Pre-Installation Checks

- **Cabinet Size:** A minimum base cabinet width of 600 mm (23.6 inches) is required to accommodate the sink.
- **Countertop Cutout:** Ensure the countertop has the correct cutout dimensions for an undermount sink. Refer to the technical drawing for precise measurements.
- **Tools Required:** Silicone sealant, drill, screwdriver, measuring tape, level, safety glasses, gloves.

#### 4.2 Installation Steps

1. Carefully position the sink underneath the countertop cutout.
2. Apply a continuous bead of silicone sealant around the rim of the sink where it will meet the underside of the countertop.
3. Secure the sink to the countertop using the provided mounting clips and screws. Tighten evenly to ensure a snug fit.
4. Install the drain assembly into the sink's drain opening. Apply plumber's putty or sealant as directed by the drain assembly instructions to ensure a watertight seal.
5. Connect the plumbing for the drain and, if applicable, the dishwasher/washing machine connection. Ensure all connections are tight and leak-free.
6. Allow the silicone sealant to cure completely before introducing water to the sink.

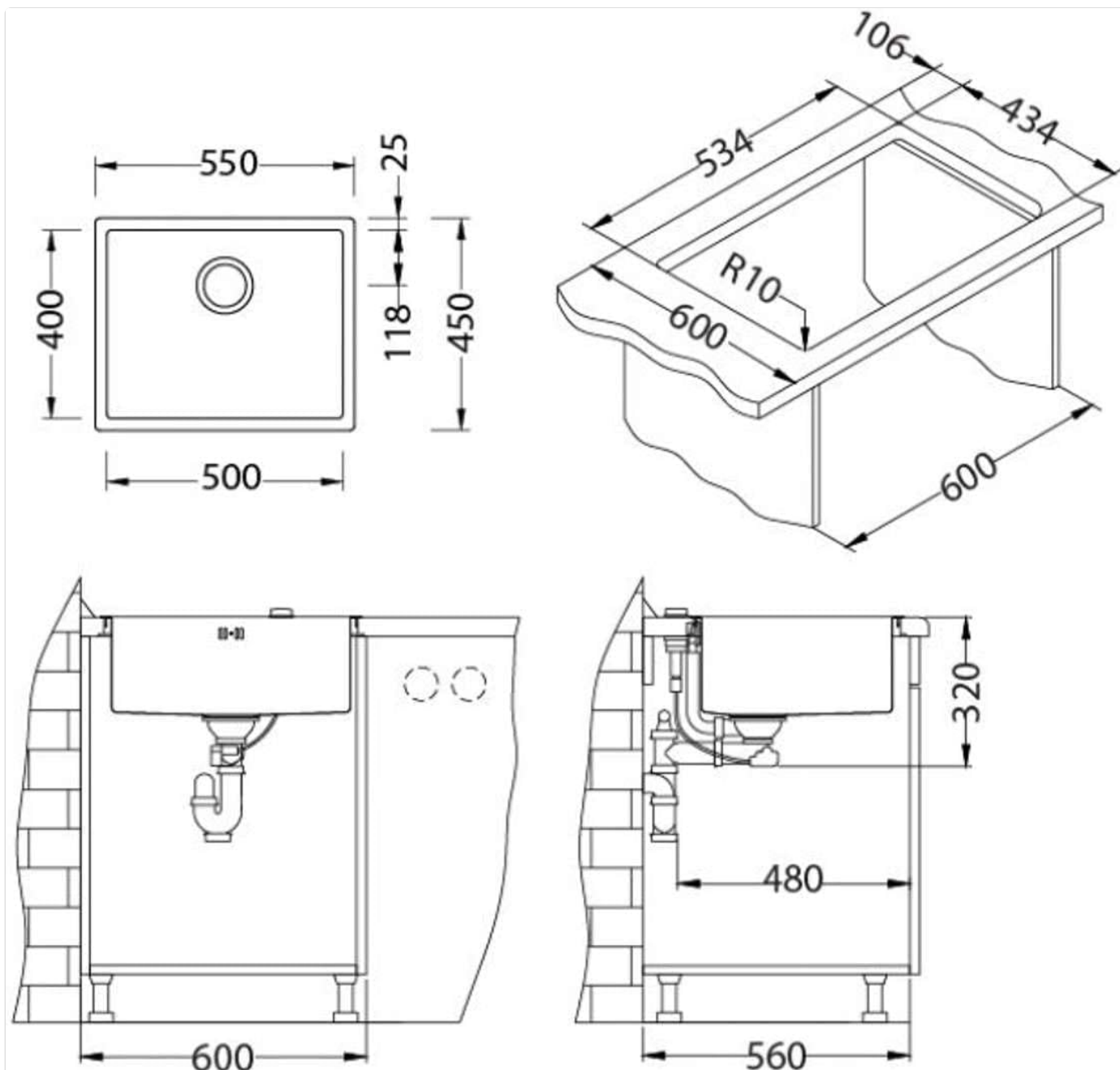


Figure 2: Technical drawing of the Alveus QUADRIX 50 sink, showing detailed dimensions for installation. This includes top view, side view, and cross-section, indicating measurements such as 550mm x 450mm overall dimensions, 500mm x 400mm bowl dimensions, and a minimum cabinet width of 600mm.

## 5. OPERATING THE SINK

The Alveus QUADRIX 50 sink operates like any standard kitchen sink. Simply turn on your faucet to use. The included drain plug allows you to fill the sink with water for washing or soaking. Ensure the drain plug is properly seated to prevent water from draining.

## 6. MAINTENANCE AND CARE

To maintain the pristine appearance and longevity of your Alveus QUADRIX 50 gold PVD stainless steel sink, follow these care instructions:

- **Daily Cleaning:** After each use, rinse the sink thoroughly with warm water and wipe it dry with a soft cloth to prevent water spots and mineral buildup.
- **Gentle Cleaners:** Use only mild dish soap or non-abrasive, pH-neutral cleaners. Apply with a soft sponge or cloth.

- **Avoid Harsh Chemicals:** Do not use abrasive cleaners, steel wool, scouring pads, bleach, ammonia-based cleaners, or any products containing chlorides, as these can damage the PVD finish and stainless steel.
- **Prevent Scratches:** Avoid dropping sharp or heavy objects into the sink. Use a sink grid if desired to protect the bottom surface.
- **Stain Removal:** For stubborn stains, a paste of baking soda and water can be gently applied and then rinsed thoroughly. Always test on an inconspicuous area first.

## 7. TROUBLESHOOTING

Problem	Possible Cause	Solution
Water leaking from drain connection	Loose connection, worn gasket, improper sealant application.	Tighten connections. Inspect and replace gaskets if necessary. Reapply plumber's putty or sealant.
Slow draining or clogged sink	Food particles, grease buildup, foreign objects in drain.	Remove drain plug and clear any visible debris. Use a drain snake or a non-corrosive drain cleaner. Avoid pouring grease down the drain.
Water spots or discoloration on sink surface	Hard water minerals, improper drying after use, residue from cleaning agents.	Wipe sink dry after each use. Use a solution of vinegar and water for mineral deposits, then rinse thoroughly. Ensure only recommended cleaners are used.

## 8. SPECIFICATIONS

Feature	Detail
Model Number	1103382
Material	PVD Stainless Steel
Finish / Color	Polished Gold
Overall Dimensions (L x W x H)	550 x 450 x 220 mm (21.65 x 17.72 x 8.66 inches)
Bowl Dimensions (L x W x D)	500 x 400 x 200 mm (19.69 x 15.75 x 7.87 inches)
Weight	7.5 kg (16.5 lbs)
Minimum Base Cabinet Width	600 mm (23.6 inches)
Drain Opening Size	3 1/2 inches
Drain Type	Plug / Grid
Installation Type	Undermount
Number of Bowls	1
ASIN	B07YDM3NVS
GTIN (UPC)	03838997444708

## 9. WARRANTY AND SUPPORT

---

### 9.1 Warranty Information

The Alveus QUADRIX 50 kitchen sink comes with a **30-year warranty** against manufacturing defects. This warranty covers defects in material and workmanship under normal use and service. It does not cover damage resulting from improper installation, misuse, abuse, accident, neglect, or the use of abrasive or corrosive cleaning agents.

### 9.2 Customer Support

For technical assistance, warranty claims, or replacement parts, please contact Alveus customer support. Refer to the official Alveus website or your purchase documentation for the most current contact information.

When contacting support, please have your model number (1103382) and proof of purchase readily available.