

## Manuals+

[Q & A](#) | [Deep Search](#) | [Upload](#)

### Manuals.plus /

- › [Cooluli](#) /
- › [Cooluli 15L Mini Fridge \(Model CL15L2T\) Instruction Manual](#)

## Cooluli CL15L2T

# Cooluli 15L Mini Fridge (Model CL15L2T) Instruction Manual

Your comprehensive guide to setup, operation, and maintenance.

## INTRODUCTION

---

Thank you for choosing the Cooluli 15L Mini Fridge. This versatile thermoelectric cooler and warmer is designed for convenience and portability, perfect for various settings including bedrooms, offices, cars, and dorm rooms. It offers both cooling and warming functions, making it ideal for storing food, drinks, skincare products, and medications. Please read this manual thoroughly before use to ensure proper operation and safety.

## IMPORTANT SAFETY INSTRUCTIONS

---

- Read all instructions before operating the appliance.
- Do not cover fan vents to prevent overheating.
- Ensure proper ventilation around the unit.
- Keep the appliance away from heat sources and direct sunlight.
- Do not immerse the unit in water or other liquids.
- Unplug the appliance before cleaning or when not in use.
- Do not use the appliance if the power cord or plug is damaged.
- Keep out of reach of children.
- Use only the provided AC and DC power cords.

## PACKAGE CONTENTS

---

Your Cooluli 15L Mini Fridge package should include the following items:

- Cooluli 15L Mini Fridge Unit
- AC Power Cord
- DC Power Cord (for car use)

- User Manual



*Image: Rear view of the Cooluli 15L Mini Fridge showing the power input ports and included AC and DC power cords.*

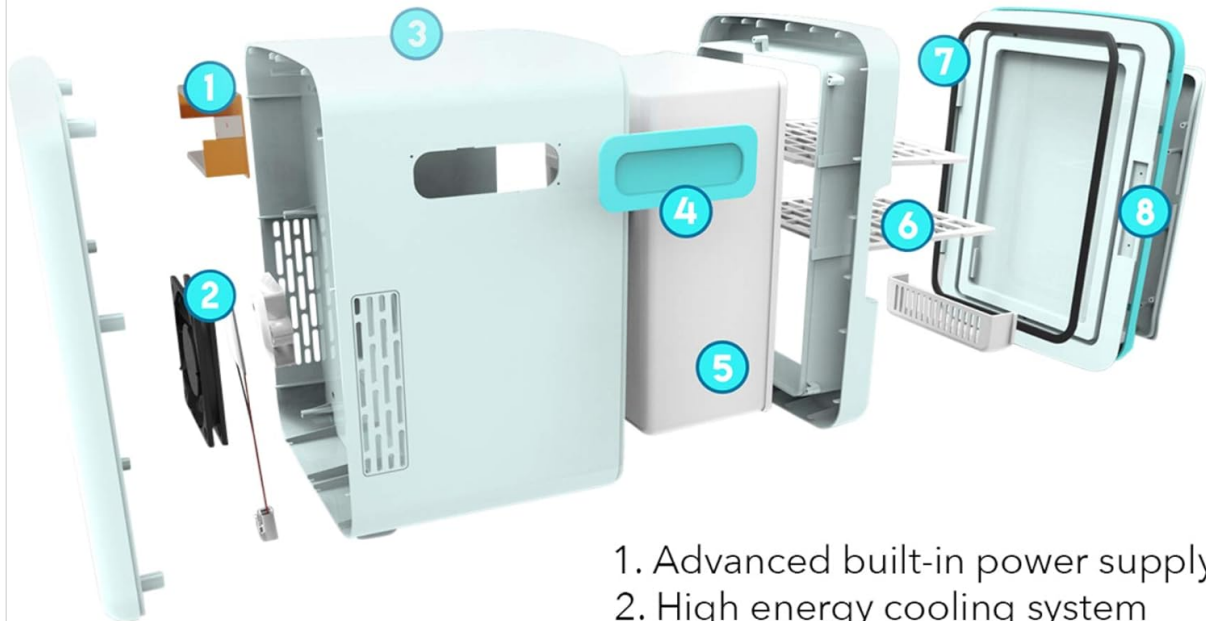
## PRODUCT FEATURES

- **Capacity:** 15 Liters, capable of holding multiple beverages or skincare items.
- **Dual Functionality:** Easily switch between cooling (approximately 35-40°F below ambient temperature) and warming (up to 149°F on internal thermostat) modes.
- **Dual Voltage:** Operates on both 100-240V AC (for home/office) and 12V DC (for car use).
- **EcoMax Technology:** Designed for minimum energy consumption and frost prevention.
- **Portable Design:** Lightweight with integrated side handles for easy transport.
- **Removable Shelves:** Adjustable interior for flexible storage options.
- **Secure Door:** Magnetic seal ensures tight closure and consistent temperature.



*Image: A woman organizing various skincare products inside the Cooluli 15L Mini Fridge, highlighting its use for beauty and cosmetic storage.*

# Cooluli



1. Advanced built-in power supply
2. High energy cooling system
3. Hard ABS plastic shell
4. Side carrying handle
5. Food grade storage tank
6. Removable shelves
7. Sealing for insulation
8. Self-locking door

*Image: An exploded diagram illustrating the internal components of the Cooluli 15L Mini Fridge, including the power supply, cooling system, ABS shell, carrying handle, food-grade storage tank, removable shelves, sealing, and self-locking door.*

## SETUP

1. **Unpack:** Carefully remove the mini fridge and all accessories from the packaging.
2. **Placement:** Place the unit on a flat, stable surface, ensuring adequate ventilation around all sides, especially the back where the fan vents are located. Avoid placing it near heat sources or in direct sunlight.
3. **Power Connection:**
  - **For AC (Home/Office):** Connect the AC power cord to the AC port on the back of the fridge, then plug it into a standard wall outlet (100-240V).
  - **For DC (Car):** Connect the DC power cord to the DC port on the back of the fridge, then plug it into your vehicle's 12V cigarette lighter socket.

Your browser does not support the video tag.

*Video: A detailed overview of the Cooluli 15L Mini Fridge, demonstrating its features, power options, and internal capacity.*

## OPERATING INSTRUCTIONS

1. **Power On:** Once connected to a power source, locate the switch on the back of the unit.
2. **Select Mode:**
  - **Cooling:** Slide the switch to the "COLD" position. The green indicator light will illuminate. Allow 30 minutes for the unit to reach its optimal cooling temperature.
  - **Warming:** Slide the switch to the "HOT" position. The red indicator light will illuminate. Allow 30 minutes for the unit to reach its optimal warming temperature.
  - **Off:** Slide the switch to the "OFF" position to turn off the unit.
3. **Loading:** Place items inside the fridge. For best cooling results, pre-chill items before placing them in the unit.



Image: The interior of the Cooluli 15L Mini Fridge, showcasing its capacity filled with various food items and beverages, including milk cartons, soda cans, and fruit containers.

Your browser does not support the video tag.

Video: A comprehensive demonstration of all features of the Cooluli 15L Mini Fridge, including its cooling and warming capabilities, internal layout, and portability.

## MAINTENANCE

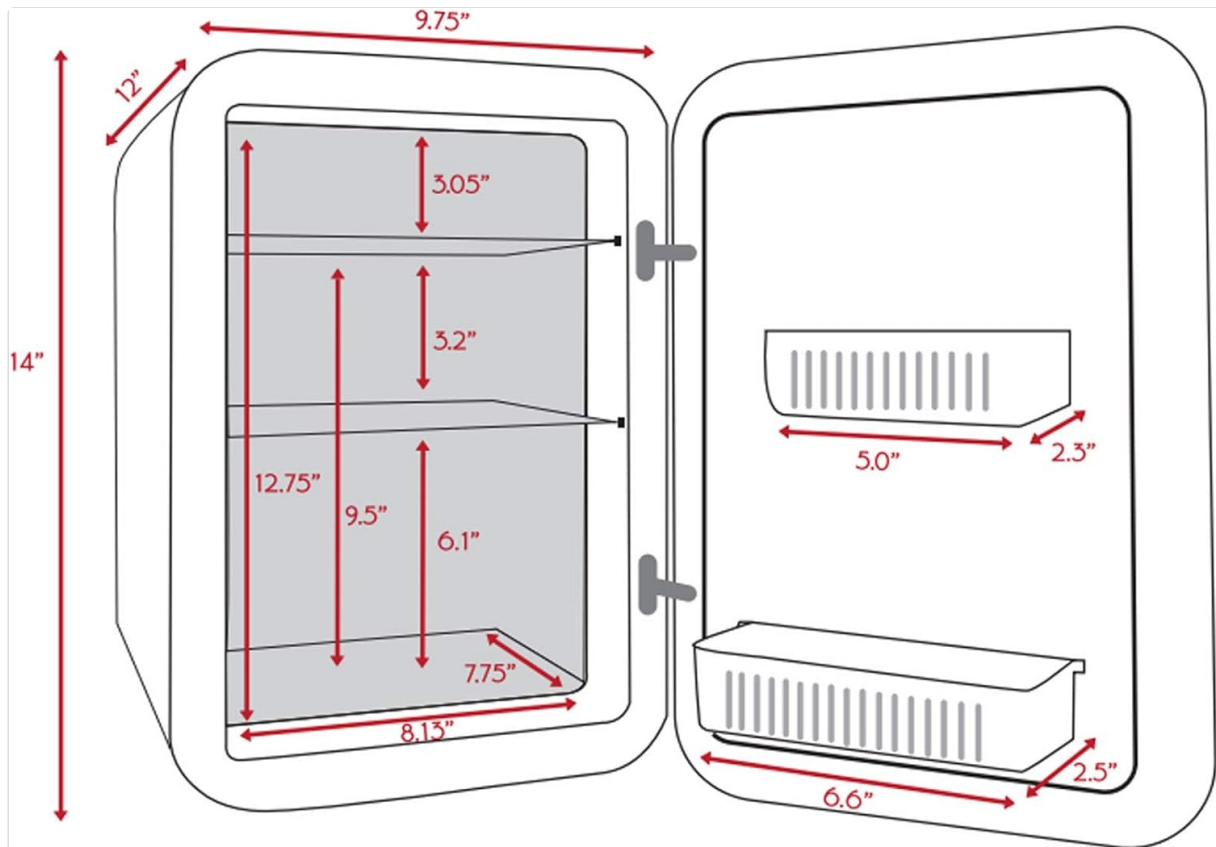
- **Cleaning:** Disconnect the power cord. Wipe the interior and exterior surfaces with a soft, damp cloth and mild detergent. Do not use abrasive cleaners or immerse the unit in water.
- **Defrosting:** The unit features manual defrost. If frost builds up, turn off the fridge and allow the frost to melt naturally. Wipe away any excess water.
- **Ventilation:** Regularly check that the fan vents on the back are clear of dust and debris to ensure efficient operation.

## TROUBLESHOOTING

Problem	Possible Cause	Solution
Unit not powering on	No power supply; loose connection	Check power cord connection; try a different outlet.
Not cooling/warming effectively	Blocked vents; incorrect mode selected; ambient temperature too high/low	Clear fan vents; ensure correct mode (COLD/HOT) is selected; move unit to a more suitable environment.
Excessive condensation/frost	Frequent door opening; high humidity; manual defrost needed	Limit door openings; perform manual defrost as needed.

## SPECIFICATIONS

Feature	Detail
Model Name	Classic
Model Number	CL15L2T
Capacity	15 Liters
Product Dimensions (D x W x H)	10"D x 12"W x 14"H
Item Weight	4.8 Kilograms (approx. 10.6 lbs)
Cooling Method	Thermoelectric
Voltage	100-240V AC / 12V DC
Annual Energy Consumption	133 Kilowatt Hours Per Year
Color	Teal (Note: Other colors may be available)



# Cooluli

*Image: A diagram illustrating the external and internal dimensions of the Cooluli 15L Mini Fridge, including shelf measurements.*

## WARRANTY AND SUPPORT

All Cooluli products come with a **1-year limited warranty** from the date of purchase. This warranty covers defects in materials and workmanship under normal use. It does not cover loss, theft, water damage, or customer misuse/abuse.

For customer service and support, please refer to the contact information provided in your product packaging or visit the official Cooluli website. Our team is available to assist with any questions or issues you may encounter.

Your browser does not support the video tag.

*Video: A brief product summary video highlighting the key benefits and features of the Cooluli 15L Mini Fridge.*