

[Manuals.plus](#) /

› [LEGO](#) /

› [LEGO Technic Mobile Crane 42108 Instruction Manual](#)

LEGO 42108

LEGO Technic Mobile Crane 42108 Instruction Manual

Model: 42108 | Brand: LEGO

INTRODUCTION

This manual provides comprehensive instructions for the assembly and operation of the LEGO Technic Mobile Crane 42108. Designed for enthusiasts of construction machinery, this model offers an engaging building experience and functional features that replicate a real mobile crane.

The LEGO Technic Mobile Crane 42108 features an 8-wheel steering system, four individually controlled outriggers for stability, two operator cabins, and a telescopic arm with a functional hoist. Understanding these mechanisms is key to both the construction and interactive play with the model.



Image: The LEGO Technic Mobile Crane 42108 in its fully assembled state, showcasing its yellow and black design with the boom extended.

WHAT'S IN THE BOX

The LEGO Technic Mobile Crane 42108 package contains all necessary LEGO Building Elements to construct the model. Please ensure all parts are present before beginning assembly.

- LEGO Building Elements (1292 pieces)
- Instruction Manual (this document refers to the digital version)



Image: A child and an adult engaged in the assembly process of the LEGO Technic Mobile Crane, with various building elements spread on a table.

SETUP AND ASSEMBLY

Assembly of the LEGO Technic Mobile Crane 42108 requires careful attention to the included step-by-step building instructions. The model consists of 1292 pieces, offering a challenging and rewarding construction experience.

1. **Unpack Components:** Carefully open the packaging and sort the LEGO Building Elements. It is recommended to organize pieces by type or color to facilitate the building process.
2. **Follow Instructions:** Refer to the detailed graphical instructions provided in the physical manual. Each step

illustrates the placement of specific pieces.

3. **Verify Connections:** Ensure all connections are secure and pieces are firmly pressed together to maintain the structural integrity and functionality of the model.
4. **Test Mechanisms:** As you build, periodically test the moving parts, such as the steering, outriggers, and boom, to ensure they operate smoothly.



Image: An overhead view showing various LEGO Technic pieces laid out on a wooden surface, indicating the initial stages of assembly.

OPERATING INSTRUCTIONS

The LEGO Technic Mobile Crane 42108 is designed with several functional features that mimic a real mobile crane. Familiarize yourself with these operations for optimal interaction.

1. Steering the Vehicle

The mobile crane features an advanced 8-wheel steering system, allowing for precise maneuverability. Use the designated controls to steer the vehicle to its desired location.

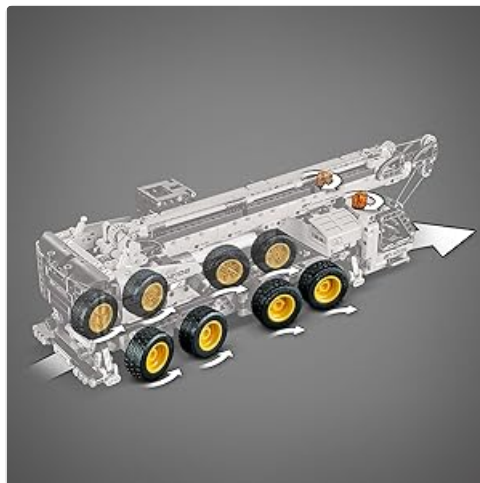


Image: A diagram illustrating the 8-wheel steering capability of the LEGO Technic Mobile Crane, highlighting the movement of the wheels.

2. Deploying Outriggers

For stability during lifting operations, the crane is equipped with four individually controlled outriggers. These must be extended and lowered to secure the crane in place before raising the boom or lifting loads.

1. Locate the controls for the outriggers on the crane chassis.

2. Extend each outrigger outwards from the vehicle body.
3. Lower the outrigger feet until they firmly contact the ground, providing a stable base.



Image: The back of the product box, featuring a diagram that demonstrates the deployment of the crane's outriggers for stabilization.

3. Operating the Boom and Hoist

The crane's primary function involves raising and extending its telescopic arm and operating the hoist to lift and move objects.

1. **Raise the Boom:** Use the control mechanism to elevate the main boom to the desired angle.
2. **Extend the Telescopic Arm:** Once the boom is raised, extend the telescopic sections to reach greater heights.
3. **Operate the Hoist:** Use the winch control to lower the hook, attach the load (e.g., the concrete pillar

accessory), and then raise or lower it as needed.

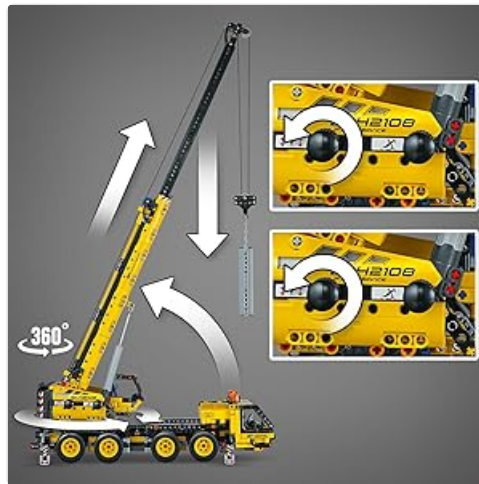


Image: A diagram illustrating the boom's ability to extend telescopically and rotate 360 degrees, demonstrating its operational range.



Image: A detailed view of the crane's hook and hoist system, showing the chain and lifting mechanism.

Your browser does not support the video tag.

Video: An official video demonstrating the various functions and movements of the LEGO Technic Mobile Crane 42108, including boom operation and hoisting.

MAINTENANCE

To ensure the longevity and continued functionality of your LEGO Technic Mobile Crane 42108, follow these general maintenance guidelines:

- **Cleaning:** Dust the model regularly with a soft, dry cloth. For deeper cleaning, use a mild soap solution and rinse with clear water, then air dry. Avoid harsh chemicals.
- **Storage:** Store the model in a cool, dry place away from direct sunlight to prevent discoloration and material degradation.
- **Part Integrity:** Periodically check for any loose or damaged pieces. Replace any broken elements to maintain structural integrity and playability.
- **Lubrication:** LEGO Technic elements generally do not require lubrication. If mechanisms feel stiff, ensure all connections are correctly aligned and free of debris.

TROUBLESHOOTING

If you encounter issues during assembly or operation, consider the following troubleshooting steps:

- **Missing Pieces:** Double-check all packaging and sorting areas. If a piece is genuinely missing, contact LEGO Customer Service for assistance.
- **Stiff Mechanisms:** Review the assembly steps for the affected section. Incorrectly placed or misaligned pieces can cause friction. Disassemble and reassemble carefully.
- **Model Instability:** Ensure all outriggers are fully deployed and firmly supporting the crane. Verify that all structural connections are secure.
- **Incorrect Functionality:** Refer back to the specific assembly steps for the non-functioning part. A small error in gear placement or pin connection can prevent proper operation.

SPECIFICATIONS

Brand	LEGO
Model Name	Mobile Crane 42108
Model Number	42108
Number of Pieces	1292
Material Type	Acrylonitrile Butadiene Styrene
Item Dimensions (LxWxH)	13.94 x 14.88 x 4.65 inches
Item Weight	4.19 Pounds
Recommended Age	10+ years (Manufacturer Minimum Age: 120 months)

WARRANTY AND SUPPORT

LEGO products are manufactured to high-quality standards. For information regarding product warranty, missing parts, or further support, please visit the official LEGO customer service website or contact their support team directly.

Official LEGO Website: www.lego.com

Customer Service: Refer to the contact information provided on the LEGO website for your region.

