



[Manuals.plus](#) /

› [Lippert Components](#) /

› Lippert PSX1 High-Speed RV Power Stabilizer Jack System (Model 337199) User Manual

Lippert Components 337199

Lippert PSX1 High-Speed RV Power Stabilizer Jack System User Manual

Model: 337199

1. PRODUCT OVERVIEW

The Lippert PSX1 High-Speed RV Power Stabilizer Jack System is designed to provide quick and efficient stabilization for recreational vehicles and travel trailers. This system features automatic adjustment capabilities, allowing each leg to independently adapt to uneven terrain. Constructed from heavy-gauge, powder-coated steel, it offers durability and reliable performance.

Key features include:

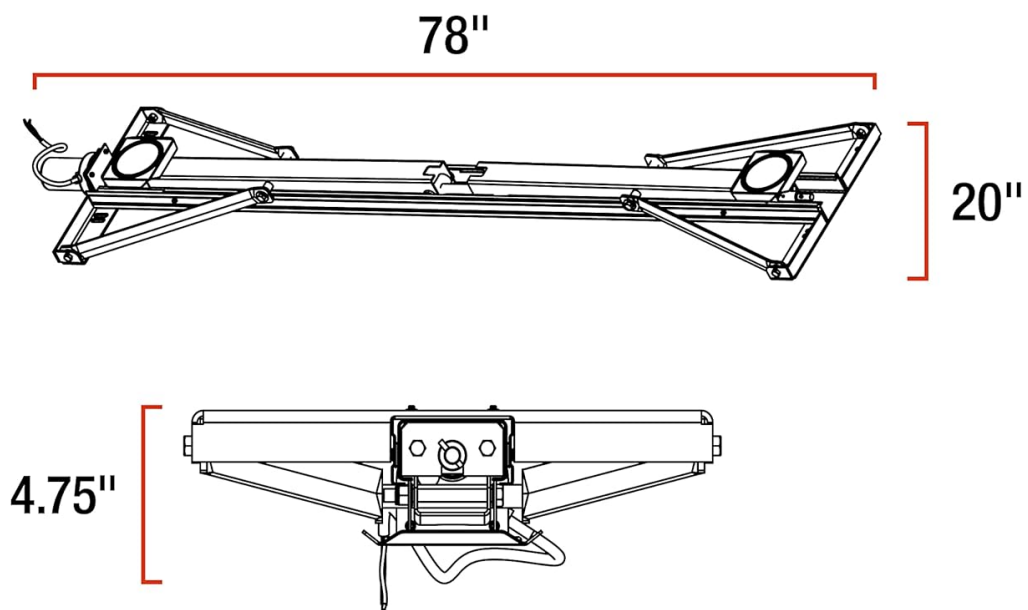
- **High-Speed Operation:** Reduces setup time compared to manual jacks.
- **Automatic Adjustment:** Each leg adjusts independently for optimal stabilization on varied surfaces.
- **Durable Construction:** Made with heavy-gauge steel, embossed legs, and a powder-coat finish for longevity.
- **Integrated Breaker Technology:** Protects the system from damage due to circuit overload and helps prevent side-to-side movement during operation.



Image 1.1: The Lippert PSX1 High-Speed RV Power Stabilizer Jack System.

APPROXIMATE DIMENSIONS

Technical specifications



LIPPERT

Image 1.2: Diagram highlighting features such as 30-inch lift range, heavy-duty embossed legs, and durable powder coat finish.

2. SAFETY INFORMATION

Read and understand all instructions before installing or operating the PSX1 Power Stabilizer. Failure to follow these instructions could result in serious injury or property damage.

- Always ensure the RV is parked on a level surface and the wheels are chocked before operating the stabilizer.
- Keep hands and feet clear of moving parts during operation.
- Do not exceed the maximum weight capacity of the stabilizer.
- Inspect the stabilizer for any damage or loose connections before each use.
- Disconnect power to the stabilizer before performing any maintenance or repairs.
- This stabilizer is designed for stabilization only, not for lifting the RV for tire changes or maintenance.

3. INSTALLATION AND SETUP

Installation of the PSX1 Power Stabilizer typically involves mounting the unit to the RV frame and connecting it

to the vehicle's electrical system. Professional installation is recommended.

3.1 Pre-Installation Checks

- Verify that the mounting location on the RV frame is structurally sound and clear of obstructions.
- Ensure adequate clearance for the stabilizer's extension and retraction.
- Confirm that the RV's electrical system can support the power requirements of the stabilizer.

3.2 Mounting the Stabilizer

The stabilizer unit is typically bolted to the RV frame. It is recommended to temporarily connect the wiring to activate the motor and lower the jack legs, allowing for easier positioning and bolting of the unit to the frame. Ensure all bolts are securely tightened.

3.3 Electrical Connection

Connect the stabilizer's wiring to the RV's 12V DC power supply. Ensure proper polarity and secure all connections. The integrated breaker technology will protect against overloads.



Image 3.1: An RV with the PSX1 Power Stabilizer System installed and deployed.

4. OPERATING INSTRUCTIONS

The PSX1 Power Stabilizer is designed for ease of use, providing quick stabilization with minimal effort.

4.1 Extending the Stabilizer Legs

1. Ensure the RV is parked and chocked.
2. Locate the stabilizer control switch (if applicable, this model is 'No Switch' variant, so control would be via an external panel or remote).
3. Activate the switch to extend the stabilizer legs. The system will automatically adjust each leg until it makes firm contact with the ground and provides optimal stabilization.

4. Observe the legs as they extend to ensure they are not obstructed.

4.2 Retracting the Stabilizer Legs

1. Before moving the RV, ensure all stabilizer legs are fully retracted.
2. Activate the control switch to retract the stabilizer legs.
3. Confirm that the legs are fully stowed and clear of the ground before driving.



Image 4.1: A user operating a stabilizer control switch. Note: This specific model is 'No Switch' variant, implying control via an external panel or remote.

Your browser does not support the video tag.

Video 4.1: Official Lippert Components video demonstrating the PSX1 High-Speed Stabilizer in operation.

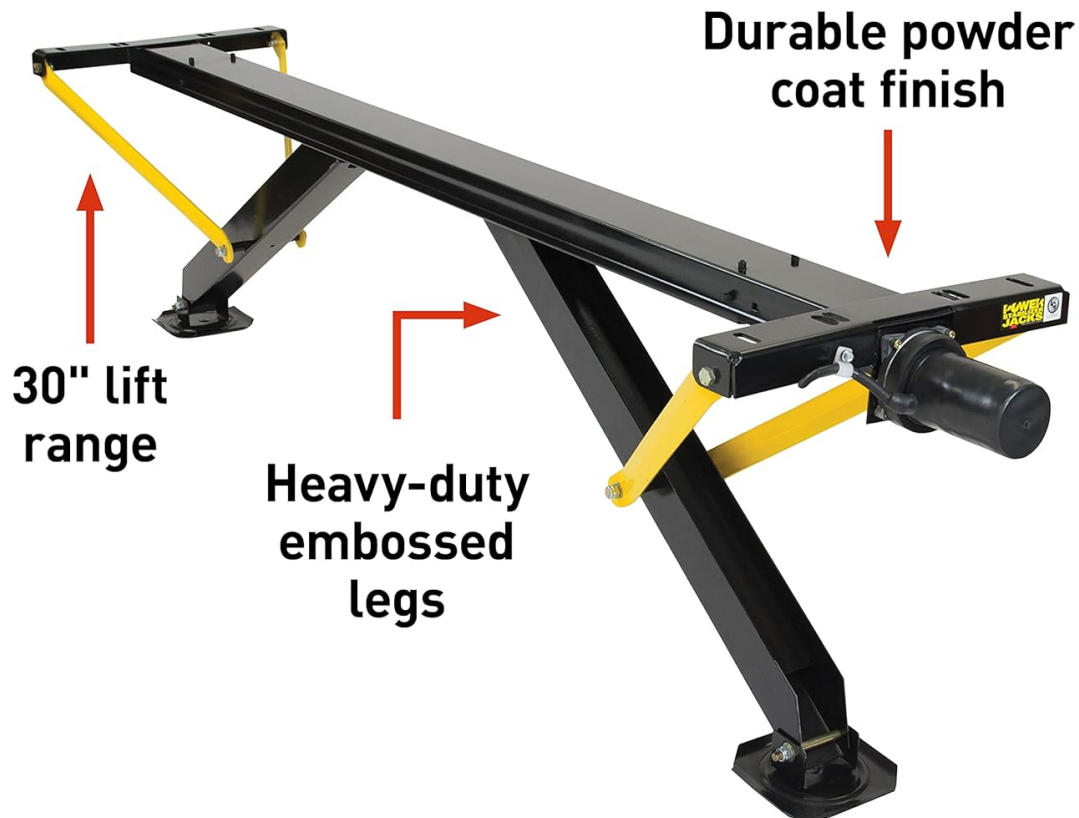
5. MAINTENANCE

Regular maintenance ensures the longevity and proper functioning of your PSX1 Power Stabilizer.

- **Cleaning:** Keep the stabilizer legs and moving parts free from dirt, mud, and debris. Clean with mild soap and water.

- **Lubrication:** Periodically lubricate the moving parts, such as the screw drive and pivot points, with a suitable lubricant to ensure smooth operation.
- **Inspection:** Regularly inspect all electrical connections for corrosion or damage. Check mounting bolts for tightness.
- **Storage:** When storing the RV for extended periods, ensure the stabilizer legs are clean and fully retracted.

FEATURES & BENEFITS



LIPPERT

Image 5.1: Close-up view of the heavy-duty embossed legs, emphasizing durable construction.

6. TROUBLESHOOTING

This section addresses common issues you might encounter with your PSX1 Power Stabilizer.

6.1 Stabilizer Not Operating

- **Check Power:** Ensure the RV's 12V DC power supply is active and connected to the stabilizer.
- **Breaker Tripped:** The PSX1 is equipped with an integrated breaker. If the circuit is overloaded, the breaker may trip. Reset the breaker if necessary.
- **Loose Connections:** Inspect all electrical connections for looseness or corrosion.

6.2 Uneven Stabilization

- The system is designed for automatic adjustment. If stabilization is uneven, ensure the ground beneath the legs is not excessively soft or unstable.
- Verify that the stabilizer is properly mounted and not damaged.

6.3 Unusual Noises During Operation

- **Lack of Lubrication:** Lubricate moving parts as described in the Maintenance section.
- **Obstruction:** Check for any debris or obstructions interfering with the legs or motor.



Representative Image



Image 6.1: The PSX1 stabilizer legs demonstrating rugged versatility and automatic adjustment on varied terrain.

7. SPECIFICATIONS

Detailed specifications for the Lippert PSX1 High-Speed RV Power Stabilizer Jack System.

Specification	Value
Model Number	337199

Brand	Lippert Components
Material	Alloy Steel
Color	Black
Item Dimensions (L x W x H)	79 x 6.25 x 19 inches
Vehicle Service Type	Trailer
Included Components	Power Stabilizer



Image 7.1: Diagram showing approximate dimensions of the PSX1 stabilizer: 78 inches long, 20 inches wide, and 4.75 inches high when retracted.

8. WARRANTY AND SUPPORT

8.1 Manufacturer's Warranty

The Lippert PSX1 High-Speed RV Power Stabilizer Jack System comes with a **1-Year Manufacturer Warranty**. Please retain your proof of purchase for warranty claims.

8.2 Customer Support

For technical assistance, troubleshooting, or warranty inquiries, please contact Lippert Components customer support. Refer to the official Lippert website or your product packaging for the most current contact information.