

Manuals+

[Q & A](#) | [Deep Search](#) | [Upload](#)

[manuals.plus](#) /

› [PIONEER](#) /

› [Pioneer FH-S722BS Double Din CD Receiver User Manual](#)

PIONEER FH-S722BS

Pioneer FH-S722BS Double Din CD Receiver User Manual

Model: FH-S722BS | Brand: PIONEER

INTRODUCTION

This manual provides essential instructions for the setup, operation, and maintenance of your Pioneer FH-S722BS Double Din CD Receiver. Designed for enhanced in-car audio, this receiver offers seamless connectivity, versatile media playback, and superior sound quality. Please read this manual thoroughly before use to ensure proper installation and optimal performance.

SETUP AND INSTALLATION

Package Contents

Verify that all items are present in the package:

- CD receiver (10A fuse)
- Wiring harness
- Microphone with bracket (attached 10' cable terminated by a right-angle 2.5mm connector)
- 12 Installation Screws
- Quick Start Guide

Installation Considerations

The FH-S722BS is a Double DIN receiver. Ensure your vehicle's dashboard opening is compatible with a 4-inch tall unit for proper fitment. Professional installation is recommended for optimal performance and safety.



Superior Sound Without Compromise

COMPATIBLE WITH THE FOLLOWING FORMATS

AAC FLAC MP3 WAV WMA

Figure 1: Comparison of 1-DIN (2 inches tall) and 2-DIN (4 inches tall) receiver dimensions. The FH-S722BS is a 2-DIN unit.

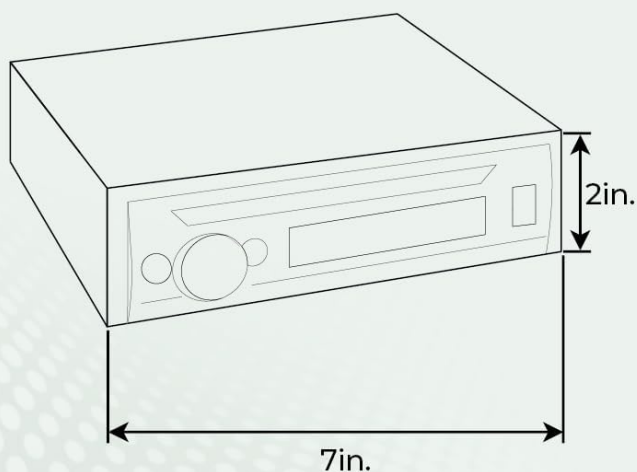
Wiring and Connections

Connect the included wiring harness to your vehicle's electrical system according to the wiring diagram in the Quick Start Guide. Ensure all connections are secure to prevent malfunctions. The rear panel provides various input/output options for system flexibility.

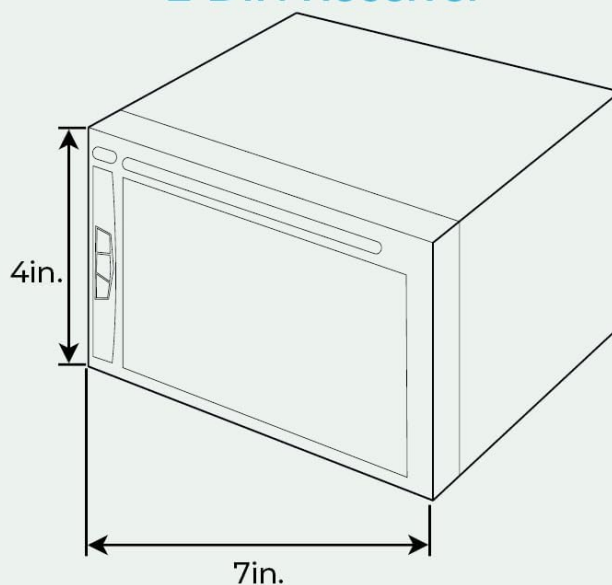
1-DIN vs. 2-DIN

The main difference is size. A **1-DIN receiver 2 inches tall**, while a **2-DIN receiver is 4 inches tall**— allowing for a larger display and more features.

1-DIN Receiver



2-DIN Receiver



Pioneer

Figure 2: Rear view of the FH-S722BS receiver, highlighting RCA preouts, antenna input, and other system connections for audio flexibility.

The front panel features a USB port and an auxiliary input for connecting portable devices.



Upgrade Your Ride

DOUBLE DIN CD RECEIVER

Figure 3: Front panel of the FH-S722BS, illustrating wireless Bluetooth and wired USB/AUX connectivity options.

OPERATING INSTRUCTIONS

The Pioneer FH-S722BS offers multiple ways to enjoy your audio and integrate with your smartphone.

Basic Controls

The receiver features a mechanical knob for volume control and push buttons for various functions. The display provides information on the current source, radio frequency, and time.



Figure 4: Front panel layout of the FH-S722BS, showing the display, control knobs, and buttons for source selection and audio adjustments.

Bluetooth Connectivity

Pair your smartphone wirelessly via Bluetooth for hands-free calling and audio streaming. This allows you to make and receive calls safely and stream music from your device.

USB and Auxiliary Inputs

Connect smartphones, MP3 players, or USB drives to the front USB port or auxiliary input. The USB port supports MP3, WMA, and WAV audio formats and can also charge your device.

Pioneer Smart Sync App

Enhance your receiver's features by connecting your iOS or Android smartphone with the Pioneer Smart Sync app. This app provides an expanded interface for navigation, voice control, multimedia control, and vehicle performance monitoring (with an optional OBD-II device).



Easy & Fast Access to Your Media

WIRELESS & WIRED CONNECTIVITY



Figure 5: Pioneer Smart Sync app interface on a smartphone, showcasing integrated features for enhanced control and information.

SiriusXM-Ready

The FH-S722BS is SiriusXM-Ready. A SiriusXM tuner (sold separately) and subscription are required to access over 140 channels of music, sports, news, and entertainment.

Advanced Sound Retriever

This feature restores audio details lost during digital compression, providing clearer and more dynamic sound reproduction for a superior listening experience.

Product Overview Video

Your browser does not support the video tag.

Video 1: A comprehensive overview of the Pioneer FH-S722BS CD Receiver, demonstrating its key features and functionalities including Bluetooth, USB, AUX, and CD playback.

Pioneer Smart Sync App Overview Video

Your browser does not support the video tag.

Video 2: An overview of the Pioneer Smart Sync app version 4.0, detailing its exclusive new features, improved Bluetooth connectivity, customizable widgets, and vehicle performance monitoring capabilities.

MAINTENANCE

Cleaning the Unit

Wipe the unit's front panel with a soft, dry cloth. For stubborn dirt, dampen the cloth with water or a mild, non-abrasive cleaner. Avoid using harsh chemicals or abrasive materials, as they can damage the surface.

CD Player Care

Handle CDs by their edges to prevent scratches. Keep the CD slot free of dust and debris. If the CD player malfunctions, try using a commercially available CD lens cleaner.

TROUBLESHOOTING

If you experience issues with your FH-S722BS receiver, refer to the following common solutions:

- **No Power:** Check the vehicle's fuse box and the receiver's inline fuse. Ensure the wiring harness is correctly connected.
- **No Sound:** Verify speaker connections. Check audio source selection and volume levels. Ensure the mute function is not activated.
- **Bluetooth Connection Issues:** Ensure Bluetooth is enabled on both the receiver and your smartphone. Delete previous pairings and attempt to re-pair the devices.
- **USB Device Not Recognized:** Ensure the USB device is formatted correctly (FAT16/FAT32) and contains compatible audio files. Try a different USB device.
- **CD Playback Errors:** Check the CD for scratches or dirt. Ensure the CD is inserted correctly.

For persistent issues, consult the full operation manual or contact Pioneer customer support.

SPECIFICATIONS

Feature	Specification
Model Number	FH-S722BS
Product Dimensions	6.5 x 7 x 3.88 inches
Item Weight	2.9 pounds
Brand	PIONEER
Connectivity Technology	USB, Bluetooth
Controller Type	Mechanical knob, Push Button
Special Feature	Built-In Bluetooth
Compatible Devices	Apple iPhone, Smartphone
Connector Type	RCA
Audio Encoding	Stereo
Audio Output Mode	Stereo

Feature	Specification
Surround Sound Channel Configuration	5.1
Color	Black
Manufacturer	Pioneer Corporation

WARRANTY AND SUPPORT

For warranty information, please refer to the documentation included with your product or visit the official Pioneer website. For technical support, product inquiries, or service, please contact Pioneer customer support directly.

Important Safety Information: Read the operation manual as well as all instructions and cautions before use. Pay attention to the road, limit glances to the device, and do not use any feature if it cannot be operated both safely and legally in your location and environment. Distracted driving may result in serious injury, including death.