



[Manuals.plus](#) /

> [SIEMENS](#) /

> Siemens SN436S00LE iQ300 Built-in Dishwasher User Manual

SIEMENS SN436S00LE

Siemens SN436S00LE iQ300 Built-in Dishwasher User Manual

Model: SN436S00LE | Brand: SIEMENS

INTRODUCTION

Thank you for choosing the Siemens SN436S00LE iQ300 built-in dishwasher. This manual provides essential information for the safe and efficient operation, installation, and maintenance of your appliance. Please read this manual thoroughly before using the dishwasher for the first time and keep it for future reference.



Figure 1: Front view of the Siemens SN436S00LE iQ300 built-in dishwasher with the door slightly ajar, showcasing its sleek stainless steel design and integrated control panel.

SAFETY INFORMATION

Always observe the following safety instructions to prevent accidents and damage to the appliance.

- Read all instructions before use.
- This appliance is intended for domestic use only.
- Do not allow children to play with the appliance.

- Ensure the appliance is properly earthed.
- Do not operate the dishwasher if it is damaged. Contact authorized service personnel.
- Sharp items should be loaded with handles up to reduce the risk of cuts.
- Only use detergents and rinse aids specifically designed for dishwashers.
- The AquaStop feature provides protection against water damage.



Figure 2: AquaStop® icon, indicating the integrated water protection system for enhanced safety against leaks.

SETUP AND INSTALLATION

Unpacking and Inspection

Carefully remove the dishwasher from its packaging. Inspect the appliance for any transport damage. If damage is found, do not install or operate the appliance and contact your dealer immediately.



Figure 3: Interior of the dishwasher showing water droplets. This indicates that the appliance was thoroughly tested at the factory before shipment, and residual test water may be present.

Placement and Dimensions

The Siemens SN436S00LE is designed as a built-in appliance. Ensure adequate space and proper ventilation. Refer to the dimension diagram for precise measurements.

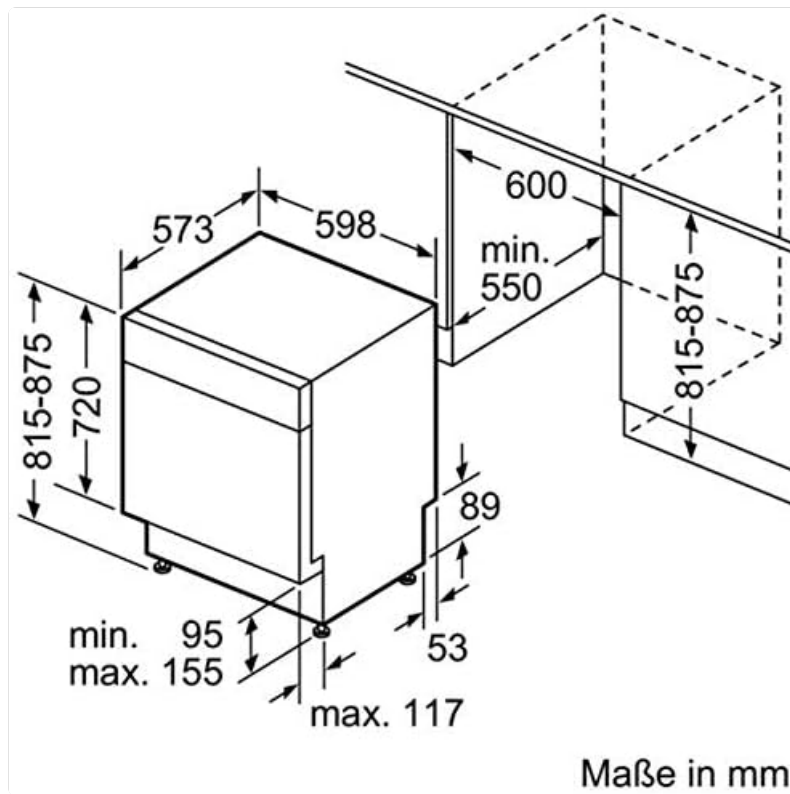


Figure 4: Detailed diagram showing the dimensions of the dishwasher in millimeters, crucial for proper built-in installation.

Note that custom furniture fronts are not included with the dishwasher and must be purchased separately to match your kitchen cabinetry.



Figure 5: Illustration of the dishwasher integrated into kitchen cabinetry, highlighting that the furniture front is not supplied with the appliance.

Water and Electrical Connections

Connect the water inlet and outlet hoses, and the power cable, according to local regulations and the provided diagram. Ensure all connections are secure to prevent leaks.

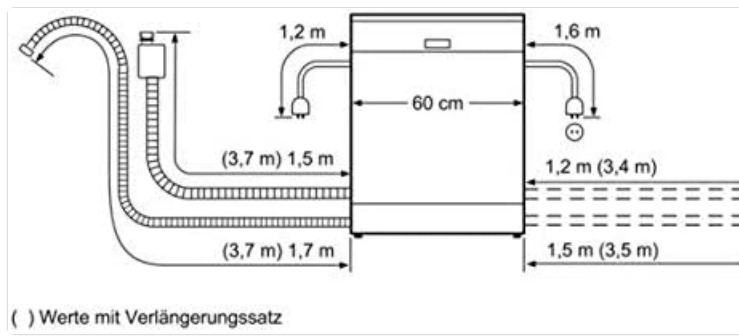


Figure 6: Diagram illustrating the water and electrical connection points and recommended hose lengths for installation.

Initial Setup

Before first use, you may need to adjust the water softener settings based on your local water hardness. Fill the salt and rinse aid dispensers as required.

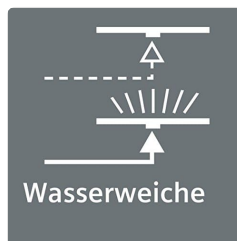


Figure 7: Water Softener icon, indicating the system that adjusts water hardness for optimal cleaning results and appliance longevity.

OPERATING INSTRUCTIONS

Control Panel Overview

The control panel provides access to all programs and functions. Familiarize yourself with the buttons and display indicators.



Figure 8: Close-up view of the dishwasher's control panel, showing program selection buttons, display, and indicators.

Loading the Dishwasher

Proper loading ensures optimal cleaning results and efficient use of water and energy. Utilize the flexible basket system and varioDrawer for various items.



Figure 9: Interior view of the dishwasher, showcasing the upper and lower baskets, along with the varioDrawer for cutlery.

- **varioFlex Basket System:** The flexible basket system allows for easy adjustment and loading of various dish sizes, including plates, glasses, and pots.

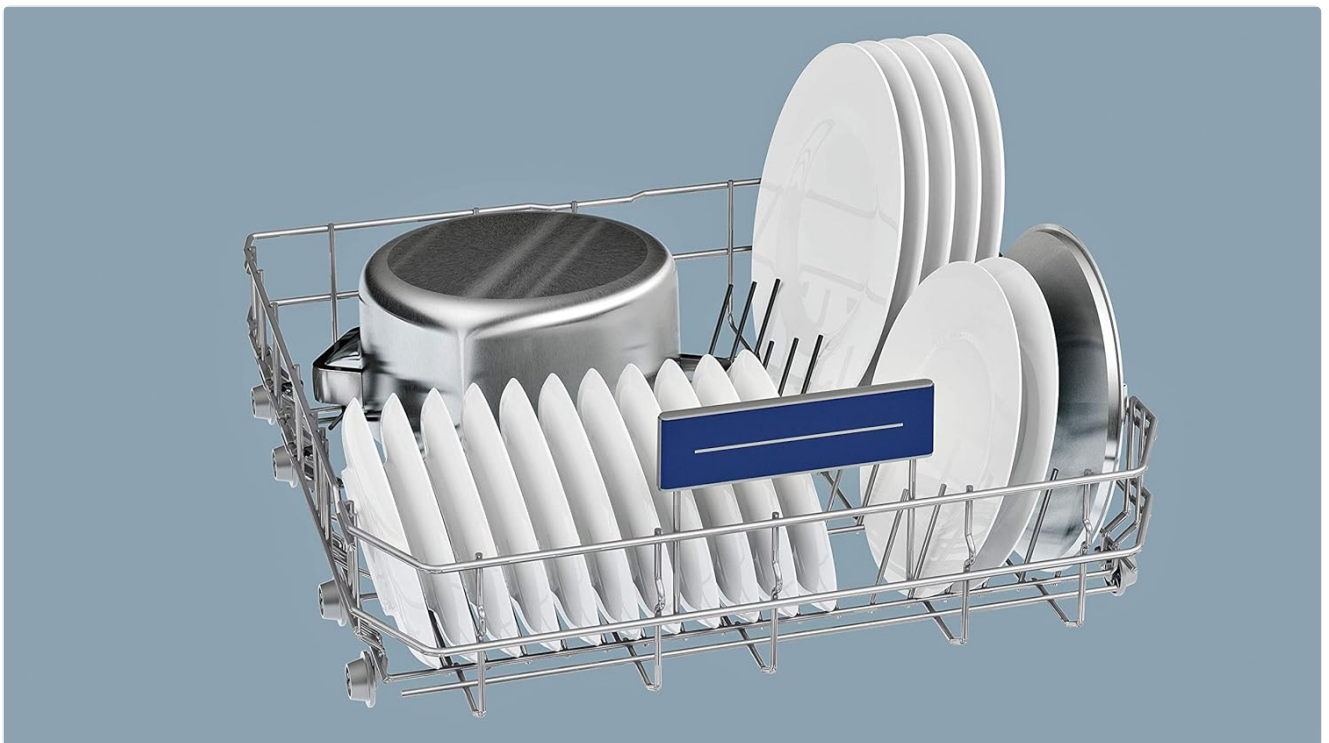


Figure 10: The lower basket of the varioFlex system, loaded with plates and a pot, demonstrating its capacity.

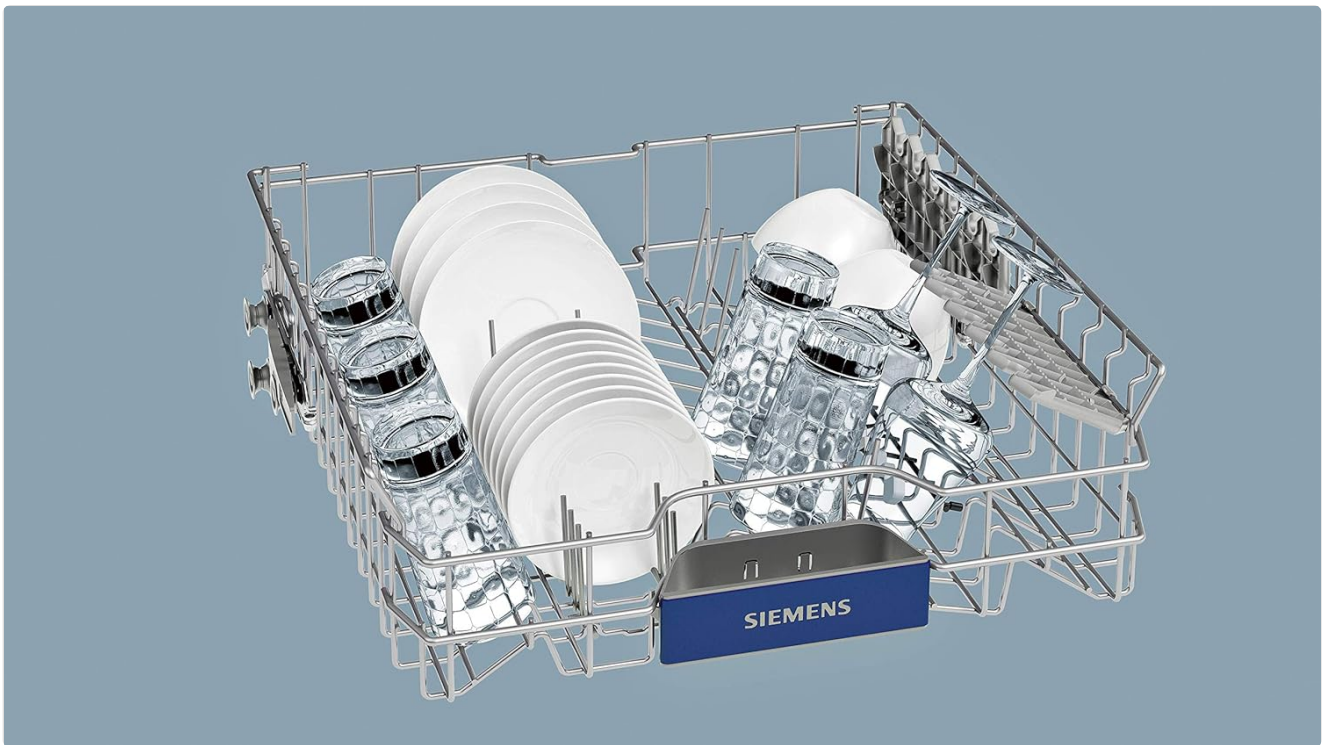


Figure 11: The lower basket, configured to hold both plates and glasses, highlighting the flexibility of the varioFlex system.



Figure 12: varioFlex Basket icon, representing the adaptable basket system for flexible loading.

- **varioDrawer:** The third loading level, ideal for cutlery and small items, freeing up space in the lower basket.



Figure 13: Close-up of the varioDrawer, specifically designed for organizing cutlery and small kitchen utensils.



Figure 14: varioDrawer icon, symbolizing the flexible third loading level for cutlery.

Adding Detergent

Use only dishwasher-specific detergent. The Dosing Assistant ensures optimal dissolution of the detergent tablet for perfect cleaning results.



Figure 15: Dosing Assistant icon, representing the feature that ensures optimal dissolution of detergent tablets.

Program Selection

Select the appropriate program based on the type and soil level of your dishes. The iQdrive motor ensures quiet and efficient operation.



Figure 16: iQdrive icon, symbolizing the efficient and quiet brushless motor.



Figure 17: Extremely Quiet 46 dB icon, highlighting the low noise level during operation.

- **varioSpeed Plus:** Reduces program running times by up to 66% with consistently sparkling cleaning and drying results.



Figure 18: varioSpeed Plus icon, indicating the option to significantly shorten program times.

- **Glass 40° Program:** A gentle program specifically designed for delicate glassware, ensuring sparkling results

without damage.



Figure 19: Glass 40° icon, representing the specialized program for gentle cleaning of delicate glasses.

- **Auto 45°-65° Program:** Automatically adjusts water consumption, temperature, and rinse time to the level of soiling.



Figure 20: Auto 45°-65° icon, indicating the automatic program that adapts to the load's needs.

- **1h Program:** A quick program for normally soiled dishes.

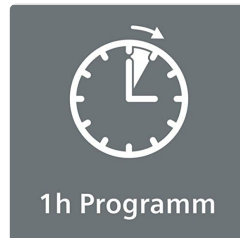


Figure 21: 1h Program icon, representing the quick one-hour wash cycle.

- **turboSpeed 20 min:** For very fast rinsing of lightly soiled dishes.

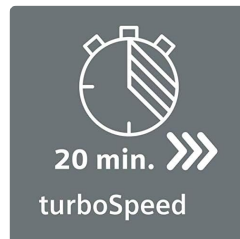


Figure 22: turboSpeed 20 min icon, indicating a very fast rinse cycle.

Drying Features

The dishwasher incorporates advanced drying technologies for optimal results.

- **Heat Exchanger:** Ensures hygienic and energy-efficient drying.



Figure 23: Heat Exchanger icon, representing the system for efficient and hygienic drying.

- **Extra Dry Plus:** An additional drying option for particularly difficult-to-dry items.



Figure 24: Extra Dry Plus icon, indicating an enhanced drying option.

- **Drying Class A:** Achieves excellent drying performance.



Figure 25: Drying Class A icon, signifying top-tier drying efficiency.

MAINTENANCE AND CARE

Regular maintenance ensures the longevity and optimal performance of your dishwasher.

- **Cleaning Filters:** Regularly check and clean the filter system at the bottom of the wash tub to prevent blockages and ensure efficient cleaning.
- **Refilling Salt and Rinse Aid:** Monitor the indicator lights for salt and rinse aid and refill as needed. This ensures optimal cleaning and drying results, especially in areas with hard water.
- **Machine Care Program:** Use the dedicated Machine Care program periodically to clean the interior of the dishwasher and remove grease and limescale deposits.



Figure 26: Machine Care icon, representing the program designed for cleaning and maintaining the dishwasher's interior.

- **Exterior Cleaning:** Wipe the exterior surfaces with a soft, damp cloth. Avoid abrasive cleaners.

TROUBLESHOOTING

Before contacting customer service, please refer to the following common issues and their potential solutions:

Problem	Possible Cause	Solution
Dishes are not clean	Improper loading, clogged spray arms, insufficient detergent, clogged filters.	Reload dishes correctly, clean spray arm nozzles, ensure proper detergent dosage, clean filters.
Water remains in the tub	Clogged drain hose or filter, blocked pump.	Clean filters and drain hose, check for obstructions in the pump area.

Problem	Possible Cause	Solution
Dishwasher does not start	Door not closed properly, power supply issue, program not selected.	Ensure door is latched, check power connection and circuit breaker, select a program and press start.
Unpleasant odor	Food residue, dirty filters, infrequent use of machine care program.	Clean filters, run a machine care program, ensure proper pre-rinsing of heavily soiled dishes.

TECHNICAL SPECIFICATIONS

Detailed technical specifications for the Siemens SN436S00LE iQ300 dishwasher:

Feature	Specification
Model Number	SN436S00LE
Brand	SIEMENS
Installation Type	Built-in
Capacity	13 Place Settings
Energy Efficiency Class (New)	E
Energy Consumption (per 100 cycles)	94 kWh
Water Consumption (per cycle)	7.5 Liters
Program Duration (Eco program)	4:10 (h:min)
Noise Level	46 dB(A)
Noise Emission Class	C
Product Dimensions (D x W x H)	57.3 x 59.8 x 81.5 cm
Item Weight	10 Kilograms
Voltage	230 V (AC)
Display Type	LED
Special Features	varioSpeed Plus, Glass 40, varioDrawer, varioFlex Basket System
Included Components	Siemens SN436S00LE Dishwasher

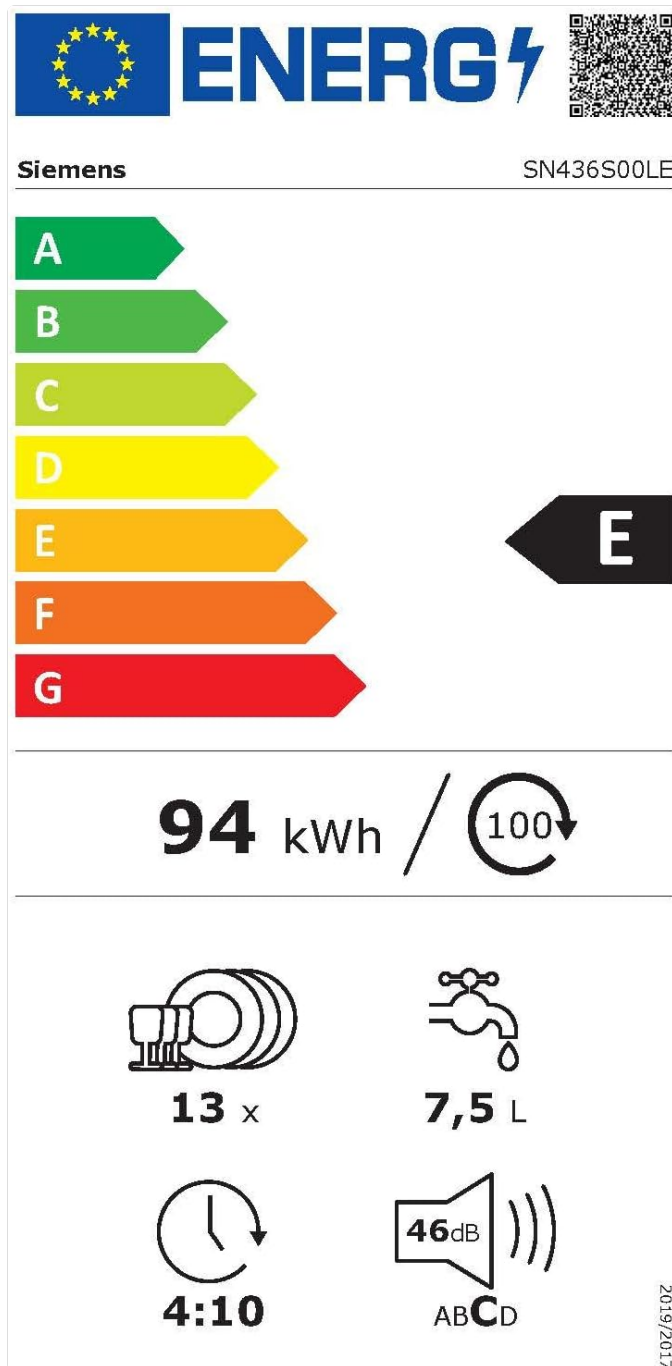


Figure 27: The new EU Energy Label for the Siemens SN436S00LE dishwasher, showing its energy efficiency class E, water consumption, and noise level.

For more detailed product information, refer to the official EU EPREL database: [HTTPS://EPREL.EC.EUROPA.EU/QR/233400](https://eprel.ec.europa.eu/qr/233400)

WARRANTY AND SUPPORT

Warranty Information

The Siemens SN436S00LE dishwasher comes with a manufacturer's guarantee of **2 years** from the date of purchase. Please retain your proof of purchase for warranty claims.

Customer Support

For technical assistance, spare parts, or warranty claims, please contact Siemens customer service. You can find contact information on the official Siemens website or through your local dealer.

For further information and support, visit the official Siemens Home Appliances website: <https://www.siemens-home.com/e-label>

