

Electraline 55082

Electraline 55082 Professional Schuko Plug Instruction Manual

Model: 55082

1. INTRODUCTION

This manual provides essential information for the safe and effective use of your Electraline 55082 Professional Schuko Plug. Designed for durability and ease of installation, this plug offers reliable electrical connections in various environments.

Key Features:

- Professional Schuko plug design.
- Equipped with a hermetically sealed cable locking ring for secure connections.
- Ergonomic design facilitates simple and quick manual assembly without specialized tools.
- Constructed from bi-materials: a robust polycarbonate (PC) central core and a thermoplastic rubber (TPR) coating, providing resistance to low temperatures, oils, and UV rays.
- IP54 rated, ensuring maximum protection against dust ingress and splashing water.
- Innovative wiring system minimizes the need for screwdrivers for cable clamping.
- Rubberized surface enhances grip and handling, even in challenging conditions like ice or snow.



Image 1.1: Electraline 55082 Professional Schuko Plug, showcasing its robust design.

2. SETUP AND INSTALLATION

Follow these steps to correctly wire and install your Electraline 55082 Professional Schuko Plug.

1. **Disassembly:** Unscrew the cable locking ring and separate the plug housing from the internal contact block.
2. **Cable Preparation:** Strip approximately 20mm of the outer insulation from your electrical cable. Then, strip about 5mm from the individual wire conductors (Live, Neutral, Earth).
3. **Wiring:** Insert the prepared wires into their corresponding terminals on the contact block. The plug is designed for tool-free cable clamping; ensure each wire is securely fastened. Typically, the Earth wire (green/yellow) connects to the central pin, and Live/Neutral wires connect to the side pins.
4. **Reassembly:** Carefully place the wired contact block back into the plug housing. Ensure no wires are pinched. Screw the cable locking ring back onto the housing, tightening it manually until the cable is firmly secured and sealed.

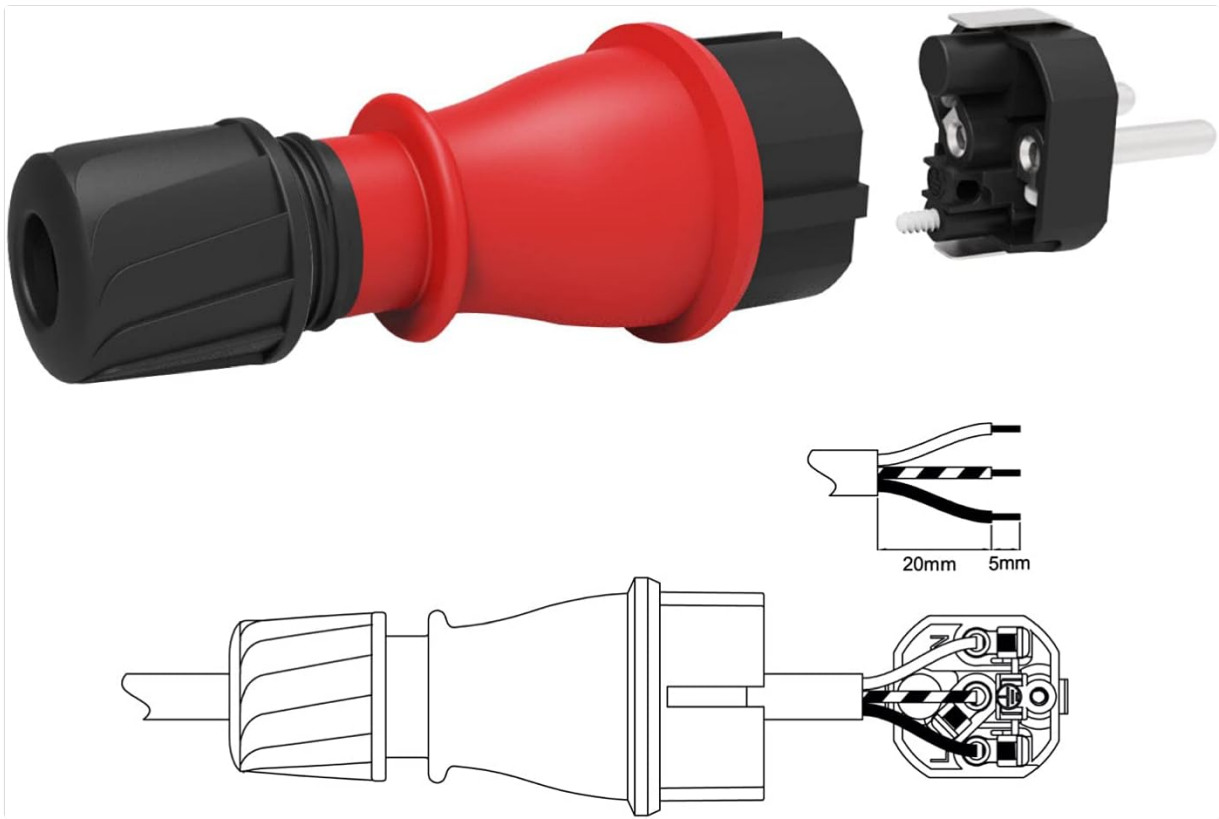


Image 2.1: Exploded view of the plug components and basic cable preparation guidelines.



Image 2.2: Detailed internal wiring diagram showing connection points for Live, Neutral, and Earth wires.

The innovative design allows for quick and secure wiring without the need for a screwdriver to tighten the cable clamp, enhancing installation efficiency.



Image 2.3: The plug connected to a cable, highlighting the secure cable entry and retainer screw.

3. OPERATING INSTRUCTIONS

Once properly wired and assembled, the Electraline 55082 Professional Schuko Plug is ready for use.

- Insert the plug firmly into a compatible Schuko socket.
- Ensure a snug fit to maintain proper electrical contact and IP54 protection.
- To disconnect, pull the plug directly from the socket. Avoid pulling by the cable.

The ergonomic design and rubberized surface provide a comfortable and secure grip during insertion and removal.



Image 3.1: Demonstrating the ergonomic handling of the plug.

4. MAINTENANCE

The Electraline 55082 Professional Schuko Plug is designed for minimal maintenance due to its robust construction and IP54 rating.

- **Cleaning:** Periodically wipe the exterior of the plug with a dry or slightly damp cloth to remove dust and dirt. Do not use harsh chemicals or abrasive cleaners.
- **Inspection:** Regularly inspect the plug and cable for any signs of damage, such as cracks, fraying, or discoloration. If damage is observed, discontinue use and replace the plug.
- **Environmental Protection:** The IP54 rating protects against dust and splashing water. While durable, avoid prolonged submersion or exposure to high-pressure water jets.

5. TROUBLESHOOTING

This section addresses common issues you might encounter with your Electraline 55082 Professional Schuko Plug.

- **No Power:**
 - Ensure the plug is fully inserted into the wall socket.

- Check the connected appliance for proper function.
 - Verify that the wall socket is live by testing with another appliance.
 - Inspect the plug's internal wiring to ensure all connections are secure and correct (refer to Section 2: Setup and Installation).
- **Loose Connection:**
 - If the cable feels loose within the plug, re-open the plug and re-tighten the cable locking ring and internal wire clamps.
 - **Physical Damage:**
 - If the plug housing or pins are visibly damaged, do not use the plug. Replace it immediately to prevent electrical hazards.

6. SPECIFICATIONS

| Feature | Detail |
|--------------------|--|
| Manufacturer | Electraline |
| Model Number | 55082 |
| Product Dimensions | 5 x 5 x 5 cm |
| Product Weight | 50 g |
| Color | Red |
| Material | Polycarbonate (PC), Thermoplastic Rubber (TPR) |
| Connector Type | Schuko |
| Number of Poles | 1 |
| Number of Wires | 3 |
| Plug Type | Plug |
| Product Category | Commercial |
| Specification Met | CE, IP54 |

7. WARRANTY AND SUPPORT

Information regarding product warranty and customer support for the Electraline 55082 Professional Schuko Plug was not provided in the source data. Please refer to the product packaging or the official Electraline website for details on warranty coverage and how to contact customer support.

